



**TRAXDA**  
Lift Kits - Made in USA

**Toll free: 888-660-5892**  
**email: info@traxda.com**

**SAFETY WARNING!**  
Always use the correct tools, and wear safety goggles. We **STRONGLY** recommend installation by a licensed mechanic on a properly secured locking lift.

**Traxda LLC, 810 E 19th Street**  
**Tucson, Arizona 85719**

**TIRE FITMENT ADVICE**

The best way to ensure proper tire fitment is to install the kit before purchasing your wheels and tires. Always test fit tires and wheels before purchasing.

**VEHICLE RIDE WARNING!**

Trucks with lift or level kits installed have a higher center of gravity. Aggressive and sudden direction changes may cause a tip over.

**903011 Toyota Tundra Leveling Kit**

- This kit contains:  
2 - Strut Caps  
1 - Hardware Pack  
1 - Differential Drop Kit  
Instructions  
Warranty Card  
Stickers



**Installation Tips**

**Always use caution handling ABS or wheel sensor wiring. Avoid tension of any kind on wiring harness as this may cause damage or failure.**

1. Trucks are often not level side to side from the factory. Please measure before installation.
2. Re-torque all hardware to manufactures specifications
3. When aligning, to get the best tire wear use our supplied specifications. OEM specifications are for trucks with stock wheels and tires. Larger tires will wear differently.
4. All instructions are written with vehicle on a 2-post lift with tires removed.

**Step 1**

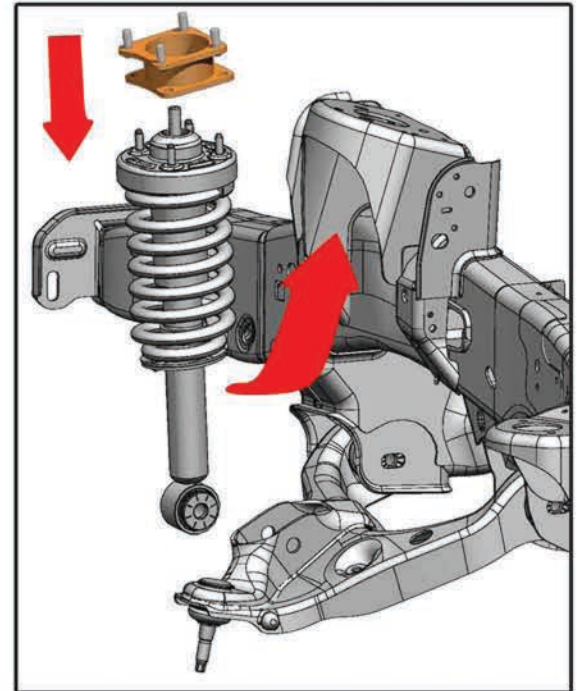
Loosen bolts attaching the lower control arm to frame. Disconnect lower sway bar link. Remove lower strut bolt and remove bolts at lower ball joint allowing the lower control arm to swing down and out of the way. Remove upper strut mount nuts and remove strut.

**Step 2**

Install TRAXDA spacer on the strut. Match curved side to "OUT" stamped on the strut. Reinstall strut in truck as shown in Figure A, top first and then lower bolt. Install the supplied spacers on the lower bump stops.

**Step 3**

To install the front differential drop, first remove the inspection cover. Support the differential with a jack, remove the 2 long front mounting bolts, Place the supplied 1" spacers between the mount and frame, secure using supplied long bolts and OEM nuts. Use the supplied 1/2" spacers to space the inspection cover away from the differential and reinstall inspection cover.



**Figure A:** Illustration is for reference only. Part dimensions will vary from kit to kit.

**Alignment notes:**

We recommend that a technician with experience doing alignments on lifted trucks perform the alignment. Large tires wear differently than OEM sized tires. Always do an alignment after changing tires on a vehicle.

	Left	Right
Caster (degrees)	2	2.25
Camber (degrees)	0	-1/4 or -.25
Toe	1/32 or .03125 inch toe in	
Special Tools	none	