



841 S. 71st Avenue • Phoenix, AZ 85043
(623) 907-0081
www.performanceaccessories.com

**CHEVY/GMC 1500 P/U GAS ENG.
NEW BODY STYLE
(INCLUDING AUTOMATIC TRANS
W/ ELECTRONIC 4WD)
3" BODY LIFT KIT
INSTALLATION INSTRUCTIONS
2007-2013 KIT# PA10193**

⚠ WARNING
Installation of a Performance Accessories body lift kit will change the vehicle's center of gravity and handling characteristics both on- and off-road. You must drive the vehicle safely! Extreme care must be taken to prevent vehicle rollover or loss of control, which could result in serious injury or death. Avoid sudden sharp turns or abrupt maneuvers and always make sure all vehicle occupants have their seat belts fastened.

⚠ WARNING
Before you install this kit, read and understand all instructions, warnings, cautions, and notes in this instruction sheet and in the vehicle owner's manual.

⚠ CAUTION
Proper installation of this kit requires knowledge of the factory recommended procedures for removal and installation of original equipment components. We recommend that the factory shop manual and any special tools needed to service your vehicle be on hand during the installation. Installation of this kit without proper knowledge of the factory recommended procedures may affect the performance of these components and the safety of the vehicle. We strongly recommend that a certified mechanic familiar with the installation of similar components install this kit.

⚠ WARNING
DO NOT combine suspension, body, or other lift devices. Use of vehicle with combined lifts may result in unsafe and/or unexpected handling characteristics.

⚠ WARNING
This kit should only be installed on a vehicle that is in good working condition. Before you install the kit, thoroughly inspect the vehicle for corrosion or deformation of the sheet metal around the factory body mounts. If the vehicle is suspected to have been in a collision or misused, do not install this kit. Off-road use of your vehicle with this kit installed may increase the stress applied to the factory body mounts. We do not recommend that any vehicle with a body lift kit installed be involved in any extreme off-road maneuvers such as jumping. Failure to observe this warning may result in serious personal injury and/or severe damage to your vehicle.

⚠ WARNING
Many states and municipalities have laws restricting bumper heights and vehicle lifts. Consult state and local laws to determine if the changes you intend to make to the vehicle comply with the law.

⚠ WARNING
The installation of larger tires may reduce the effectiveness of the braking system.

⚠ WARNING
Always wear eye protection when operating power tools.

⚠ WARNING
Before you install this kit, block the vehicle tires to prevent the vehicle from rolling.

⚠ WARNING
Accidental deployment of the air bag can result in serious personal injury or death. To avoid accidental deployment during installation of the kit, the Supplemental Restraint System (SRS, or airbag) must remain deactivated. Do not allow anyone near the airbag during installation. Refer to the factory service manual or owner's manual for the recommended procedure to disable the SRS. After you install the kit, reactivate the SRS before driving the vehicle.

NOTE
Performance Accessories recommends using the Loctite® supplied in the kit on the threads of all kit nuts and bolts unless specified otherwise in these instructions.

Before Starting Installation

NOTE
Kit parts are prefaced by the word *kit* and appear in **bold** print.

1. Carefully read all warnings and instructions completely before beginning.
2. Verify all parts have been received in this kit by checking the parts list at the end of this document.

NOTE
If parts are missing from kit, please be prepared to provide the following information:
1. **Name** of purchase location
2. **Bar Code** on side of box
3. **Date** above bar code
4. **Date** inside box cover
5. **Inspector #** from inside box cover

3. **Only install this kit on the vehicle for which it is specified.** If anytime during the installation you encounter something different from what is outlined in the instructions, call technical support at (928) 636-7080.
4. Special tools needed:
 - a. Die grinder or plasma torch capable of cutting metal.
 - b. 3/8", 7/16" and 9/16" drill bit
 - c. Center punch set
 - d. Telescoping magnet
 - e. *Welding required* (Manual Transfer Case Only)
5. Park vehicle on a clean, dry, flat, level surface and block tires so vehicle cannot roll in either direction.

Engine Compartment

1. Disconnect both battery cables. Disconnect negative cable first, then positive cable.
2. Airbag Fuse

NOTE
The location of the airbag fuse may vary; check the owner's manual.

- a. Remove fuse cover.
- b. Remove airbag fuse.

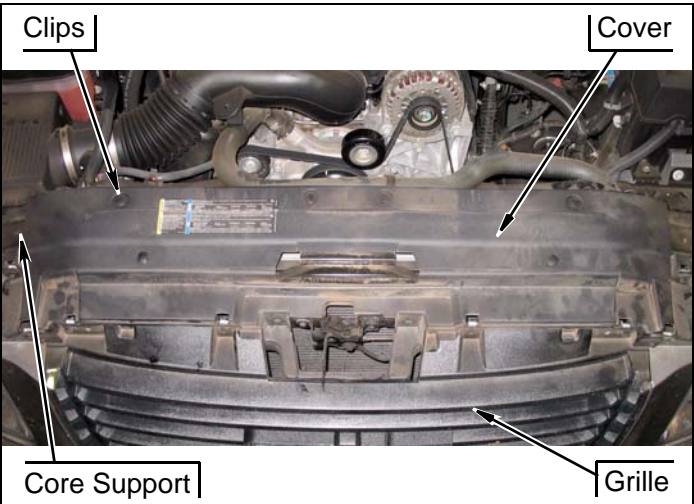
Prepare to Install Kit

Measurements

1. Measure and record distance between front bumper and fenders.
Driver Side _____ Passenger Side _____
2. Measure and record distance between rear bumper and bed
Driver Side _____ Passenger Side _____
3. Measure and record distance between cab and bed.
Driver Side _____ Passenger Side _____

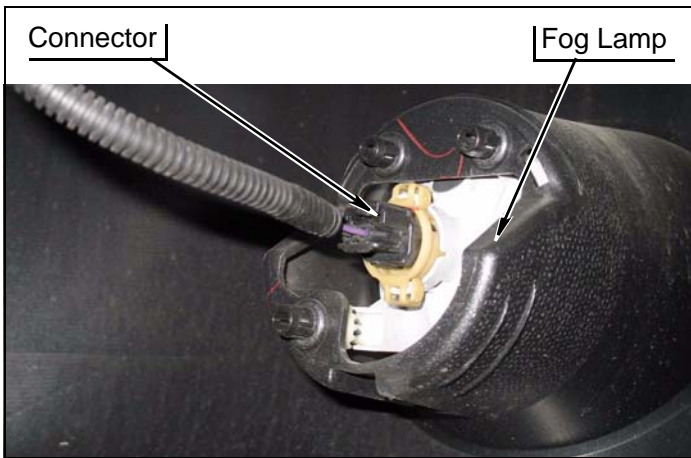
Front of Vehicle

1. Front Bumper
 - a. Remove clips and cover from core support and grill.

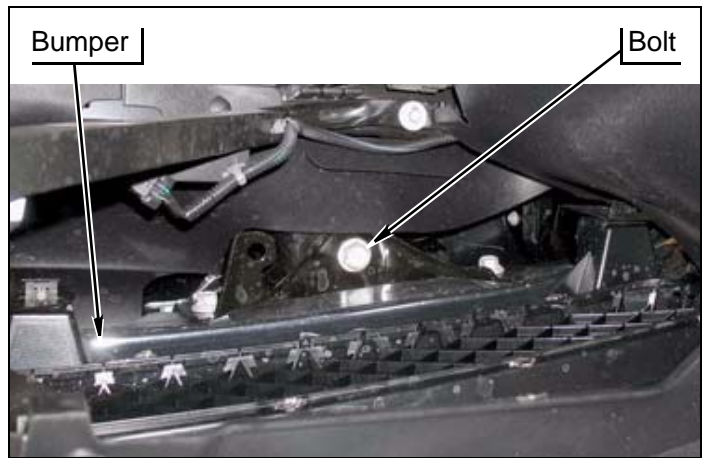


- b. Remove four screws from upper grill and unclip four lower clips from lower grill as you remove grill from core support.

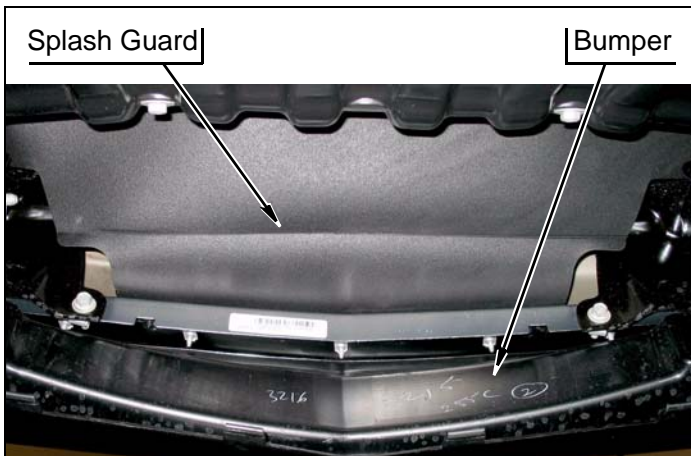
c. Disconnect two fog lamp connectors from fog lamps, if equipped.



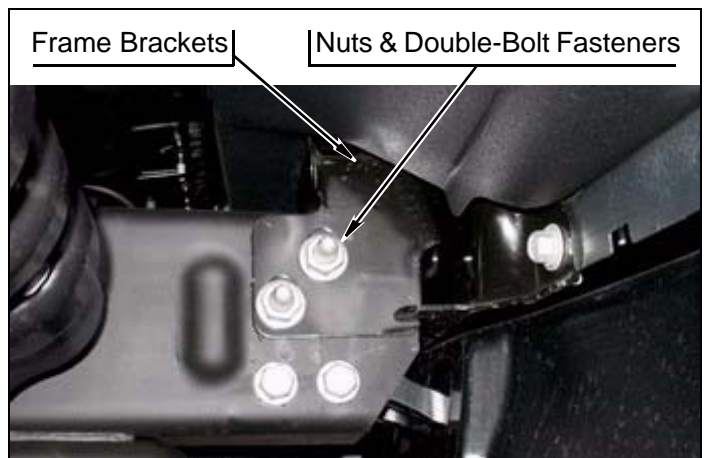
f. Remove two bolts and bumper from frame horns.



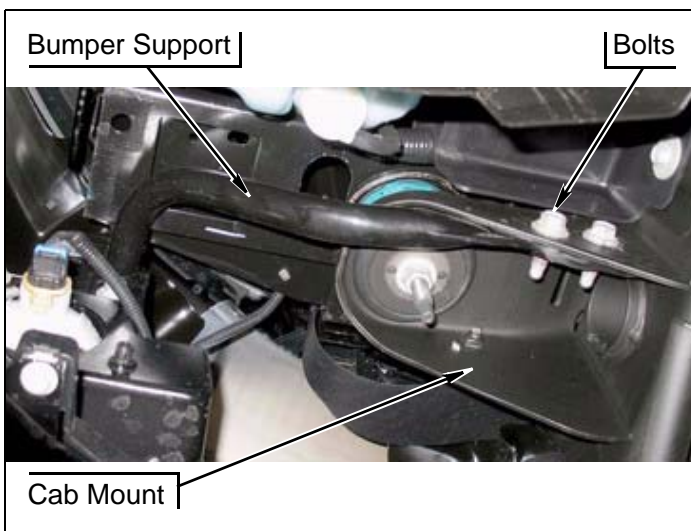
d. Remove clips and splash guard from bumper.



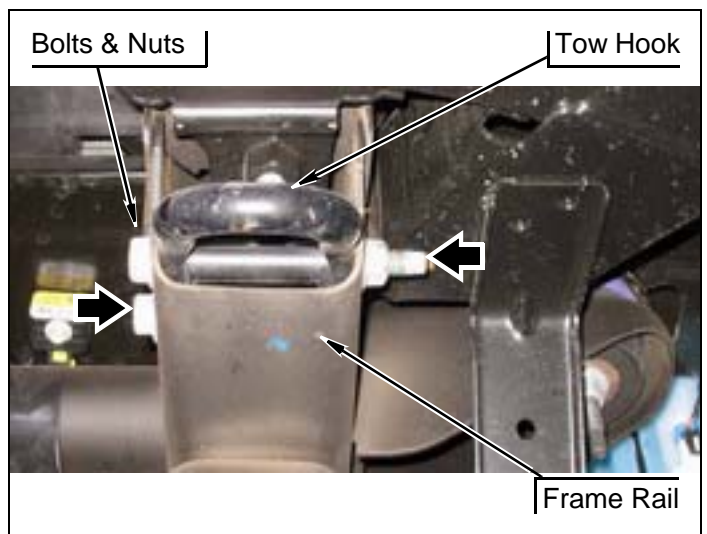
g. Remove four nuts, two double-bolt fasteners and two frame brackets from two frame horns.



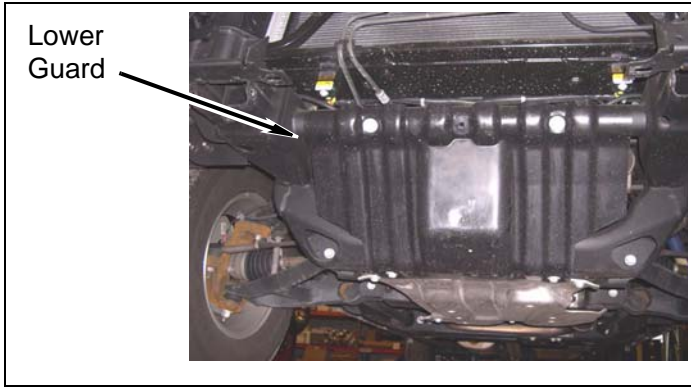
e. Remove four bolts and two bumper supports from two cab mounts.



h. Remove four bolts, two nuts and two tow hooks from frame horns.

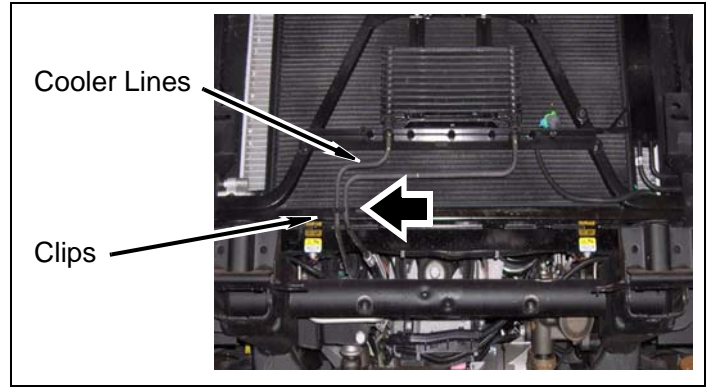


2. Lower guard



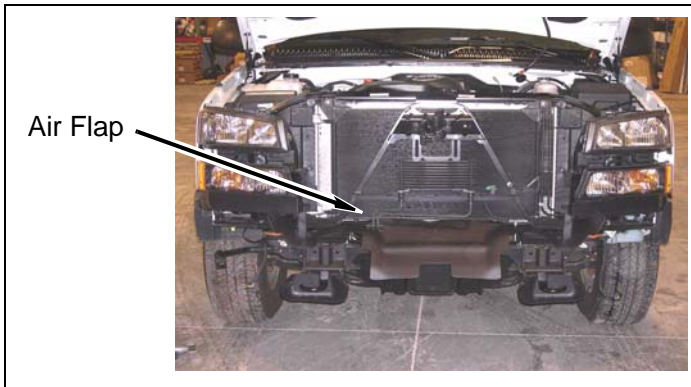
- a. Remove bolts attaching lower guard to core support and frame.
- b. Remove lower guard.

b. Remove cooler lines from core support clip.



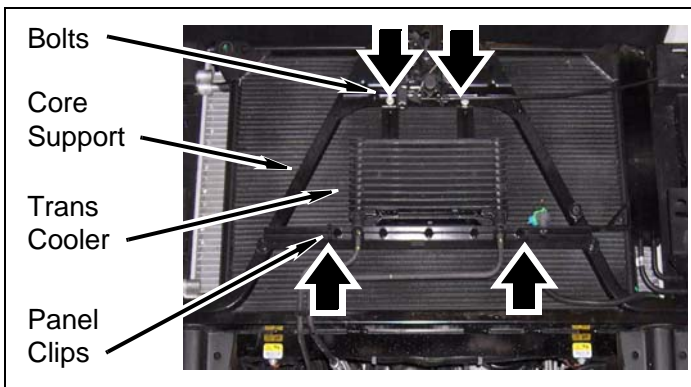
- c. Remove transmission cooler from core support and allow cooler to settle on frame.

3. Air flap



- a. Remove clips attaching air flap. Remove any wire harnesses from air flap
- b. Remove air flap.

4. Transmission cooler



- a. Remove two bolts and two panel clips attaching transmission cooler to core support.

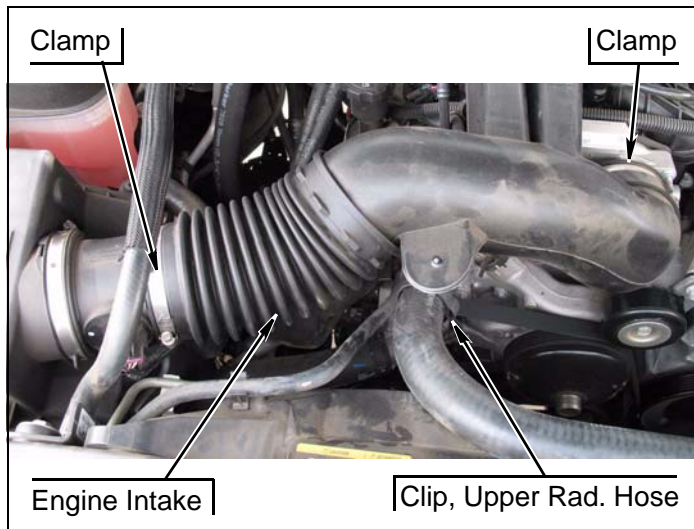
Engine Compartment

1. Airbox

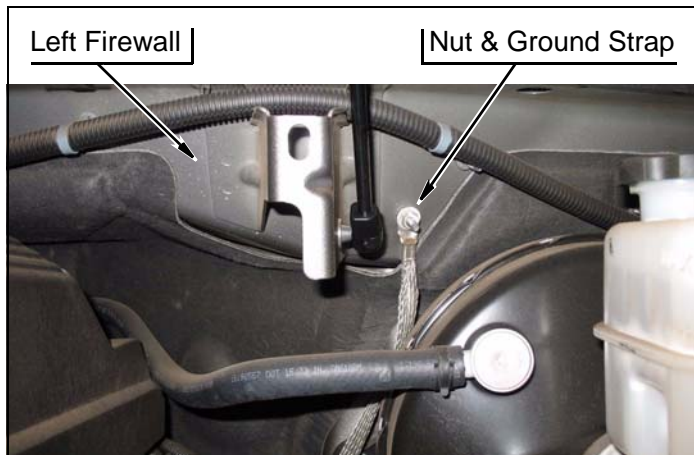
- a. Pull up and remove cover from engine.



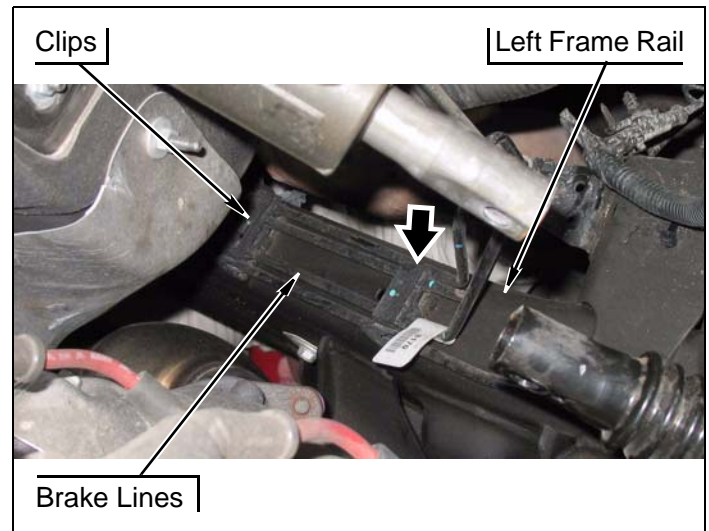
- b. Loosen two clamps on airbox and engine intake.
c. Remove clip and upper radiator hose from engine intake.



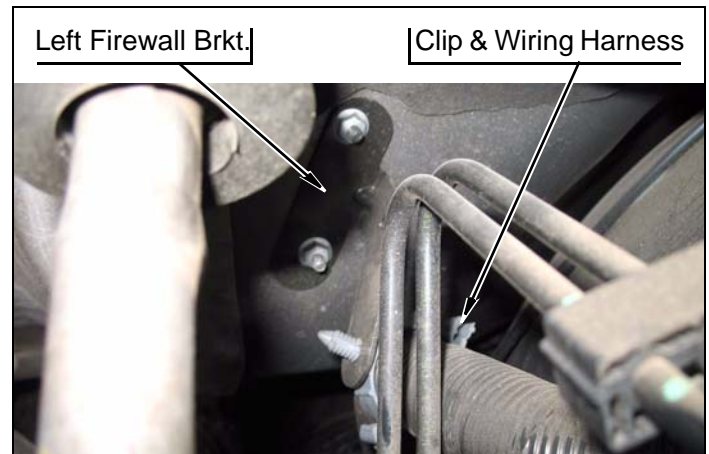
2. Remove nut and ground strap from left firewall.



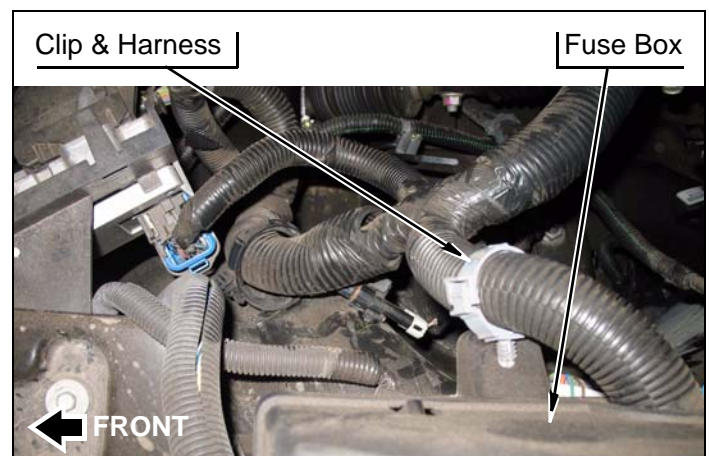
3. Remove brake lines from left frame rail and two clips.



4. Remove left harness and clip from left firewall bracket, below brake master cylinder.



5. Remove harness from left wheel well, below fuse box.
6. Remove harness and clip from fuse box.



7. Steering Shaft

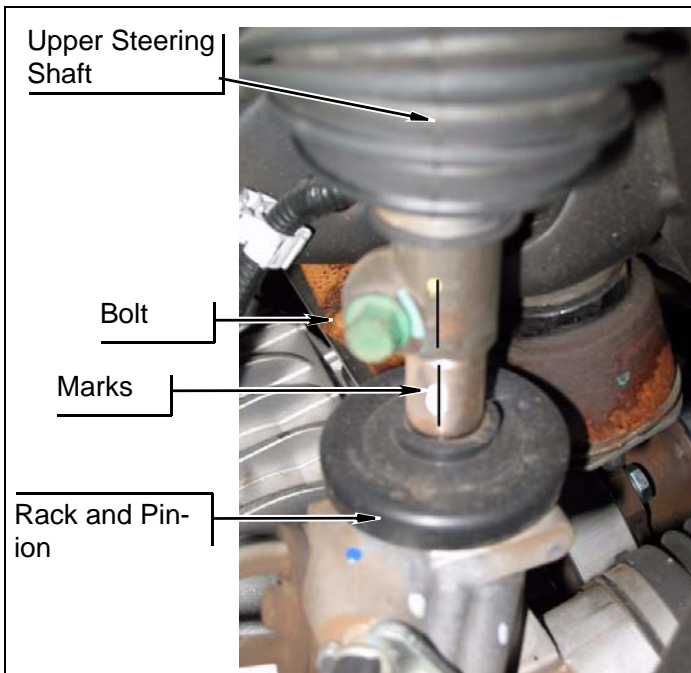
⚠ WARNING

Accidental deployment of the air bag can result in serious personal injury or death. To avoid accidental deployment during installation of the lift kit, the Supplemental Restraint System (SRS, or airbag) must remain deactivated. Do not allow anyone near the airbag during installation. Refer to the factory service manual or owner's manual for the recommended procedure to disable the SRS. After kit installation, the SRS must be reactivated before driving the vehicle.

⚠ CAUTION

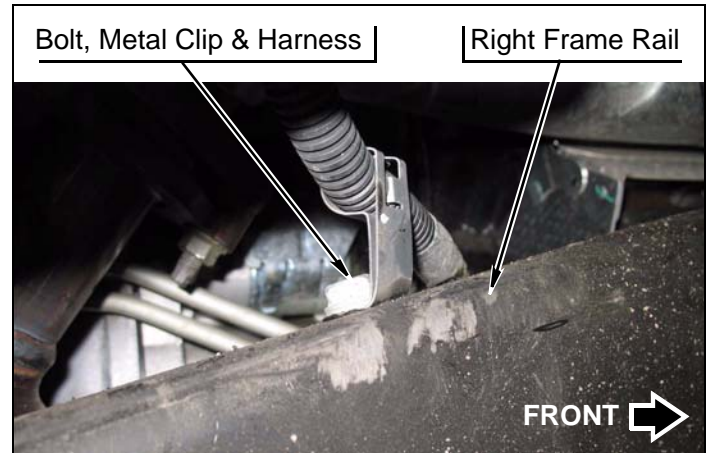
If the following step is not performed, the airbag clock-spring could be damaged. Do not turn the steering wheel while the steering shaft is disconnected.

- a. Strap steering wheel to prevent accidental movement.
- b. Mark upper steering shaft in relation to rack and pinion as shown.
- c. Remove bolt and upper steering shaft from rack and pinion.

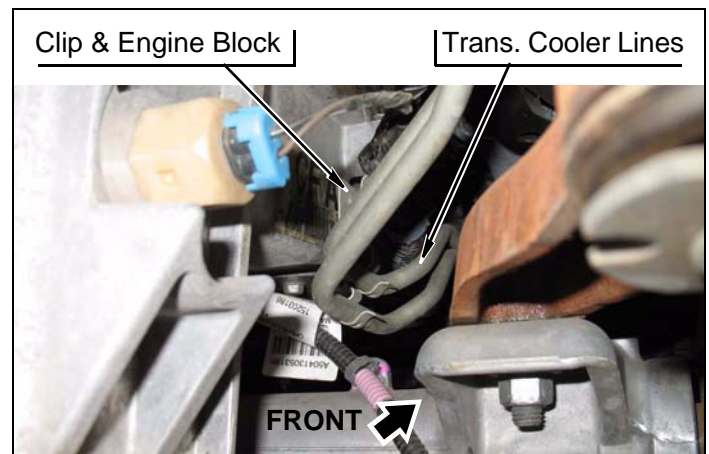


Underside of Vehicle

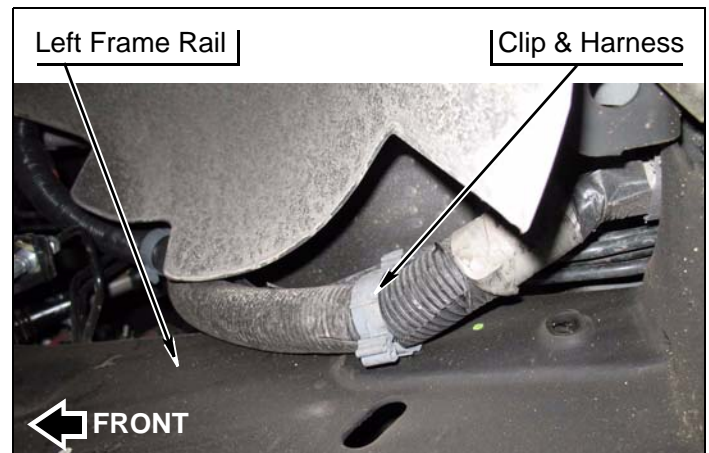
1. Remove bolt, metal clip and harness from right frame rail.



2. Remove two transmission cooler lines from metal clip and right side of engine block.



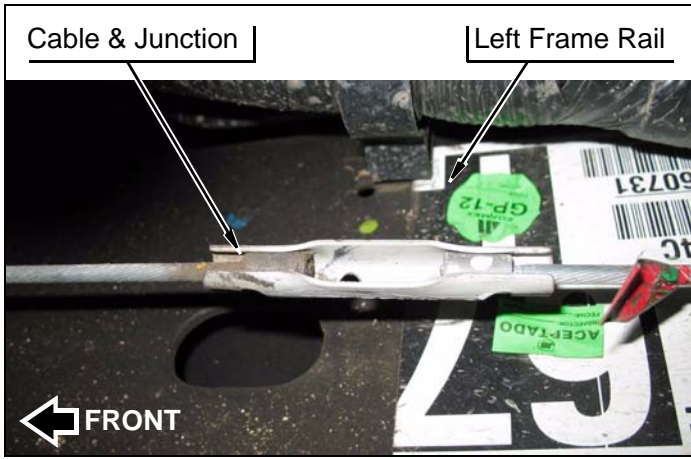
3. Remove clip and harness from left frame rail.



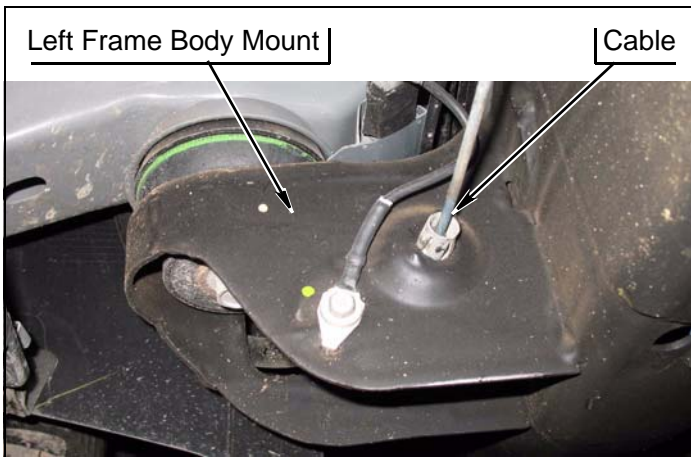
4. Parking brake cable

- a. Using locking pliers, pull slack into rear cable.

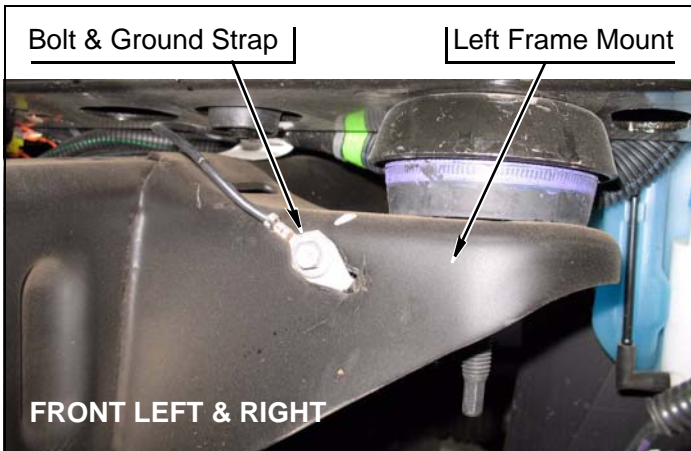
b. Disconnect cable at junction near left frame rail.



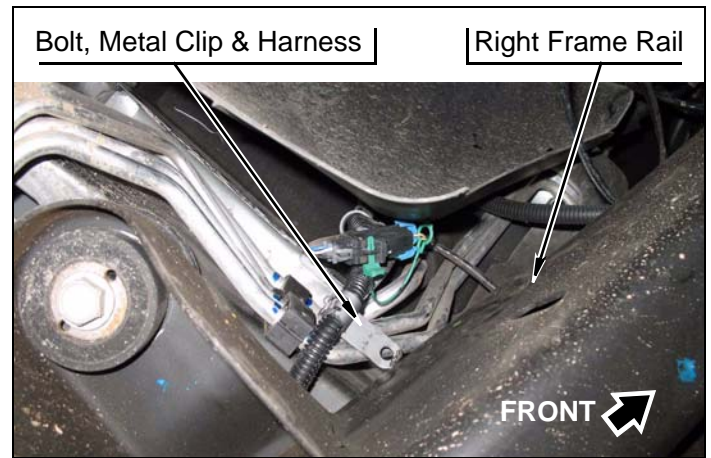
c. Remove front cable from left frame body mount.



5. Remove bolts and ground straps from front left, front right frame, and left second body mounts.

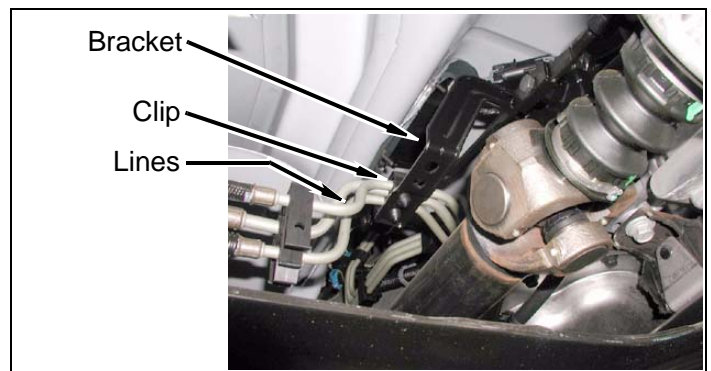


6. Remove bolt, metal clip and harness from right front frame rail.

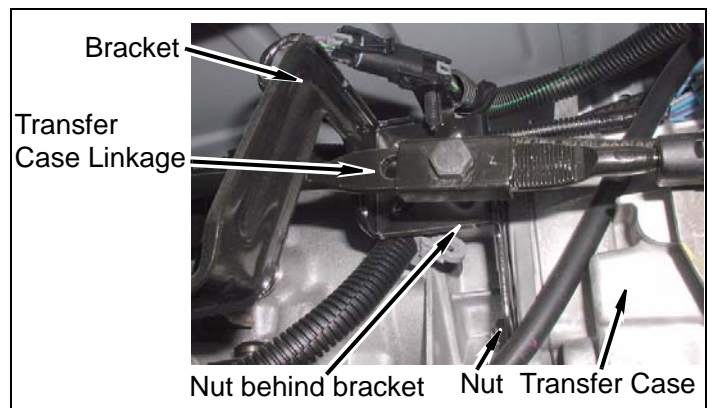


7. **Manual transfer case:** shift linkage

a. Remove clip containing three metal lines from bracket.



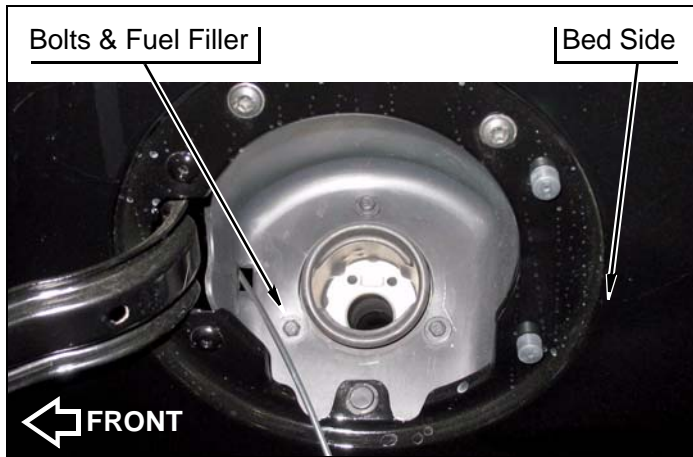
b. Remove two nuts and bracket from transfer case. Bracket is not reused. Install two nuts and tighten.



c. Remove two clips and transfer case linkage from transfer case and pivot.

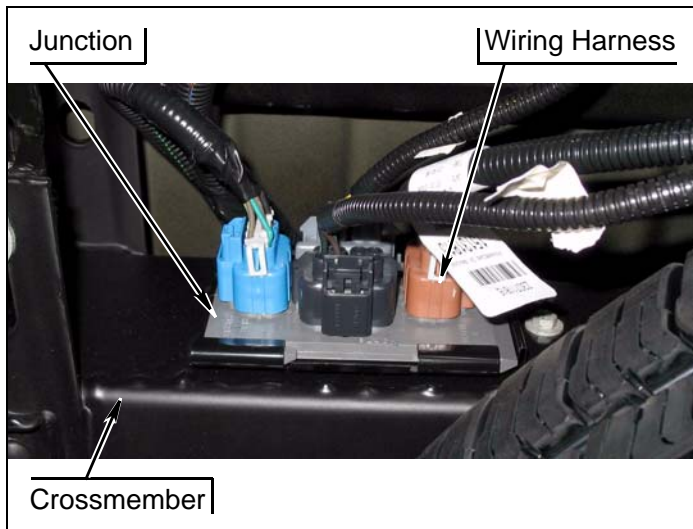
Rear of Vehicle

1. Remove three bolts and fuel filler from bed side.

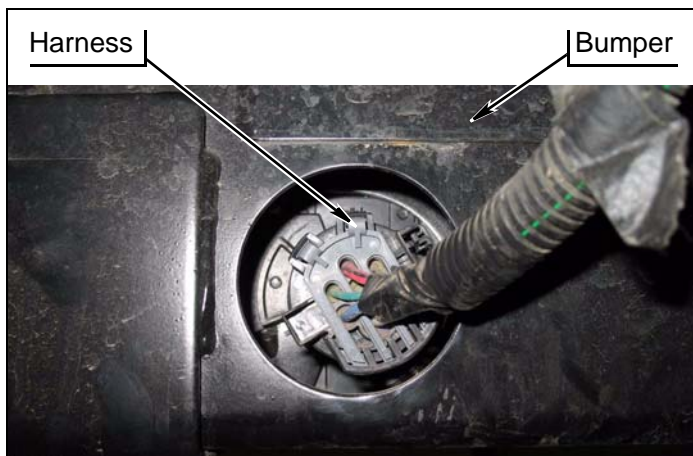


2. Rear bumper

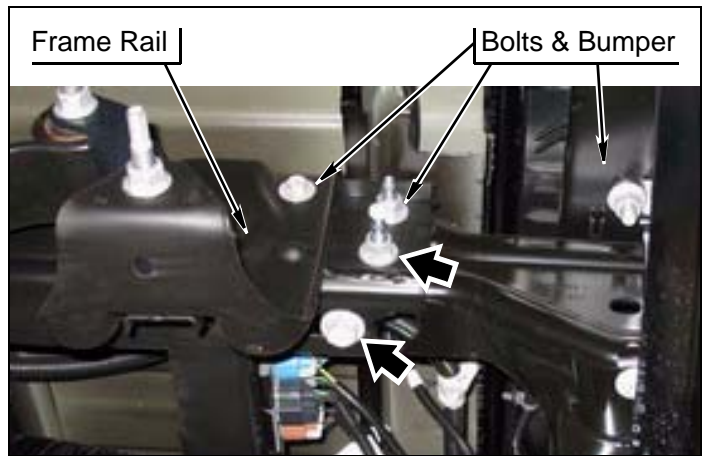
a. Remove wiring harness from junction on rear crossmember.



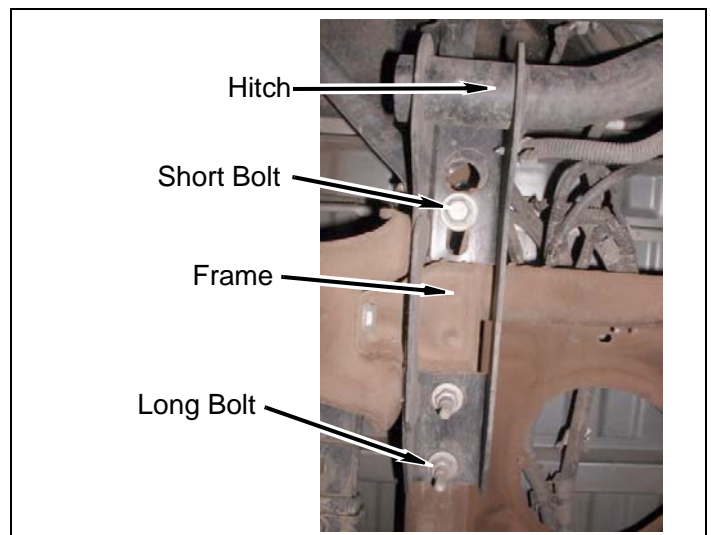
b. Remove trailer light harness from bumper.



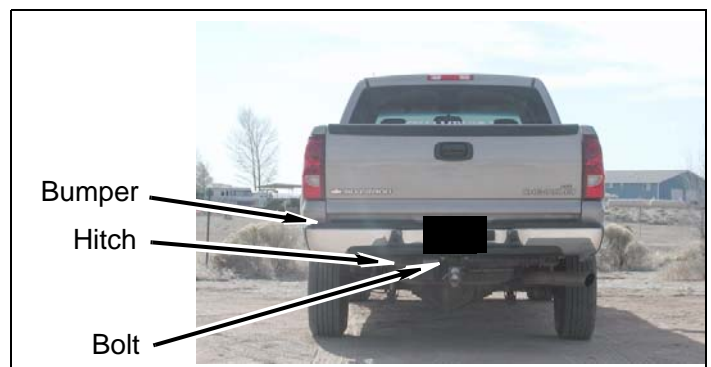
c. Remove four nuts, two double-bolt fasteners, four bolts and bumper from frame rails.



d. If equipped with a trailer hitch, remove two short and two long bolts from hitch and frame.



e. Remove two bolts and bumper from hitch and vehicle.

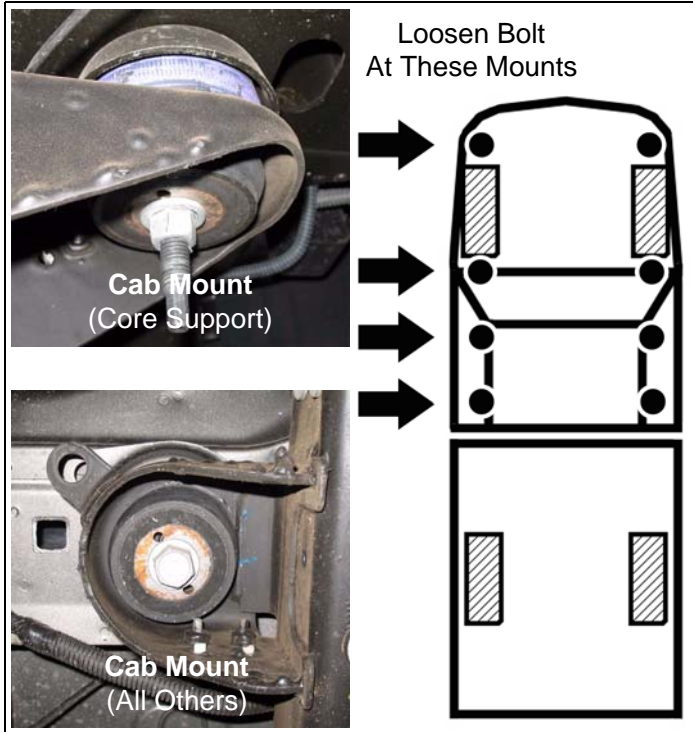


Install Kit

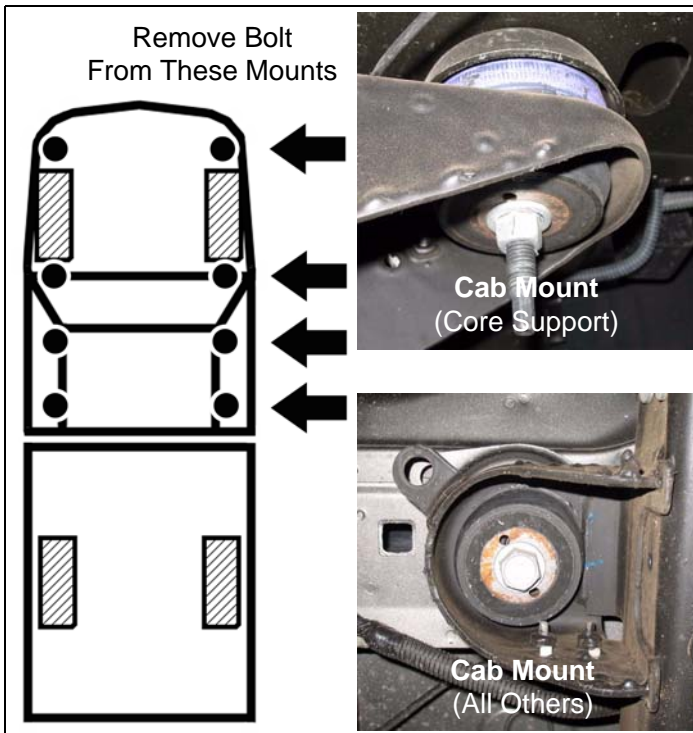
Cab

1. Prepare to lift cab from frame

- a. Loosen, but DO NOT REMOVE, cab mounting bolts on left side.



- b. Remove bolt (and nut for core support) and lower bushing from each cab mount on right side.



⚠ WARNING

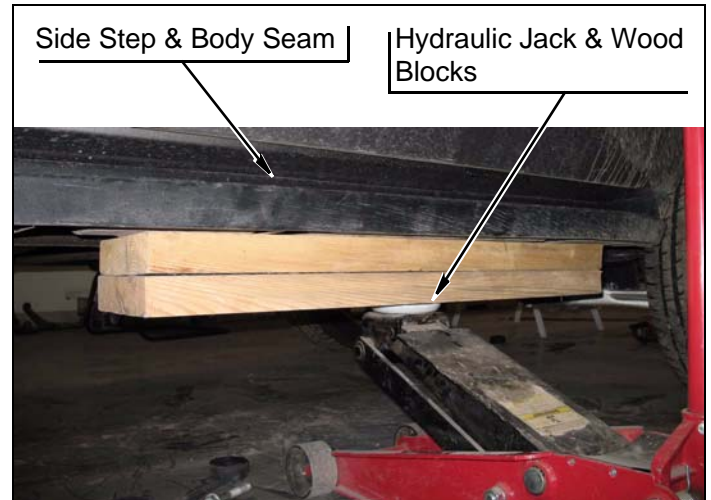
Use extreme caution when lifting body from frame. To prevent serious personal injury, ensure the lifting device is securely placed. Keep your hands out from between the body and frame.

⚠ CAUTION

Continually check hoses, wires, lines, etc. to be sure that everything is flexing properly and not binding, or damage to the vehicle could result. Be especially careful of the a/c hoses at the fire wall, the belt pulley, and at the core support. Ensure brake lines stretch while lifting. Bending the lines to gain ample slack may be necessary. Be extremely careful not to kink the lines.

2. Right side of cab

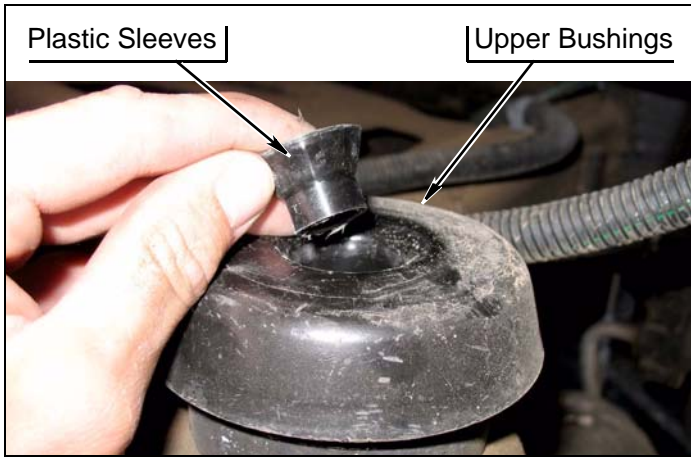
- a. Position a hydraulic floor jack and wood block(s) under right side of cab (under the body seam). Slowly lift cab just enough to install a **kit block** on top of factory upper bushing.



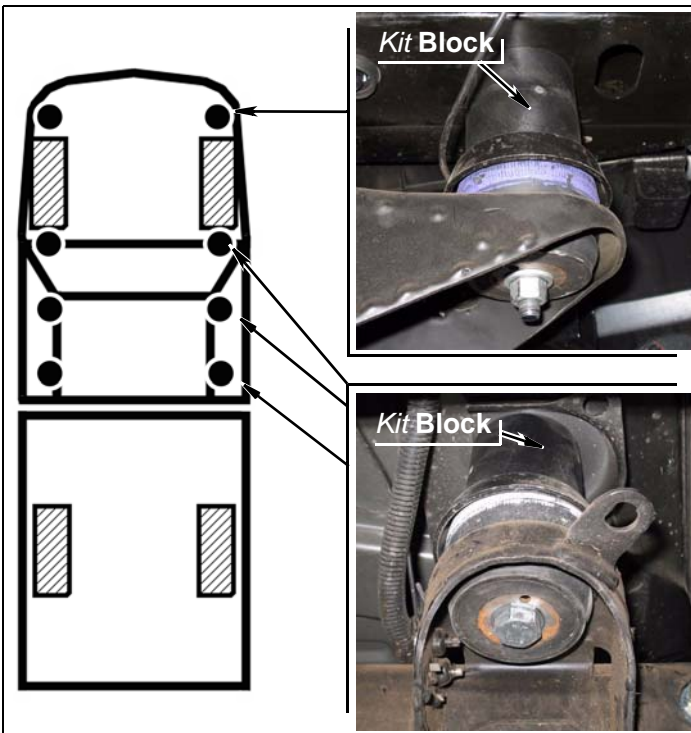
⚠ WARNING

The **kit blocks** must be installed in addition to the factory upper and lower bushings. Installing the **kit blocks** without the factory upper and lower bushings could result in damage to the vehicle or serious personal injury.

b. Remove plastic sleeves from all upper bushings.

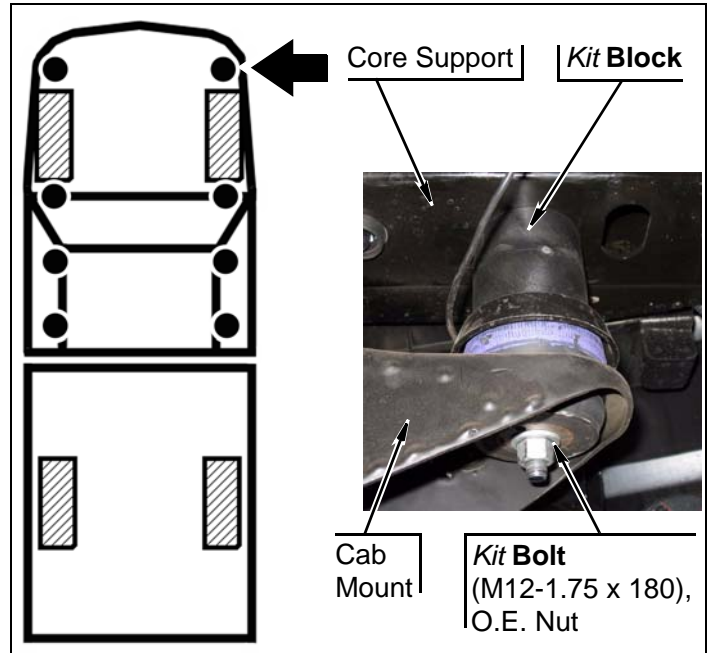


c. Install *kit blocks* onto upper bushings on each cab mount.

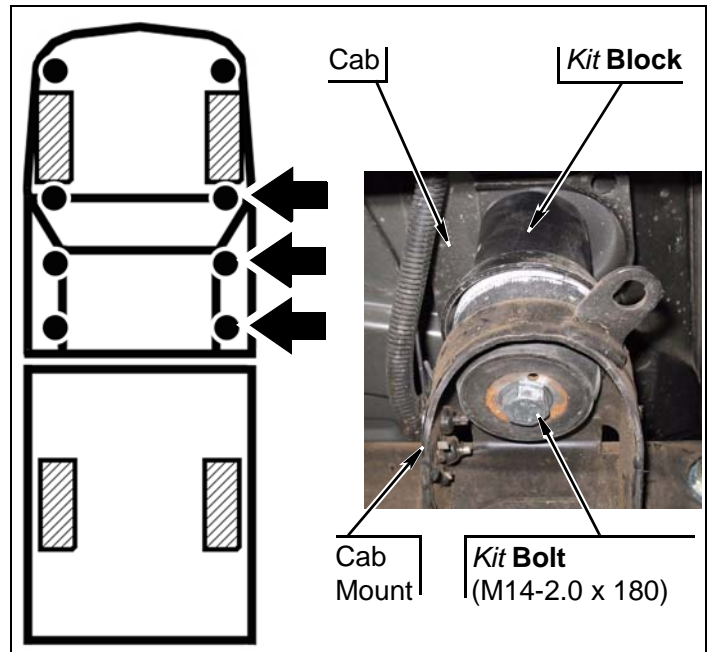


d. Lower cab onto *kit blocks*.

e. Install *kit bolt* (M12-1.75 x 180mm) and O.E. nut into core support cab mount and *kit block*. DO NOT TIGHTEN.

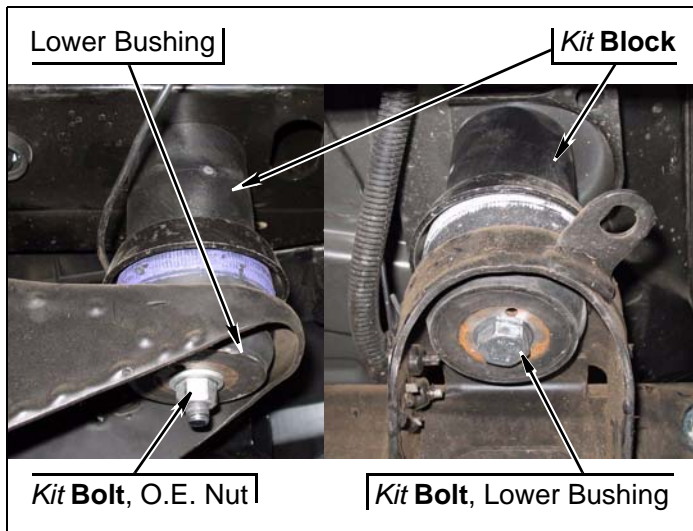


f. Install *kit bolt* (M14-2.0 x 180mm) into remaining cab mounts and *kit blocks*. DO NOT TIGHTEN.



g. Repeat previous substeps for left side of cab.

- h. Remove each *kit bolt*, one at a time, and apply a small amount of *kit Loctite*® onto threads. Install *kit bolt* and lower bushing (and O.E. nut for core support cab mount) into *kit block* and cab. TIGHTEN *kit bolts* to 55 ft. lbs.

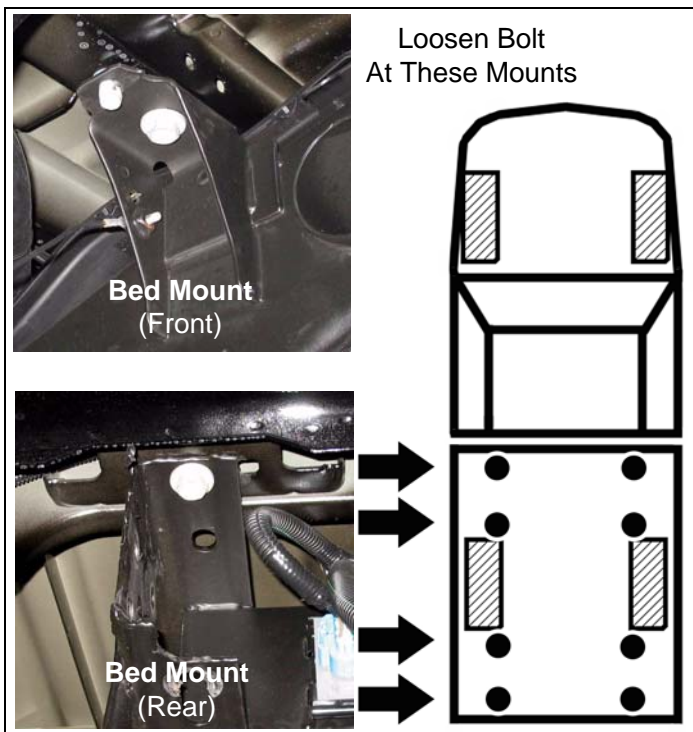


- i. Install ground straps onto front left, front right and second right body mount with bolts.

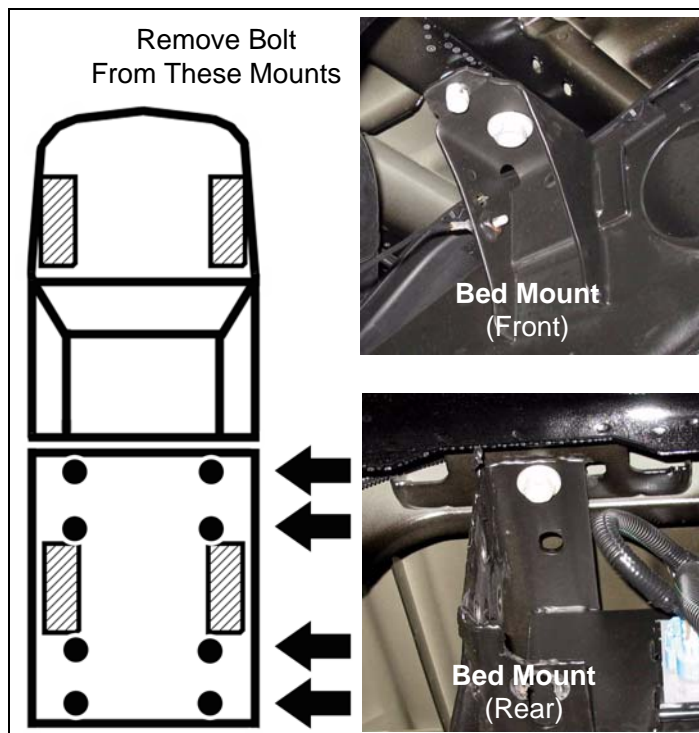
Bed

1. Prepare to lift bed from frame

- a. Loosen, but DO NOT REMOVE, bed mounting bolts on left side.



- b. Remove bed mounting bolts on right side.



- c. Slowly lift bed just enough to install *kit block* on top of each frame mount.

NOTE

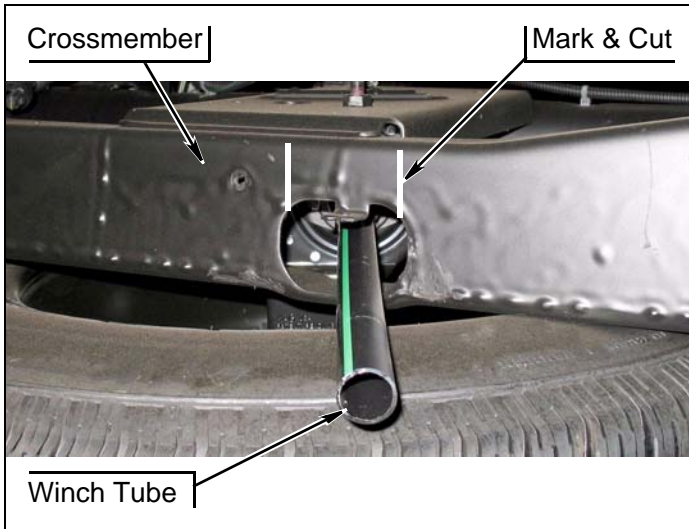
The number of *kit blocks* used will vary depending on the length of the bed.

- d. Lower left side of bed and install *kit bolt* (M12-1.75 x 100) at each bed mount. DO NOT TIGHTEN.
- e. Repeat above substeps for left side of bed.
- f. Remove each *kit bolt*, one at a time, and apply a small amount of *kit Loctite*® onto threads. Install *kit bolt* and *kit washer* (M12) into *kit block* and bed. TIGHTEN *kit bolts* to 55 ft. lbs.

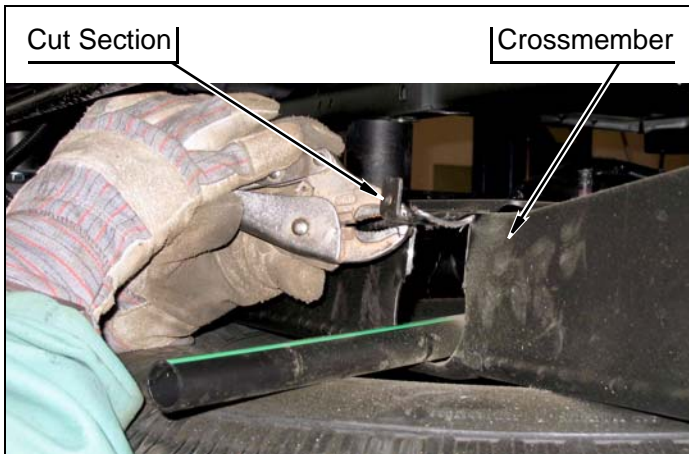
Rear of Vehicle

1. Spare tire winch

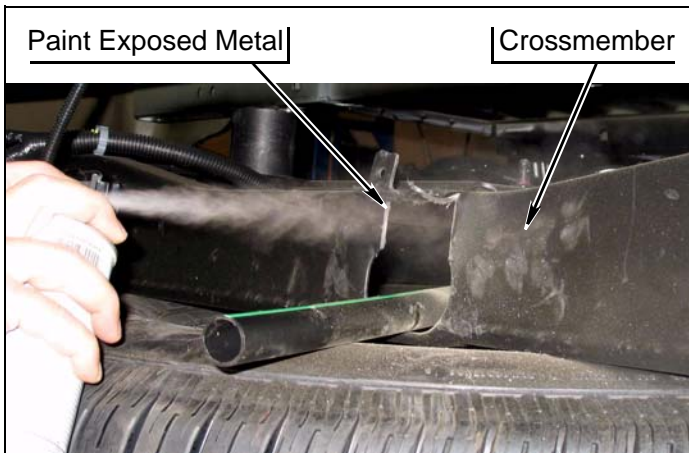
- a. Mark and cut crossmember as shown.



- b. Using locking pliers, pull up on cut section of crossmember to allow winch tube to angle upward.

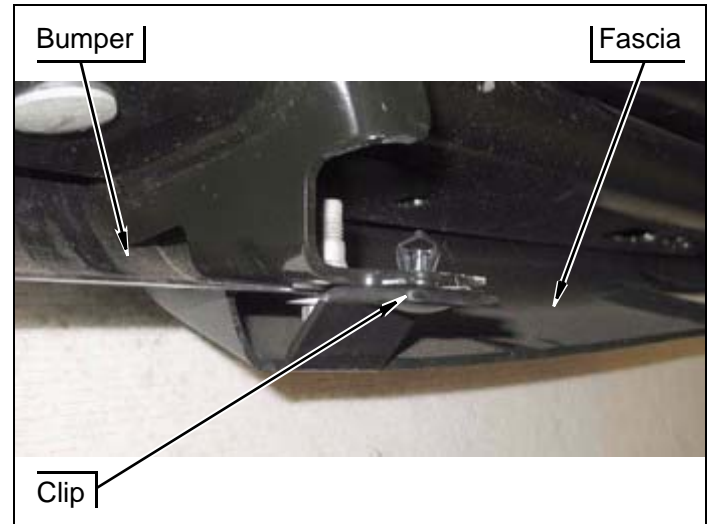


- c. Using rust preventative paint, cover cut edges of crossmember.

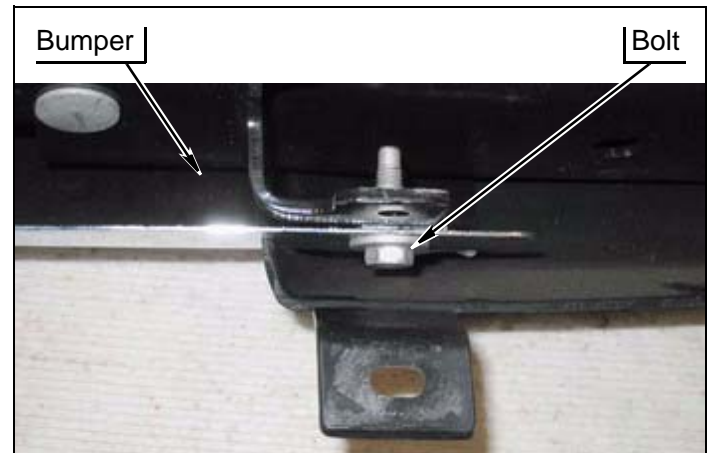


2. Rear bumper

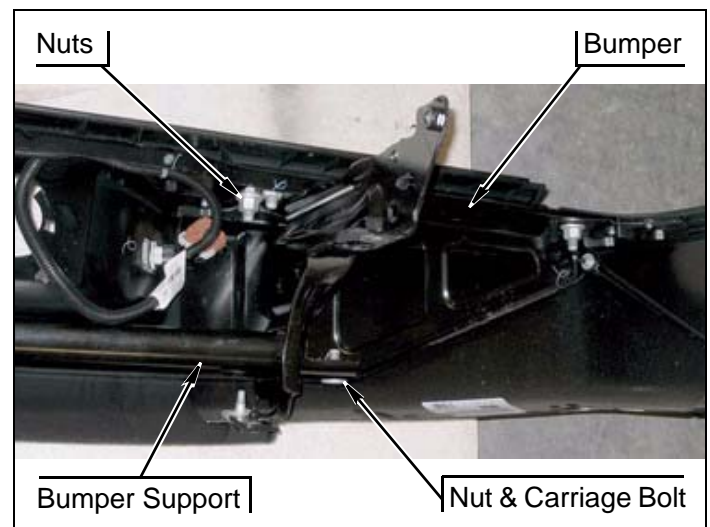
- a. Remove two clips from fascia and bumper.



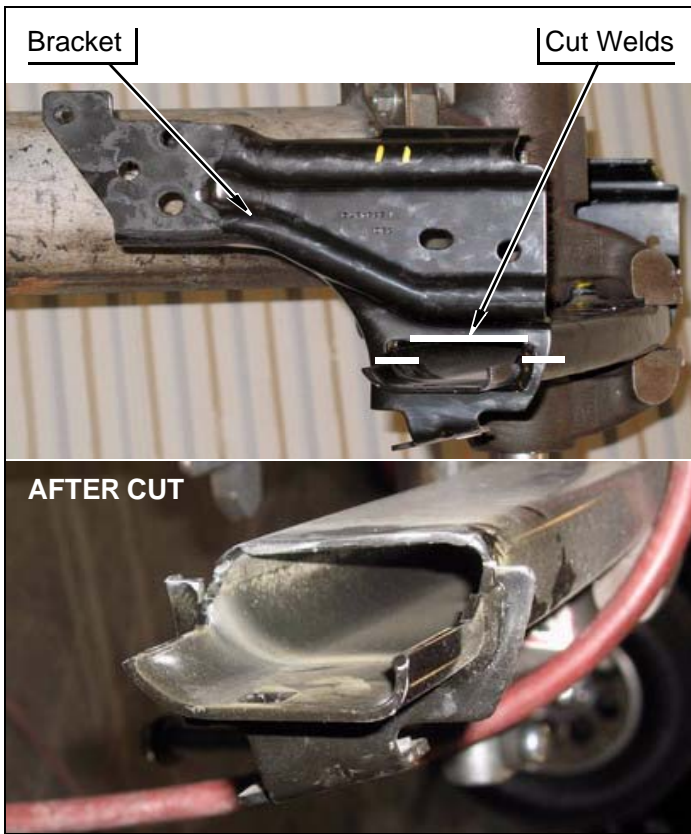
- b. Remove two bolts from bottom of bumper.



- c. Remove six nuts, two carriage bolts and bumper support from bumper.



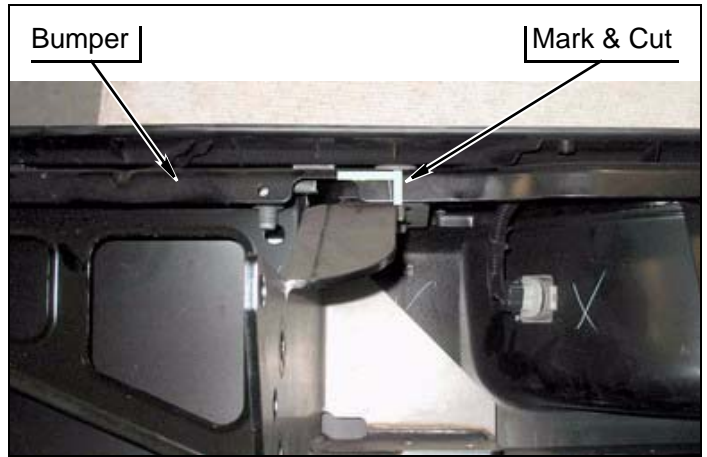
d. Cut two brackets and remove from bumper support as shown.



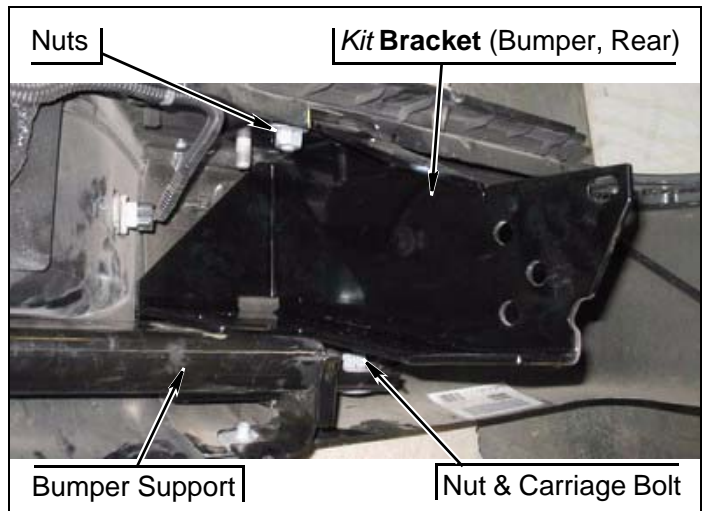
e. Position two **kit brackets** (bumper, rear) onto bumper support against stop.



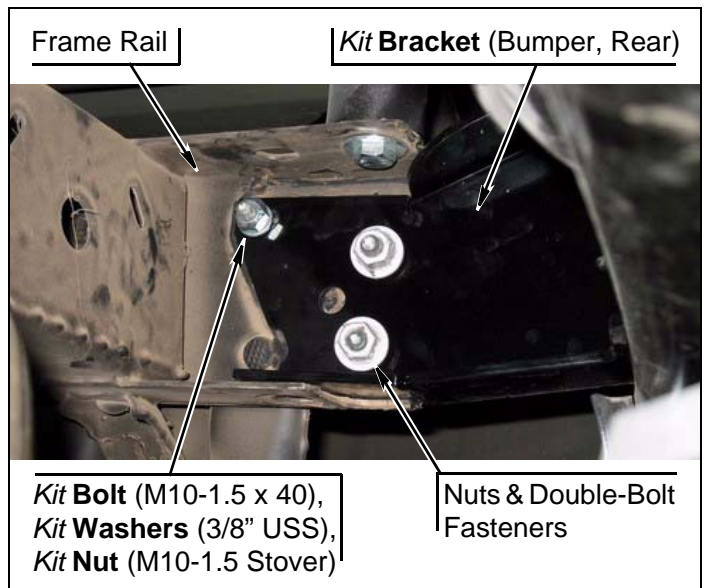
f. Mark and cut left and right of bumper as shown.



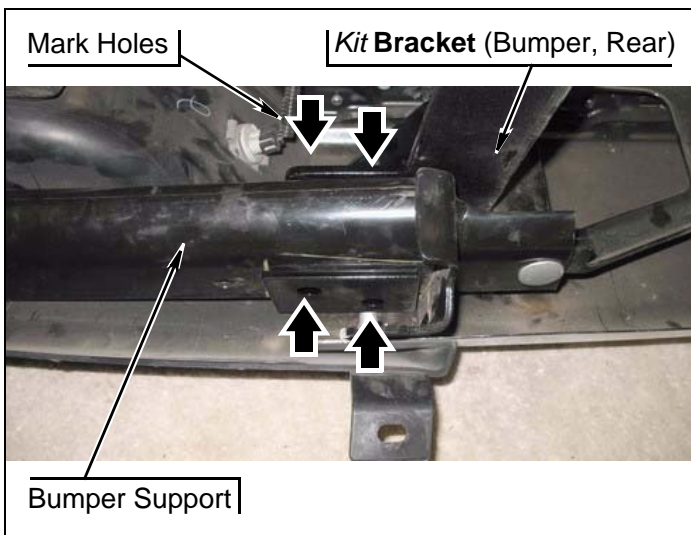
g. Install bumper support and two **kit brackets** (bumper, rear) onto bumper with two O.E. carriage bolts and six nuts. Snug, but **DO NOT TIGHTEN**.



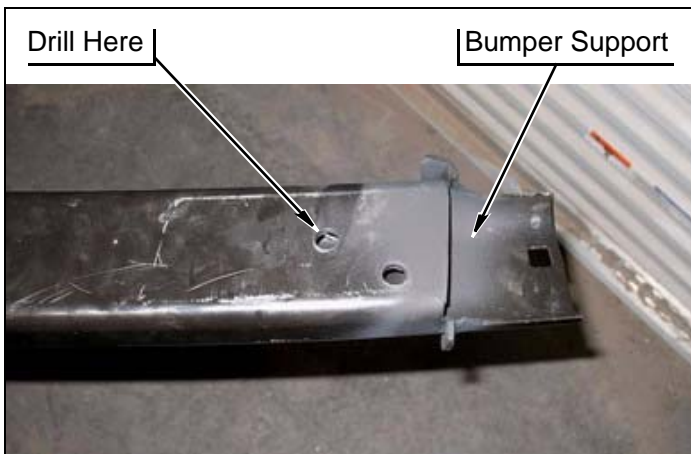
h. Install bumper onto frame rails with two O.E. double-bolt fasteners, two nuts, two **kit bolts** (M10-1.5 x 40), four **kit washers** (3/8" USS) and two **kit nuts** (M10-1.5 Stover). Snug, but **DO NOT TIGHTEN**.



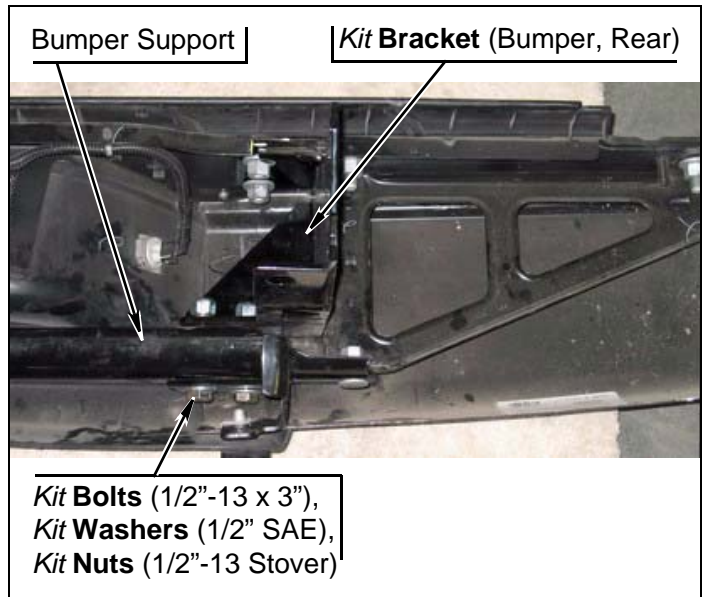
- i. Mark eight holes through two *kit brackets* (bumper, rear) onto bumper support.



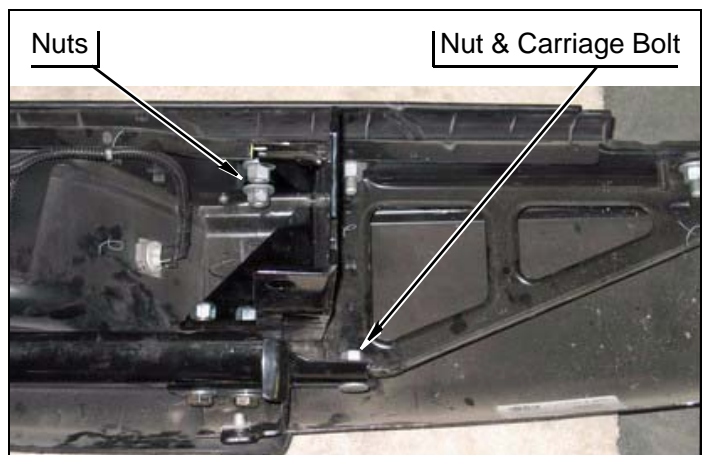
- j. Remove two O.E. double-bolt fasteners, two nuts and bumper from frame rails.
- k. Remove six nuts, two carriage bolts and bumper support from bumper.
- l. Drill eight 1/2" holes through bumper support at marked locations.



- m. Install bumper support onto two *kit brackets* (bumper, rear) with four *kit bolts* (1/2"-13 x 3"), eight *kit washers* (1/2" SAE) and four *kit nuts* (1/2"-13 Stover). DO NOT TIGHTEN.

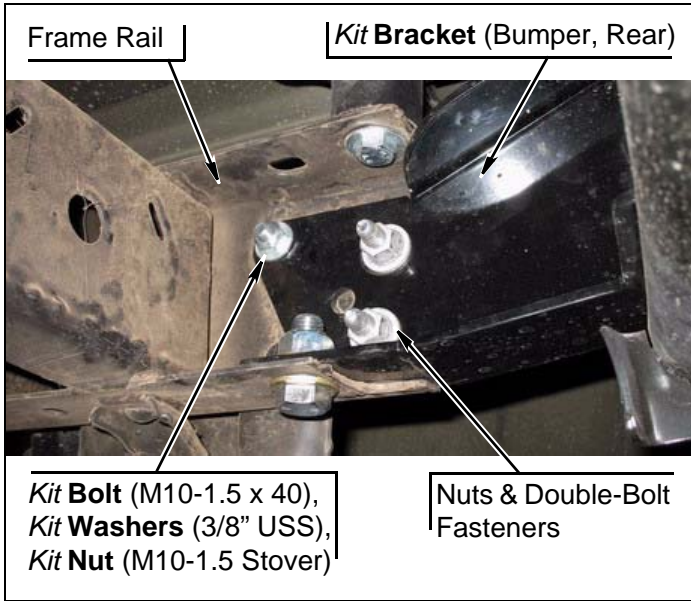


- n. Install bumper support and two *kit brackets* (bumper, rear) onto bumper with two O.E. carriage bolts and six nuts. DO NOT TIGHTEN.

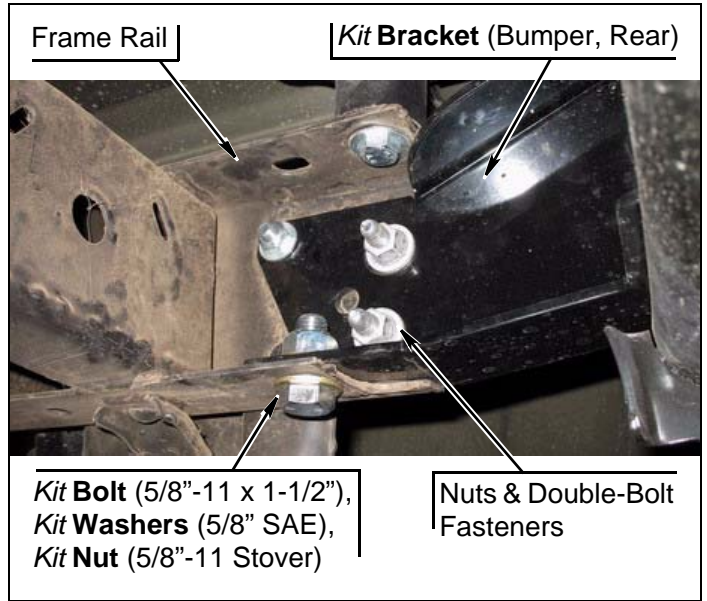


- o. Install bottom of bumper onto bumper support with two bolts.
- p. Install fascia onto bumper with two clips.
- q. Install bumper onto frame rails with two O.E. double-bolt fasteners and four nuts. DO NOT TIGHTEN.

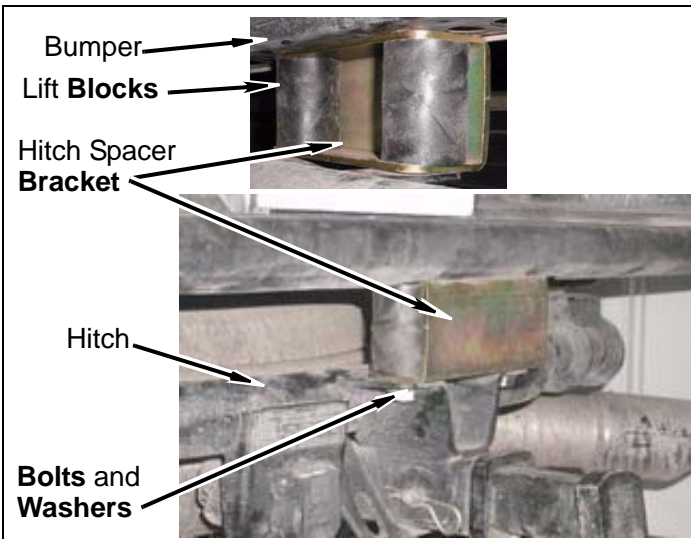
- r. Install bumper onto frame rails with two **kit bolts** (M10-1.5 x 40), four **kit washers** (3/8" USS) and two **kit nuts** (M10-1.5 Stover). DO NOT TIGHTEN.



- u. Install bumper onto frame rails with two **kit bolts** (5/8"-11 x 1-1/2"), four **kit washers** (5/8" SAE) and two **kit nuts** (5/8"-11 Stover). DO NOT TIGHTEN.

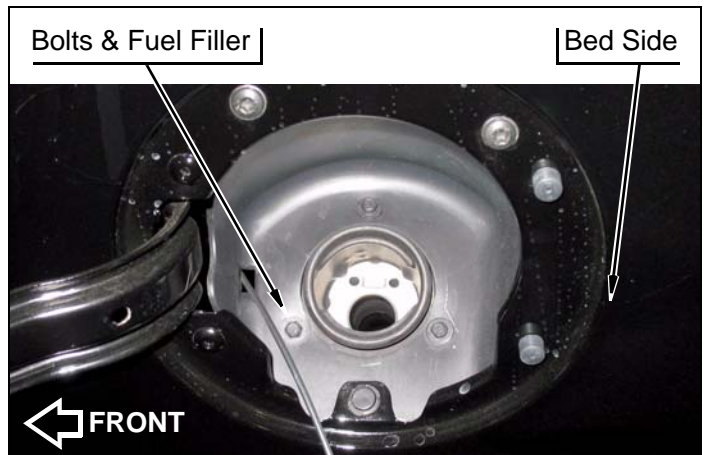


- s. Install kit **bracket**, hitch spacer and two kit **blocks**, lift (3" x 2" large hole) as shown, on rear bumper and hitch with two kit **bolts** (14mm x 110mm) and two kit **washers** (14mm). Do not tighten.

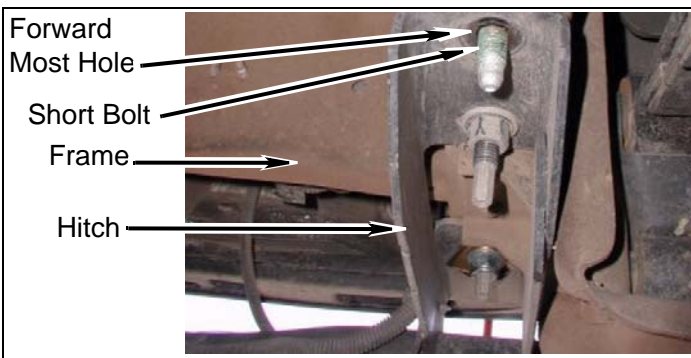


- v. Align bumper to previous measurements and TIGHTEN all bumper hardware.
- w. Connect bumper wiring harness onto cross-member.
- x. Connect trailer light harness onto bumper.
- y. Install spare tire onto vehicle according to vehicle owner's manual.

- 3. Install fuel filler onto bed with three O.E. bolts.



- t. Install hitch on frame with two short bolts and nuts. Use forward most hole in hitch.



⚠ WARNING

Use extreme caution when working near the fuel lines and the fuel tank. Clean up spilled fuel immediately. A spark could cause an explosion or fire resulting in serious personal injury and property damage.

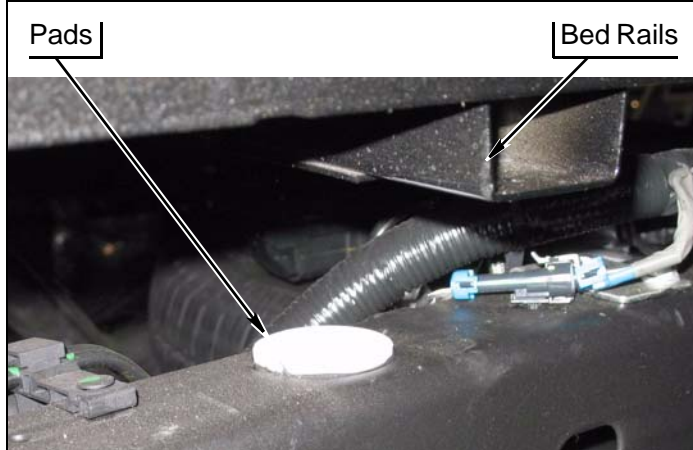
Underside of Vehicle

1. Crush blocks

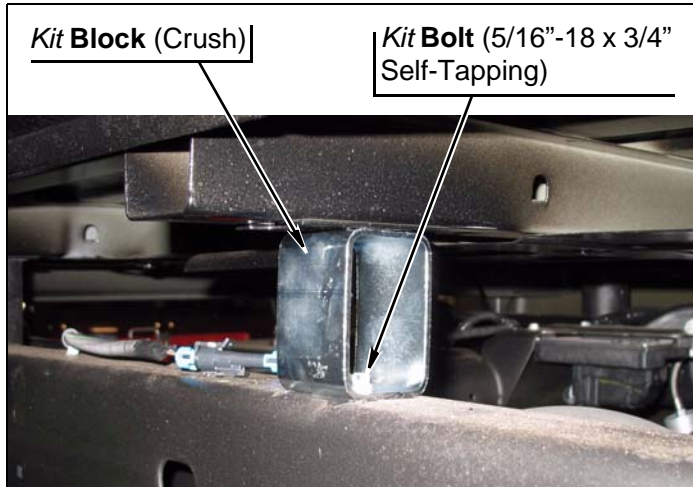
NOTE

The number of *kit blocks* (crush) used will vary depending on the length of the bed.

- a. Remove pads from two frame rails.



- b. Install *kit block* (crush) onto each pad location of frame with *kit bolt* (5/16"-18 x 3/4" self-tapping).

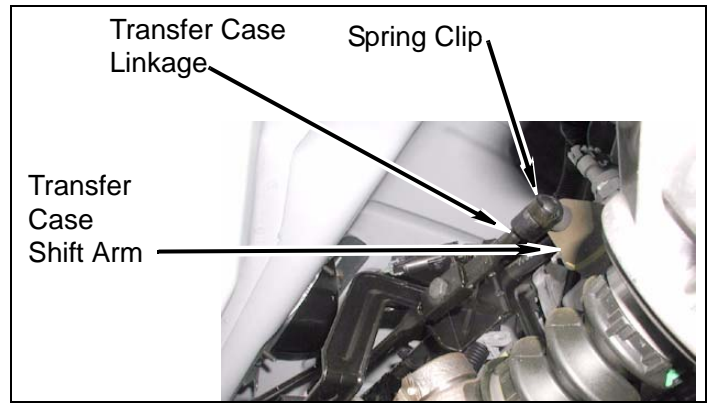


NOTE

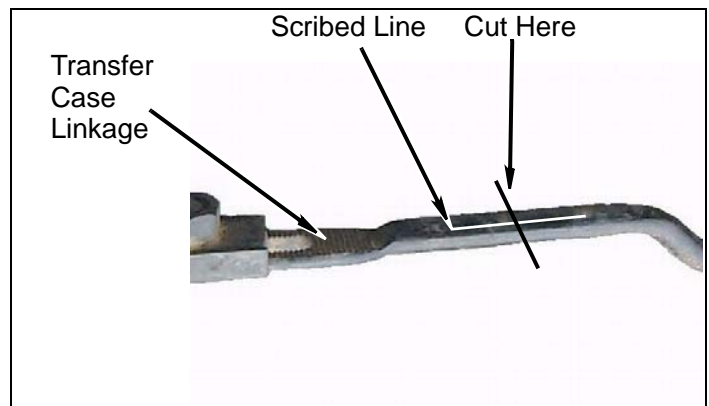
The following step is for vehicles with manual transfer case only. Other models skip this step.

2. Lengthen and install transfer case shift lever.

- a. Remove two spring clips and transfer case linkage from shift lever, transfer case shift arm.



- b. Scribe a line along transfer case linkage as shown. Cut transfer case linkage into two pieces through the scribed line and deburr.



WARNING

A certified welder should perform all welding.

- c. Position *kit pin* 4x4 extension between two pieces of transfer case linkage. Ensure transfer case linkage scribed lines align and weld *kit pin* extension in place.

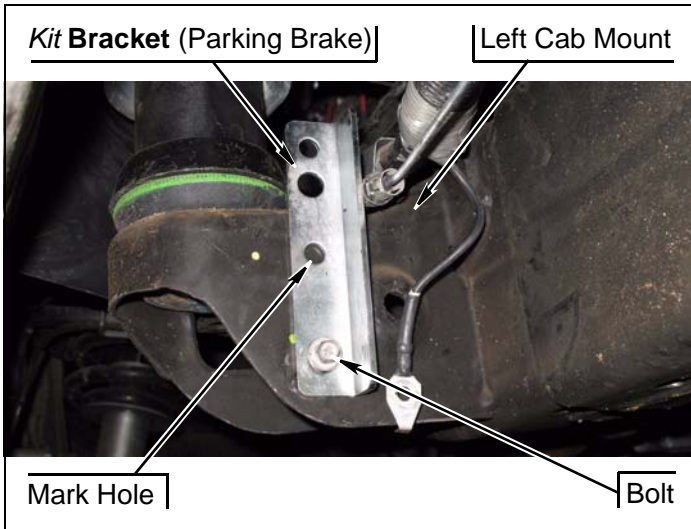


- d. Install transfer case linkage on transfer case shift arm and shift lever with two clips.

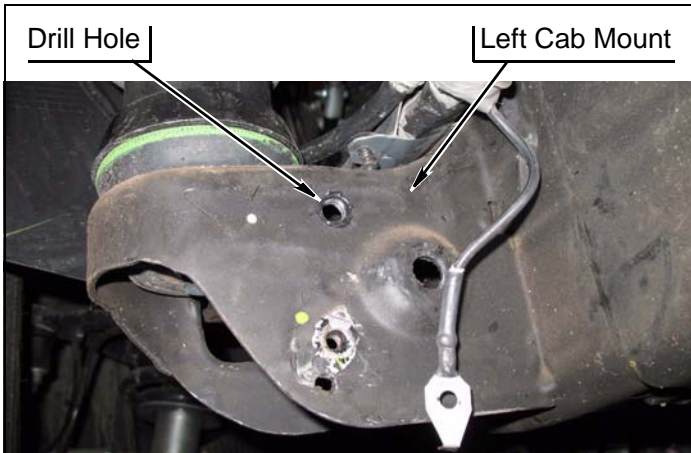
- e. Check transfer case shift lever operation. Ensure there is complete engagement in all ranges. If necessary, adjust the linkage.

3. Parking brake cable

- a. Install *kit bracket* (parking brake) onto second left cab mount with O.E. bolt. Mark hole with center punch.

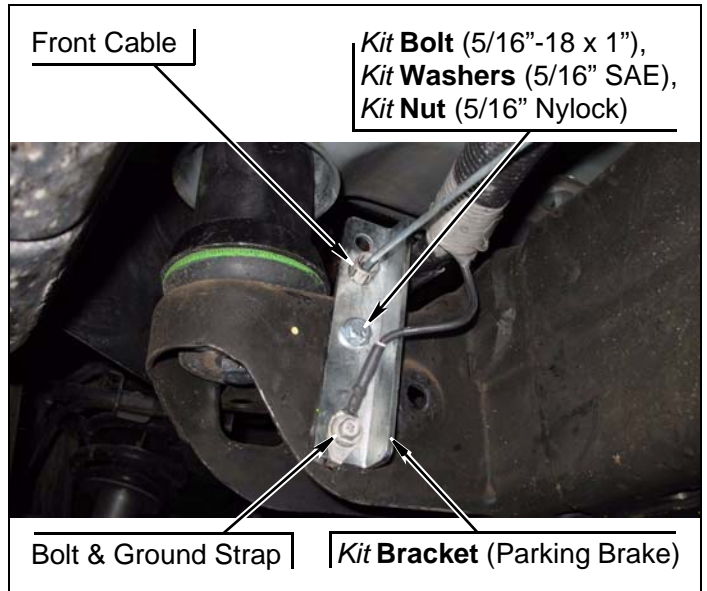


- b. Remove O.E. bolt and *kit bracket* (parking brake). Drill 3/8" hole through cab mount at marked location.



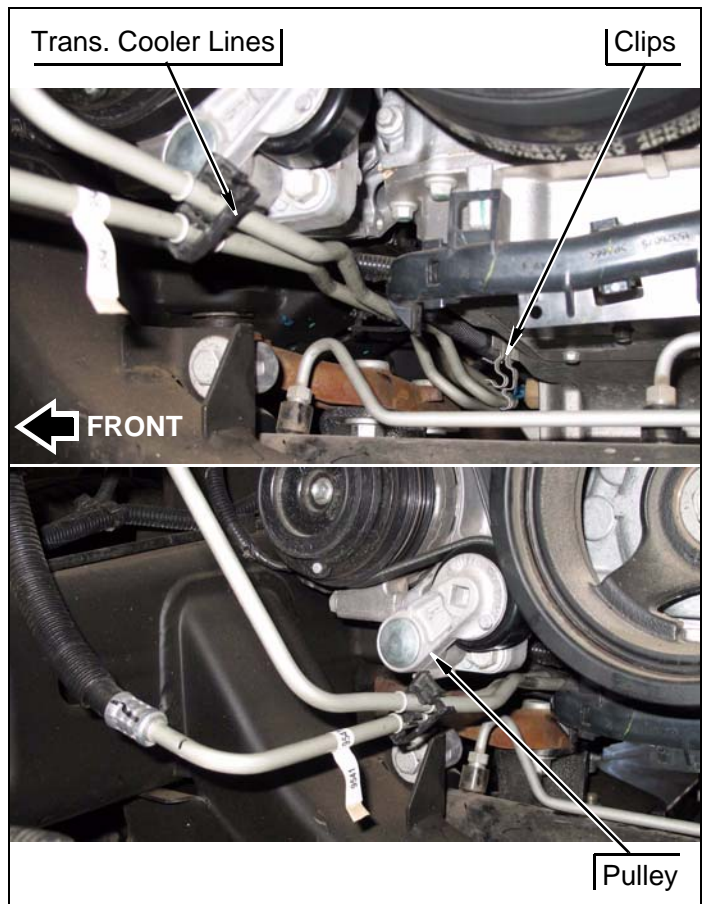
- c. Install *kit bracket* (parking brake) and ground strap onto cab mount with O.E. bolt, *kit bolt* (5/16"-18 x 1"), two *kit washers* (5/16" SAE) and *kit nut* (5/16" Nylock).

- d. Route parking brake cable through *kit bracket* (parking brake) and connect front and rear brake cables with junction.



- e. Remove locking pliers from rear cable.

4. Install wiring harness and metal clip onto right frame rail with bolt.
5. Carefully bend metal transmission cooler lines so they do not interfere or contact belt tensioner or pulley.



Engine Compartment

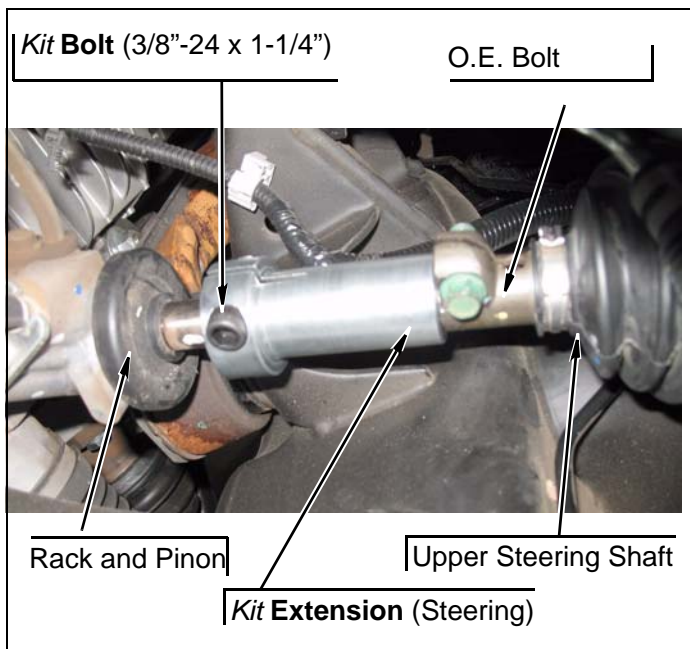
1. Steering shaft



⚠ WARNING

Verify the steering extension is securely installed as specified in the instructions. Failure to do so may cause steering malfunction, resulting in property damage or serious personal injury.

- Install *kit extension* (steering) onto rack and pinion shaft. Ensure marks on rack and pinion shaft and upper steering shaft are aligned.
- Install upper steering shaft onto *kit extension* (steering), ensuring marks on upper steering shaft and lower steering shaft are aligned.
- Apply a small amount of *kit Loctite*® onto O.E. bolt and *kit bolt* (3/8"-24 x 1-1/4").



- Install *kit bolt* (3/8"-24 x 1-1/4") onto rack and pinion shaft and *kit extension* (steering).

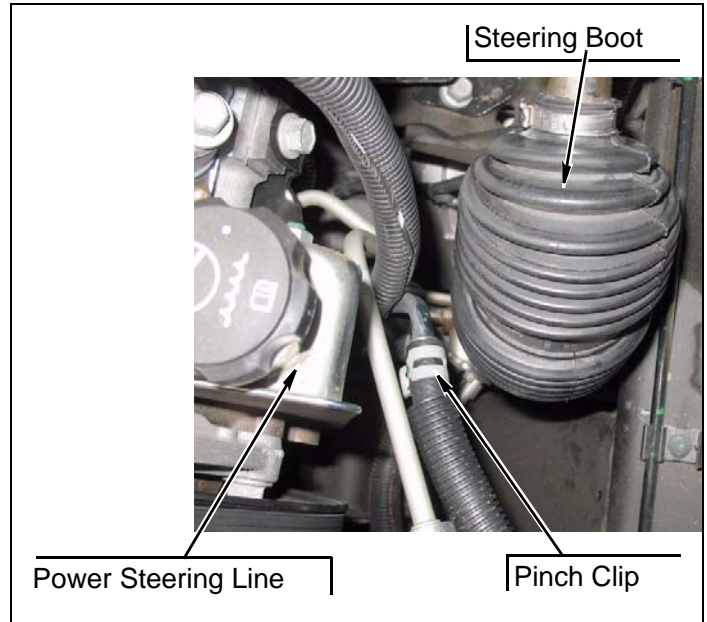
- Install O.E. bolt onto upper steering shaft and *kit extension* (steering).

- TIGHTEN bolts to 33 lb.-ft.

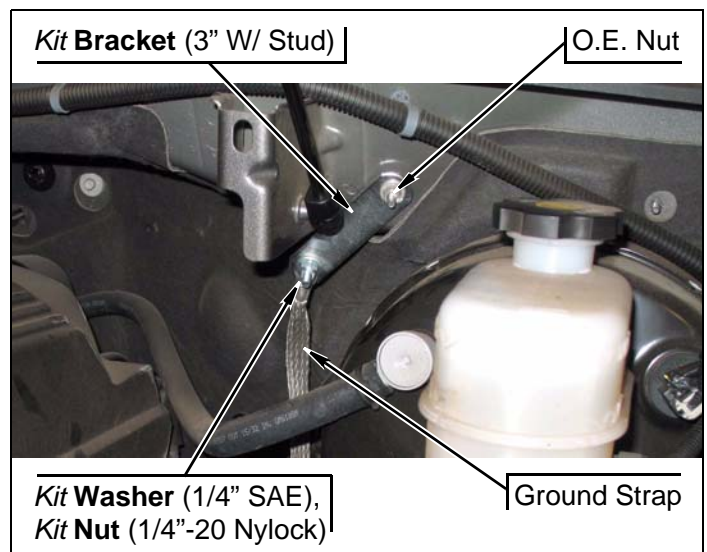
NOTE

It may be necessary to bend the power steering line slightly away from the steering shaft and boot in next step.

- Rotate power steering hose pinch clamp down and away from steering boot.



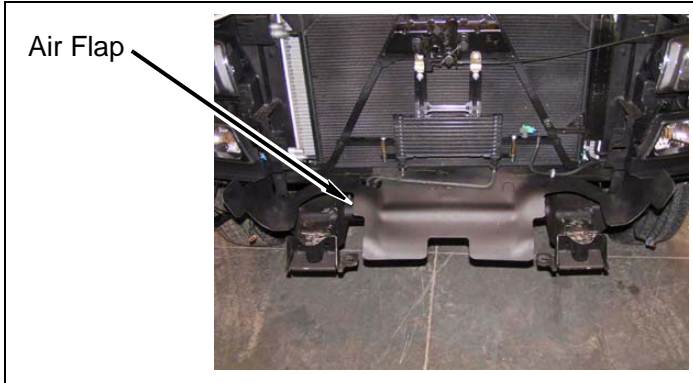
- Install *kit bracket* (3" w/ stud) onto left firewall stud with O.E. nut.
- Install ground strap onto *kit bracket* (3" w/ stud) with *kit washer* (1/4" SAE) and *kit nut* (1/4" Nylock).



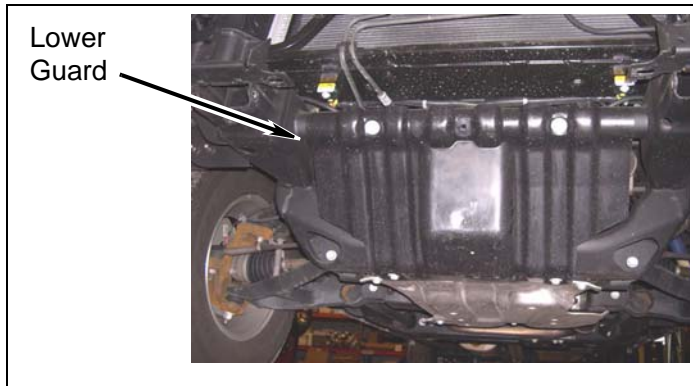
- Install harness and metal clip onto right frame rail with bolt.

Front of Vehicle

1. Pull slack into lines for transmission cooler to make sure they have adequate clearance everywhere needed.
2. Air flap
 - a. Install air flap with push clips into corresponding holes on core support.



- b. Install lower guard to core support and frame with factory bolts.



3. Front bumper

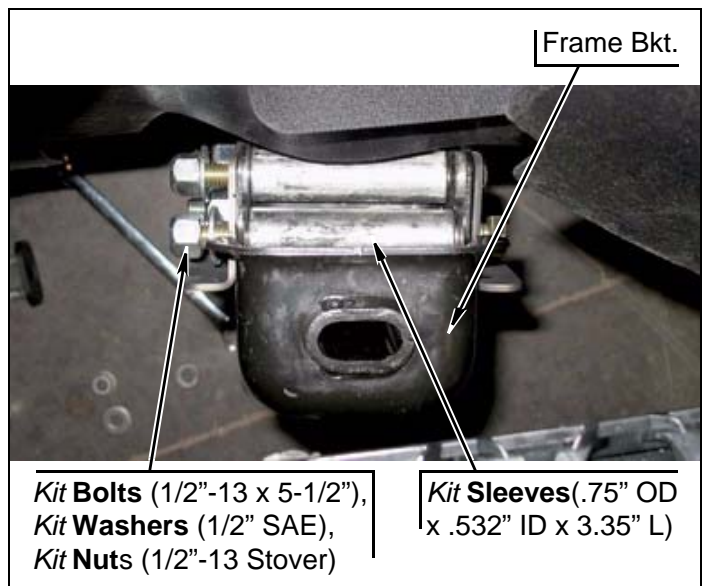
NOTE

Kit washers (1/2" x 1-3/8") are fitted between *kit brackets* (bumper, front) and frame horn.

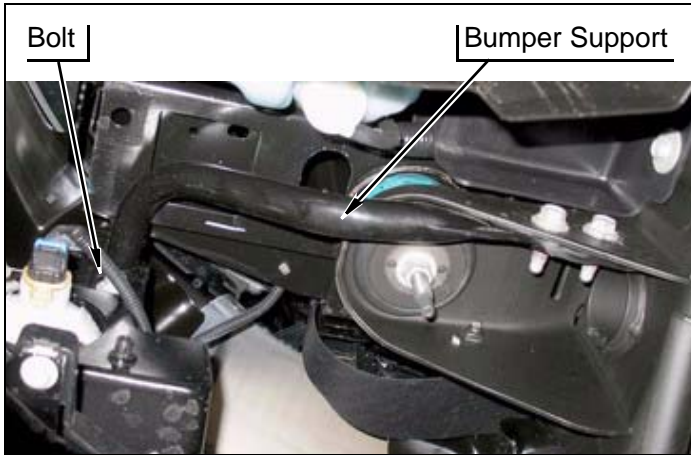
- a. Install *kit bracket* (bumper, front, left) and *kit bracket* (bumper, front, right) onto left frame horn with four *kit washers* (1/2" x 1-3/8"), four *kit bolts* (1/2"-13 x 5-1/2"), eight *kit washers* (1/2" SAE) and four *kit nuts* (1/2"-13 Stover). DO NOT TIGHTEN.



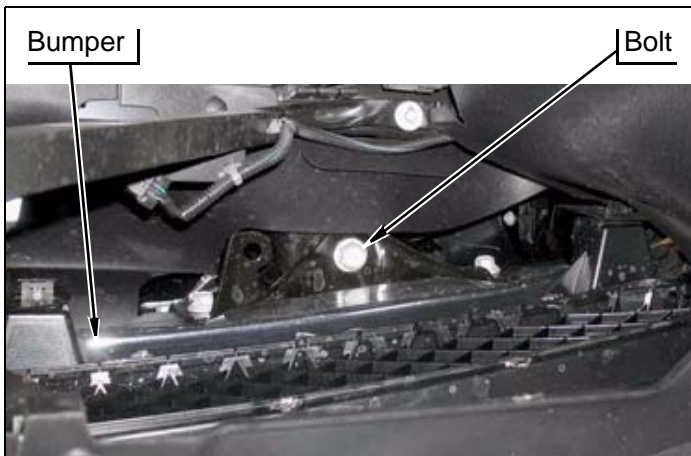
- b. Install frame bracket onto *kit brackets* (bumper, front) with two *kit sleeves* (.75" OD x .532" ID x 3.35" L), four *kit bolts* (1/2"-13 x 5-1/2"), eight *kit washers* (1/2" SAE) and four *kit nuts* (1/2"-13 Stover). DO NOT TIGHTEN.



- c. Repeat above substeps for right frame horn.
- d. Loosen two bolts and two bumper supports on bumper.

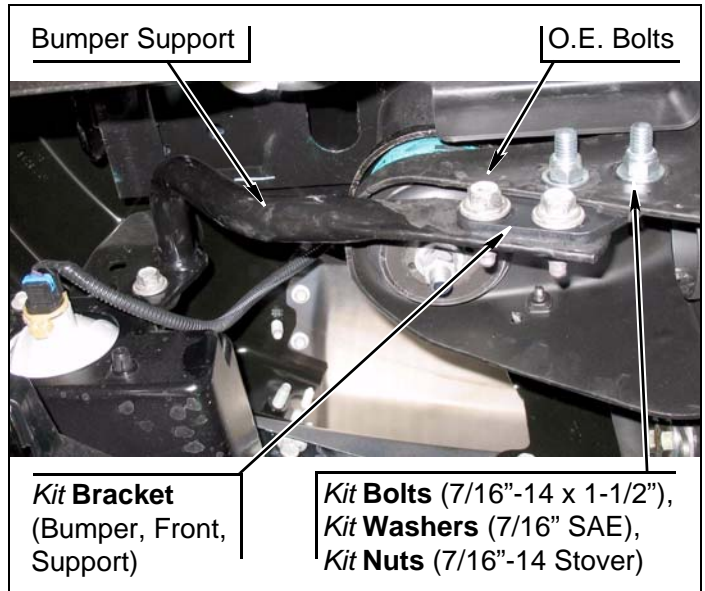


- e. Install bumper onto frame brackets with two O.E. bolts. DO NOT TIGHTEN.



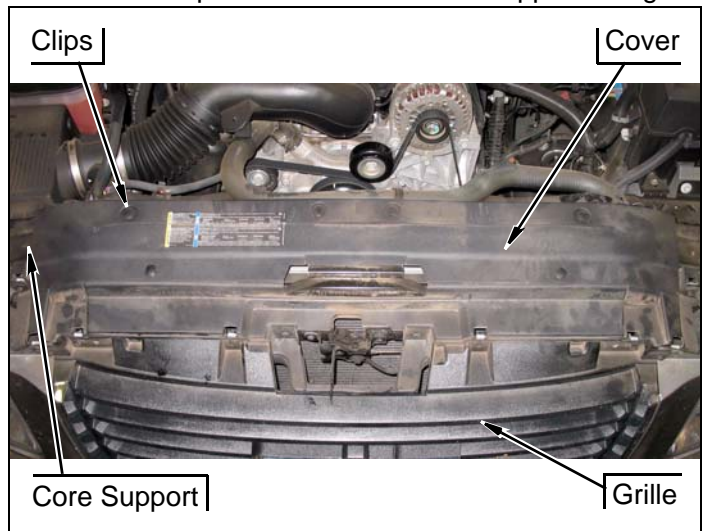
- f. Install two *kit brackets* (bumper, front, support) onto two cab mounts with four *kit bolts* (7/16"-14 x 1-1/2"), eight *kit washers* (7/16" SAE) and four *kit nuts* (7/16"-14 Stover). DO NOT TIGHTEN.

- g. Install two bumper supports onto two *kit brackets* (bumper, front, support) with four O.E. bolts. DO NOT TIGHTEN.



- h. Align bumper to previous measurements and TIGHTEN all bumper hardware.
- i. Connect two wiring harnesses onto fog lamps, if equipped.
- j. Reinstall grill by clipping in all four clips into core support and reinstalling four screws into upper section of grill.

Reinstall clips and cover from core support and grill.



After Completing Installation

Engine Compartment

1. Connect both battery cables. Connect positive cable first, then negative cable.
2. Install airbag fuse and fuse block cover.

Miscellaneous

1. Apply *kit label* (warning) onto dashboard in plain sight of all vehicle occupants.
2. Check all fasteners to ensure they are tight.
3. Ensure all wires, hoses, cables, etc. are properly connected and there is ample slack.
4. Adjust headlights.

Dynamic Vehicle Check

1. Check steering in both directions to ensure that there is no bind. Check operation of clutch, brake system, and parking brake. Check operation of transmission and transfer case. Ensure there is full engagement in all gears and 4WD ranges. Check battery connections and electrical component operations. Test-drive vehicle. Accessories

⚠ WARNING

Retorque all fasteners after 500 miles and after off road use. All body lift components should be visually inspected and fasteners retorqued during routine vehicle servicing.

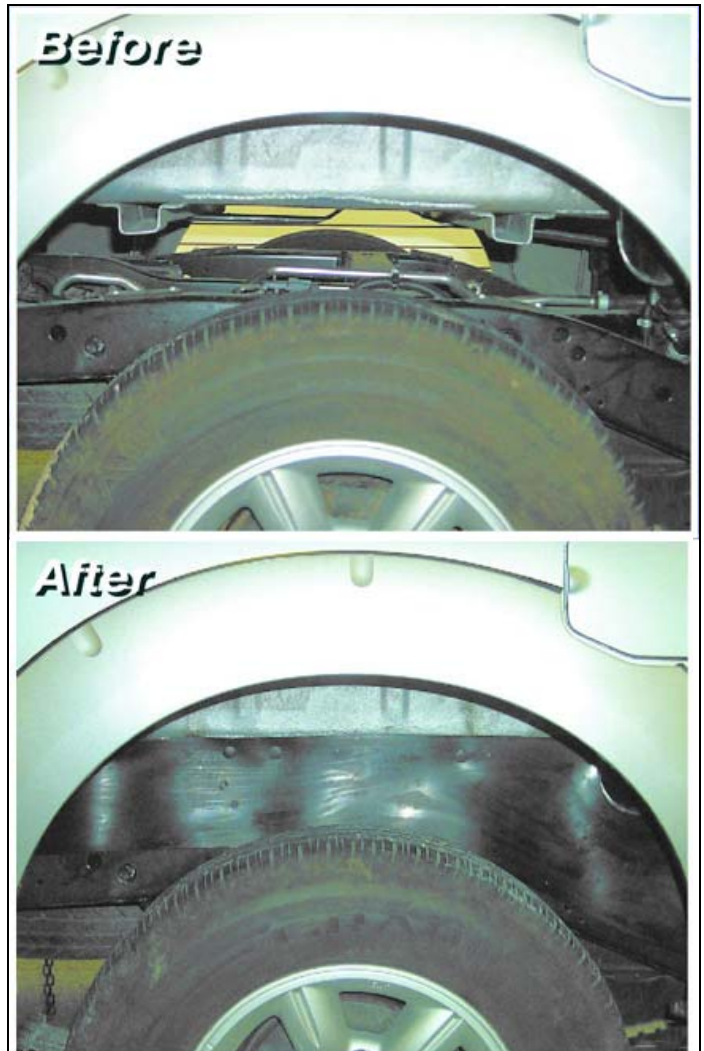
⚠ CAUTION

Performance Accessories does not recommend any particular wheel and tire combinations for use with its body lifts and cannot assume responsibility for the customer's choice of wheels and tires. Refer to your owner's manual for recommended tire sizes and warnings related to the use of oversized tires. Larger wheel and tire combinations increase stress and wear on steering and suspension components, which leads to increased maintenance and higher risk for component failure. Larger wheel and tire combinations also alter speedometer calibration, braking effectiveness, center of gravity, and handling characteristics. Consult an experienced local off road shop to find what wheel and tire combinations work best with your vehicle.

NOTE

All warranty information, instruction sheets, and other documents regarding the installation of this product must be retained by the vehicle owner. Information contained in the instructions and on the warranty card will be required for any warranty claims. The vehicle owner needs to understand the modifications made to the vehicle and how they affect vehicle handling and performance. Failure to provide the customer with this information can result in damage to the vehicle and severe personal injury.

Kit# PA6547 Gap Guards



KIT PARTS LIST

Qty. Description

16	Block
2	Block (mini)
4	Block (crush)
2	Bracket (bumper, front, left)
2	Bracket (bumper, front, right)
1	Bracket (bumper, rear, left)
1	Bracket (bumper, rear, right)
1	Label (logo)
1	Label (warning)
1	Loctite ® (6ml bottle)
1	BP10193 (Bolt pack)
8	Bolt (M12-1.75 x 100)
2	Bolt (M12-1.75 x 180)
6	Bolt (M14-2.0 x 180)
1	Bolt (3/8"-16 x 1-1/4")
1	Bolt (5/16"-18 x 1")
8	Bolt (1/2"-13 x 5-1/2")
1	Bracket (parking brake)
1	Extension (steering)
1	Nut (3/8"-16 Nylock)
1	Nut (5/16"-18 Nylock)
8	Washer (M12)
2	Washer (5/16" SAE)
2	Washer (3/8" SAE)
8	Washer (1/2" x 1-3/8")
1	HP10193 (Hardware pack)
2	Bolt (M10-1.5 x 40)
2	Bolt (1/4"-20 x 3")
4	Bolt (1/2"-13 x 3")
2	Bolt (5/8"-11 x 1-1/2")
4	Bolt (5/16"-18 x 3/4" self-tapping)
4	Bolt (7/16"-14 x 1-1/2")
2	Bracket (2" "S"-bend with stud)
1	Bracket (3" with stud)
5	Nut (1/4"-20 Nylock)
4	Nut (7/16"-14 Stover)
12	Nut (1/2"-13 Stover)
2	Nut (5/8"-11 Stover)
2	Nut (M10-1.5 Stover)
4	Sleeve (.75" OD x .532" ID x 3.35" L)
2	Spacer , (2" x .5 OD)
1	Pin , 4x4 extension, 1/2" X 1"
4	Washer (3/8" USS)
24	Washer (1/2" SAE)
7	Washer (1/4" SAE)
4	Washer (5/8" SAE)
8	Washer (7/16" SAE)