



# **SUPERLIFT®**

S U S P E N S I O N

## **SUPERLIFT® 4" Lift Kit for 2014 RAM 2500 / 3500 INSTALLATION INSTRUCTIONS**

### **INTRODUCTION**

Installation requires a professional mechanic. The overall vehicle must be in excellent working condition; repair or replace all worn parts.

**Read instructions several times before starting. Be sure you have all needed parts and know where they install. Read each step completely as you go.**

### **NOTES:**

- Prior to beginning the installation, check all parts and hardware in the box with the parts list below. If you find a packaging error, contact Superlift® directly. Do not contact the dealer where the system was originally purchased. You will need the control number from each box when calling; this number is located at the bottom of the part number label and to the right of the bar code.
- Front end alignment is necessary.
- An arrow on diagrams indicates which direction is toward the front of the vehicle.
- A foot-pound torque reading is given in parenthesis ( ) after each appropriate fastener.
- Do not fabricate any components to gain additional suspension height.
- Prior to drilling or cutting, check behind the surface being worked on for any wires, lines, or hoses that could be damaged.
- After drilling, file smooth any burrs and sharp edges.
- Prior to attaching components, be sure all mating surfaces are free of grit, grease, excessive undercoating, etc.
- A factory service manual should be on hand for reference.
- Use the check-off box "☐" found at each step to help you keep your place. Two "☐☐" denotes that one check-off box is for the driver side and one is for the passenger side. Unless otherwise noted, always start with the driver side.

**PARTS LIST ...** The part number is stamped into each part or printed on an adhesive label. Identify each part and place the appropriate mounting hardware with it.

# RAM 2500 MODELS

K KIT BREAKDOWN					
Kit Part Number K969			Kit Part Number K969B		
Part Number	Qty.	Description	Part Number	Qty.	Description
240	1	coil springs, front	240	1	coil springs, front
241	1	coil springs, rear	241	1	coil springs, rear
4685	1	radius arms	4685	1	radius arms
4684	1	brackets, front w/Superide shocks	4684	1	brackets, front w/Bilstein shocks

KIT BREAKDOWN					
Kit Part Number 4684			Kit Part Number 4684B		
Part Number	Qty.	Description	Part Number	Qty.	Description
01-4012	1	pitman arm	01-4012	1	pitman arm
01-4620	2	polyurethane bump stop, front	01-4620	2	polyurethane bump stop, front
01-88510	2	shock, front	BE5-6646-H5	4	shock, front
01-88520	2	shock, rear	55-01-4683	1	track bar bracket, front
55-01-4683	1	track bar bracket, front	55-06-4683	1	brakeline bracket, rear
55-06-4683	1	brakeline bracket, rear	55-09-4683	2	bump stop bracket, rear
55-09-4683	2	bump stop bracket, rear	55-10-4683	2	sway bar bracket, rear
55-10-4683	2	sway bar bracket, rear	55-12-4683	1	sway bar drop bracket, front passenger
55-12-4683	1	sway bar drop bracket, front passenger	55-13-4683	1	sway bar drop bracket, front driver
55-13-4683	1	sway bar drop bracket, front driver	55-17-4683	1	track bar bracket, rear
55-17-4683	1	track bar bracket, rear	55-23-4683	1	brake line bracket, front driver
55-23-4683	1	brake line bracket, front driver	55-24-4683	1	brake line bracket, front passenger
55-24-4683	1	brake line bracket, front passenger	77-4684A	1	hardware bag, front
77-4684A	1	hardware bag, front	77-4684B	1	hardware bag, rear
77-4684B	1	hardware bag, rear	77-4684C	1	hardware bag, sl
77-4684C	1	hardware bag, sl	77-4684D	1	hardware bag, shocks
77-4684D	1	hardware bag, shocks			
			Kit Part Number 240		
			Part Number	Qty.	Description
			01-240	2	coil spring, front
			Kit Part Number 241		
			Part Number	Qty.	Description
			01-241	2	coil spring, rear

HARDWARE BREAKDOWN					
Kit Part Number 77-4684A			Kit Part Number 77-4684B		
Part Number	Qty.	Description	Part Number	Qty.	Description
12C8SN	1	1/2" stover nut	12SW	1	1/2" SAE washer
12SW	4	1/2" SAE washer	12X114C5CS	1	1/2" x 1-1/4" coarse thread bolt
12X134C5CS	1	1/2" x 1-3/4" coarse thread bolt	14MFW	2	14mm flat washer
14C5NN	3	1/4" SAE washer	14MLN	1	14mm stover nut
14SW	3	1/4" Nyloc nut	14MX2X110CS	1	14mm x 110mm bolt
14X1C5CS	1	1/4" x 1" coarse thread bolt	38C5NN	6	3/8" Nyloc nut
14X34C5CS	2	1/4" x 3/4" coarse thread bolt	38SW	10	3/8" SAE washer
18MFW	2	18mm flat washer	38X1C5CS	6	3/8" x 1" coarse thread bolt
18MLN	1	18mm stover nut	516C5NN	2	5/16" Nyloc nut
18MX2.5X80CS	1	18mm x 80mm bolt	516SW	4	5/16" SAE washer
716C5NN	4	7/16" Nyloc nut	516X34C5CS	2	5/16" x 3/4" coarse thread bolt
716SW	4	7/16" SAE washer	716C5NN	2	7/16" Nyloc nut
716X114C5CS	4	7/16" x 1-1/4" coarse thread bolt	716C8SN	1	7/16" stover nut
			716SW	3	7/16" SAE washer
			716X1C5CS	2	7/16" x 1" coarse thread bolt
			716X4C5CS	1	7/16" x 4" coarse thread bolt
			Kit Part Number 77-4684C		
			Part Number	Qty.	Description
			08-4683	2	rear track bar sleeve
			55-12-4540	1	rear track bar tab nut
			55-20-4683	1	step washer

# RAM 2500 MODELS

Step	Part Number	Qty. per Kit	Description	Qty. per Bracket	New Attaching Hardware	Hardware Bag Number
5	55-01-4683	1	track bar bracket, front	1	55-20-4683 step washer	77-4684C
				1	18mm x 80mm bolt	77-4684A
				2	18mm flat washer	
				1	18mm stover nut	
				1	1/2" x 1-3/4" coarse thread bolt	
				1	1/2" stover nut	
				1	1/2" SAE washer	
6	55-21-4683	1	radius arm, driver			
6	55-22-4683	1	radius arm, passenger			
7	01-4620	2	polyurethane bump stop, front			
8	01-88510 or BE5-6646-H5	2	shock cylinder, front Superide	1	shock eye sleeve	77-4684D
				1	shock eye bushing	
				1	shock stem bushing and washer pack	
9	01-240	2	coil spring, front			
10	01-4012	1	pitman arm			
10	55-12-4683	1	sway bar drop bracket, front passenger	2	7/16" x 1-1/4" coarse thread bolt	77-4684A
				2	7/16" SAE washer	
				2	7/16" Nyloc nut	
10	55-13-4683	1	sway bar drop bracket, front driver	2	7/16" x 1-1/4" coarse thread bolt	77-4684A
				2	7/16" SAE washer	
				2	7/16" Nyloc nut	
11	55-23-4683	1	brake line bracket, front driver	1	1/4" x 3/4" coarse thread bolt	77-4684A
				1	1/4" SAE washer	
				1	1/4" Nyloc nut	
11	55-24-4683	1	brake line bracket, front passenger	1	1/4" x 1" coarse thread bolt	77-4684A
				1	1/4" x 3/4" coarse thread bolt	
				2	1/4" SAE washer	
				2	1/4" Nyloc nut	
19	01-241	2	coil spring, rear			
20	55-10-4683	2	sway bar bracket, rear	1	3/8" x 1" coarse thread bolt	77-4684B
				1	3/8" SAE washer	
				1	3/8" Nyloc nut	
				1	7/16" x 1" coarse thread bolt	
				1	7/16" SAE washer	
				1	7/16" Nyloc nut	
21	01-88520 or BE5-6646-H5	2	shock cylinder, rear Superide	1	shock eye sleeve	77-4684D
				1	shock eye bushing	
				1	shock stem bushing and washer pack	
22	55-09-4683	2	bump stop bracket, rear	2	3/8" x 1" coarse thread bolt	77-4684B
				4	3/8" SAE washer	
				2	3/8" Nyloc nut	
23	55-17-4683	1	track bar bracket, rear	2	08-4683 sleeve	77-4684C
				1	55-12-4540 tab nut	
				1	14mm x 110mm bolt	77-4684B
				2	14mm flat washer	
				1	14mm stover nut	
				1	1/2" x 1-1/4" coarse thread bolt	
				1	1/2" SAE washer	
				1	7/16" x 4" coarse thread bolt	
				1	7/16" SAE washer	
1	7/16" stover nut					
24	55-06-4683	1	brakeline bracket, rear	2	5/16" x 3/4" coarse thread bolt	77-4684B
				4	5/16" SAE washer	
				2	5/16" Nyloc nut	

# RAM 3500 MODELS

K KIT BREAKDOWN					
Kit Part Number K144			Kit Part Number K144B		
Part Number	Qty.	Description	Part Number	Qty.	Description
240	1	coil springs, front	240	1	coil springs, front
4685	1	radius arms	4685	1	radius arms
4691	1	brackets, front w/Superide shocks	4691B	1	brackets, front w/Bilstein shocks
4693	1	brackets, rear w/Superide shocks	4693B	1	brackets, rear w/Bilstein shocks

KIT BREAKDOWN																							
Kit Part Number 4691			Kit Part Number 240																				
Part Number	Qty.	Description	Part Number	Qty.	Description																		
01-4012	1	pitman arm	01-240	2	coil spring, front																		
01-4620	2	polyurethane bump stop, front	<b>Kit Part Number 4685</b>																				
01-88510	2	shock, front Superide																					
55-01-4683	1	track bar bracket, front	<table border="1"> <thead> <tr> <th>Part Number</th> <th>Qty.</th> <th>Description</th> </tr> </thead> <tbody> <tr> <td>55-21-4683</td> <td>1</td> <td>radius arm, driver</td> </tr> <tr> <td>55-22-4683</td> <td>1</td> <td>radius arm, passenger</td> </tr> </tbody> </table>			Part Number	Qty.	Description	55-21-4683	1	radius arm, driver	55-22-4683	1	radius arm, passenger									
Part Number	Qty.	Description																					
55-21-4683	1	radius arm, driver																					
55-22-4683	1	radius arm, passenger																					
55-12-4683	1	sway bar drop bracket, front passenger																					
55-13-4683	1	sway bar drop bracket, front driver	<b>Kit Part Number 4693</b>																				
55-23-4683	1	brake line bracket, front driver																					
55-24-4683	1	brake line bracket, front passenger	<table border="1"> <thead> <tr> <th>Part Number</th> <th>Qty.</th> <th>Description</th> </tr> </thead> <tbody> <tr> <td>023</td> <td>2</td> <td>2" blocks, rear</td> </tr> <tr> <td>10992</td> <td>4</td> <td>9/16" x 4-1/8" x 13-1/4" ubolt</td> </tr> <tr> <td>01-85150</td> <td>2</td> <td>shock, rear Superide</td> </tr> <tr> <td>77-80033</td> <td>1</td> <td>hardware bag, shocks</td> </tr> <tr> <td>77-1509</td> <td>1</td> <td>hardware bag, ubolt</td> </tr> </tbody> </table>			Part Number	Qty.	Description	023	2	2" blocks, rear	10992	4	9/16" x 4-1/8" x 13-1/4" ubolt	01-85150	2	shock, rear Superide	77-80033	1	hardware bag, shocks	77-1509	1	hardware bag, ubolt
Part Number	Qty.	Description																					
023	2	2" blocks, rear																					
10992	4	9/16" x 4-1/8" x 13-1/4" ubolt																					
01-85150	2	shock, rear Superide																					
77-80033	1	hardware bag, shocks																					
77-1509	1	hardware bag, ubolt																					
77-4684A	1	hardware bag, front																					
77-80026	2	hardware bag, shocks	<b>OR</b>																				
<b>OR</b>																							
<b>Kit Part Number 4691B</b>			<b>Kit Part Number 4693B</b>																				
Part Number	Qty.	Description	Part Number	Qty.	Description																		
01-4012	1	pitman arm	023	2	2" blocks, rear																		
01-4620	2	polyurethane bump stop, front	10992	4	9/16" x 4-1/8" x 13-1/4" ubolt																		
BE5-6646-H5	2	shock, front Bilstein	01-85150	2	shock, rear Superide																		
55-01-4683	1	track bar bracket, front	77-80033	1	hardware bag, shocks																		
55-12-4683	1	sway bar drop bracket, front passenger	77-1509	1	hardware bag, ubolt																		
55-13-4683	1	sway bar drop bracket, front driver	<b>OR</b>																				
55-23-4683	1	brake line bracket, front driver	<b>Kit Part Number 4693B</b>																				
55-24-4683	1	brake line bracket, front passenger	<table border="1"> <thead> <tr> <th>Part Number</th> <th>Qty.</th> <th>Description</th> </tr> </thead> <tbody> <tr> <td>023</td> <td>2</td> <td>2" blocks, rear</td> </tr> <tr> <td>10992</td> <td>4</td> <td>9/16" x 4-1/8" x 13-1/4" ubolt</td> </tr> <tr> <td>BE5-6249-H5</td> <td>2</td> <td>shock, rear Bilstein</td> </tr> <tr> <td>77-1509</td> <td>1</td> <td>hardware bag, ubolt</td> </tr> </tbody> </table>			Part Number	Qty.	Description	023	2	2" blocks, rear	10992	4	9/16" x 4-1/8" x 13-1/4" ubolt	BE5-6249-H5	2	shock, rear Bilstein	77-1509	1	hardware bag, ubolt			
Part Number	Qty.	Description																					
023	2	2" blocks, rear																					
10992	4	9/16" x 4-1/8" x 13-1/4" ubolt																					
BE5-6249-H5	2	shock, rear Bilstein																					
77-1509	1	hardware bag, ubolt																					
77-4684A	1	hardware bag, front	<b>OR</b>																				
<b>OR</b>																							

HARDWARE BREAKDOWN																	
Kit Part Number 77-4684A			Kit Part Number 77-80026														
Part Number	Qty.	Description	Part Number	Qty.	Description												
12C8SN	1	1/2" stover nut	02-2210	1	shock eye sleeve												
12SW	4	1/2" SAE washer	142731	1	shock stem bushing and washer pack												
12X134C5CS	1	1/2" x 1-3/4" coarse thread bolt	01-60419	1	shock eye bushing												
14C5NN	3	1/4" SAE washer	<b>Kit Part Number 77-80033</b>														
14SW	3	1/4" Nyloc nut															
14X1C5CS	1	1/4" x 1" coarse thread bolt	<table border="1"> <thead> <tr> <th>Part Number</th> <th>Qty.</th> <th>Description</th> </tr> </thead> <tbody> <tr> <td>01-60418</td> <td>4</td> <td>0.75" ID x 1.44" L bushing</td> </tr> <tr> <td>34sw</td> <td>4</td> <td>0.75" sae washer</td> </tr> <tr> <td>39-3480</td> <td>4</td> <td>0.75" OD x 0.5625" ID x 1.68" L</td> </tr> </tbody> </table>			Part Number	Qty.	Description	01-60418	4	0.75" ID x 1.44" L bushing	34sw	4	0.75" sae washer	39-3480	4	0.75" OD x 0.5625" ID x 1.68" L
Part Number	Qty.	Description															
01-60418	4	0.75" ID x 1.44" L bushing															
34sw	4	0.75" sae washer															
39-3480	4	0.75" OD x 0.5625" ID x 1.68" L															
14X34C5CS	2	1/4" x 3/4" coarse thread bolt	<b>Kit Part Number 77-1509</b>														
18MFW	2	18mm flat washer															
18MLN	1	18mm stover nut	<table border="1"> <thead> <tr> <th>Part Number</th> <th>Qty.</th> <th>Description</th> </tr> </thead> <tbody> <tr> <td>1511-B09</td> <td>8</td> <td>9/16" hi-nut</td> </tr> <tr> <td>916cw</td> <td>8</td> <td>9/16" washer</td> </tr> </tbody> </table>			Part Number	Qty.	Description	1511-B09	8	9/16" hi-nut	916cw	8	9/16" washer			
Part Number	Qty.	Description															
1511-B09	8	9/16" hi-nut															
916cw	8	9/16" washer															
18MX2.5X80CS	1	18mm x 80mm bolt	<b>OR</b>														
716C5NN	4	7/16" Nyloc nut															
716SW	4	7/16" SAE washer	<b>OR</b>														
716X114C5CS	4	7/16" x 1-1/4" coarse thread bolt															
<b>OR</b>			<b>OR</b>														

# RAM 3500 MODELS

Step	Part Number	Qty. per Kit	Description	Qty. per Bracket	New Attaching Hardware	Hardware Bag Number
5	55-01-4683	1	track bar bracket, front	1	18mm x 80mm bolt	77-4684A
				2	18mm flat washer	
				1	18mm stover nut	
				1	1/2" x 1-3/4" coarse thread bolt	
				1	1/2" stover nut	
				1	1/2" SAE washer	
6	55-21-4683	1	radius arm, driver			
6	55-22-4683	1	radius arm, passenger			
7	01-4620	2	polyurethane bump stop, front			
8	01-88510	2	shock cylinder, front Superide	1	shock eye sleeve	77-80026
	or			1	shock eye bushing	
	BE5-6646-H5	2	shock cylinder, front Bilstein	1	shock stem bushing and washer pack	
9	01-240	2	coil spring, front			
10	01-4012	1	pitman arm			
10	55-12-4683	1	sway bar drop bracket, front passenger	2	7/16" x 1-1/4" coarse thread bolt	77-4684A
				2	7/16" SAE washer	
				2	7/16" Nyloc nut	
10	55-13-4683	1	sway bar drop bracket, front driver	2	7/16" x 1-1/4" coarse thread bolt	77-4684A
				2	7/16" SAE washer	
				2	7/16" Nyloc nut	
11	55-23-4683	1	brake line bracket, front driver	1	1/4" x 3/4" coarse thread bolt	77-4684A
				1	1/4" SAE washer	
				1	1/4" Nyloc nut	
11	55-24-4683	1	brake line bracket, front passenger	1	1/4" x 1" coarse thread bolt	77-4684A
				1	1/4" x 3/4" coarse thread bolt	
				2	1/4" SAE washer	
				2	1/4" Nyloc nut	
31	023	2	2" lift block, rear	2	10992 - 9/16" x 4-1/8" x 13-1/4" ubolt	77-1509
				4	9/16" ubolt washer	
				4	9/16" Nyloc nut	
32	01-85150	2	shock cylinder, rear Superide	2	shock eye sleeve	77-80033
	or			2	shock eye bushing	
	BE5-6249-H5	2	shock cylinder, rear Bilstein	2	3/4" washer	

TOOLS REQUIRED:				
Ratchets	3/8" drive		Standard Wrenches	7/16"
	1/2" drive			1/2"
				9/16"
Metric Sockets	3/8" drive	13mm		5/8"
		10mm		7/8"
		15mm		15/16"
	1/2" drive	18mm		1-3/8"
		21mm		1-5/8"
		27mm		
		30mm	Metric Wrenches	18mm
				21mm
Standard Sockets	3/8" drive	1/2"		
		9/16"	Allen Wrenches	6mm
		5/8"		
		13/16"	Drill	
	1/2" drive	3/4"		
		1-1/16"	Drill Bit	3/8"
		1-13/16"		7/16"
				1/2"
			Breaker Bar	1/2"

## **FRONT DISASSEMBLY**

**NOTE:** Save all factory components and hardware for reuse, unless noted.

### **1) PREPARE VEHICLE...**

Place vehicle in neutral. Raise front of vehicle with a jack and secure a jack stand beneath each frame rail, behind the front radius arms. Ease the frame down onto the stands, place transmission in low gear or "park", and chock rear tires. Remove front tires.

### **2) ANTI-SWAY BAR BODY, TRACK BAR, DRAG LINK and PITMAN ARM...**

Disconnect the anti-sway bar body from the frame and axle.

Disconnect the track bar from the frame and loosen at the axle.

Disconnect the drag link at the pitman arm.

Note the orientation of the pitman arm in relation to the steering sector, then remove the nut securing the pitman arm to the steering sector shaft. Using the appropriate puller tool, detach the pitman arm from the sector shaft.

### **3) BRAKE LINE BRACKET, DRIVESHAFT and SHOCK ABSORBERS...**

Remove the brake line bracket from its attachment point on the frame

Disconnect the driveshaft at the axle.

Remove the shock absorbers and discard.

#### 4) VENT HOSE and COIL SPRINGS...

Disconnect the vent hose from the frame.

Lower the axle with a jack and remove the factory coil springs. Push down the alignment pin on the spring isolator and remove. Discard coil springs.

## **FRONT ASSEMBLY**

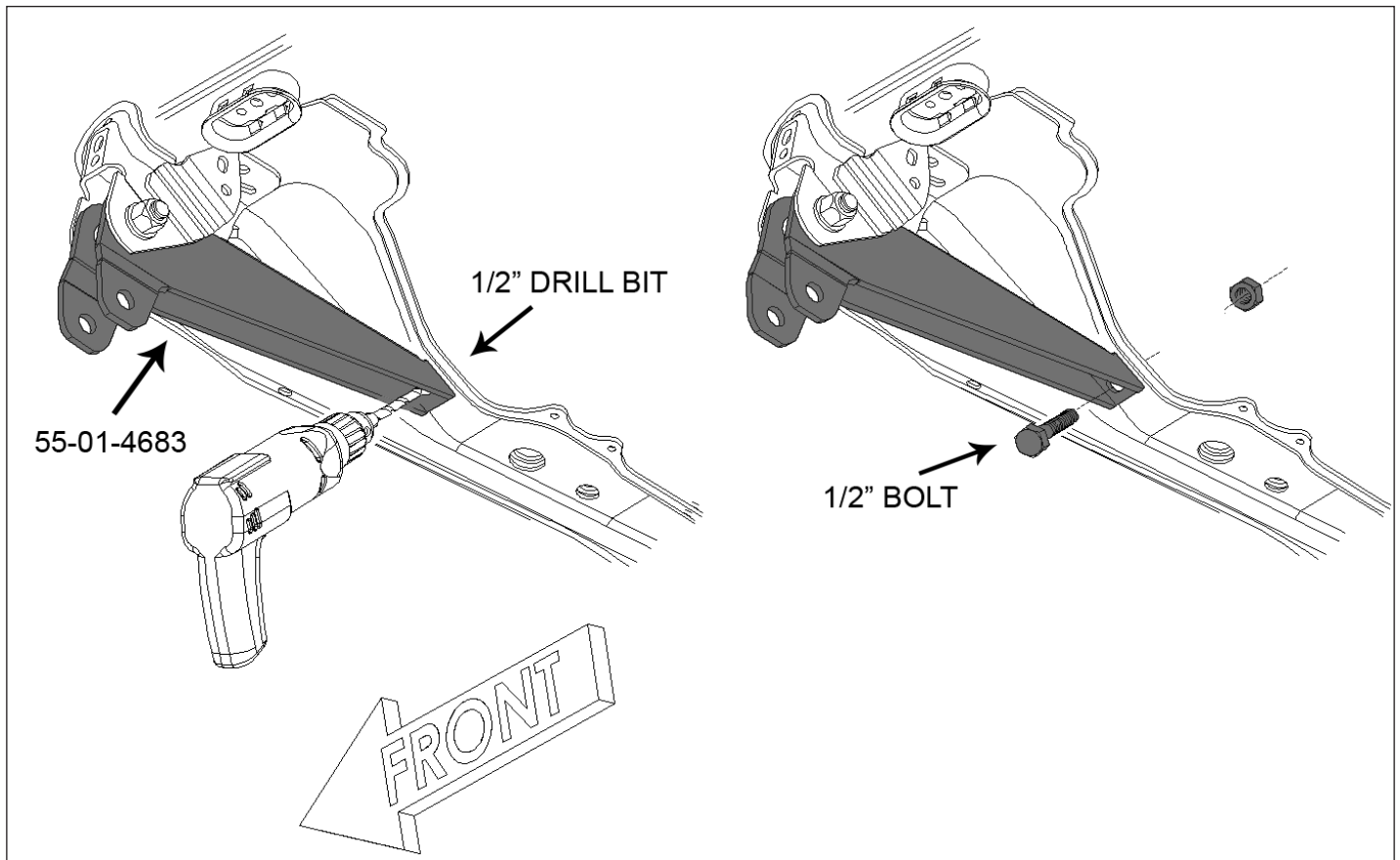
#### 5) TRACK BAR BRACKET...

[Illustration 1] Position the new track bar bracket (55-01-4683) inside the factory bracket. Holding the new bracket tightly against the frame crossmember, insert the factory bolt and hardware. Tighten (170).

Using the new bracket as a guide, drill a 1/2" hole through the frame crossmember. **Extra care must be taken to not drill into the oil pan. Place a block of wood or steel plate on top of the crossmember to help protect the oil pan when drilling.**

Once the hole has been drilled. Position the step washer (55-20-4683) on top of the frame crossmember. Install the supplied 1/2" bolt through the new bracket, crossmember, step washer, and Stover nut. Tighten (65).

#### Illustration 1



- Do not install the track bar at this time.

## 6) RADIUS ARMS...

- Start on the driver's side, place the jack under the passenger side arm and remove the driver's side radius arm bolts at the frame.
- Remove the top and lower bolts at the axle. Remove the arm and discard; retain hardware.
- Position the new radius arm (55-21-4683) in place and secure with the factory hardware. Snug but do not tighten axle hardware.
- Move to the passenger side, remove the jack.
- Remove the top and lower bolts at the axle. Remove the arm and discard; retain hardware.
- Position the new radius arm (55-22-4683) in place and secure with the factory hardware. Snug but do not tighten axle hardware.

## 7) REPLACEMENT BUMP STOPS...

- On each side, press a new bump stop (01-4620) in the factory bump stop cups. Be sure the lip of the cup is fully engaged in the recess of each bump stop.

## 8) SHOCK ABSORBERS...

- Install the supplied bushings and sleeves into the shock cylinders (01-88510).
- Install the shocks into the upper mount on the vehicle using the supplied upper stem bushing and washer pack; the lower mount will be attached in a later step.

## 9) COIL SPRINGS...

- Place the coil spring isolator on the new springs (01-240) and insert coil springs.
- Raise the axle and attach the shock absorber to the lower mount with the factory hardware. Tighten (110).

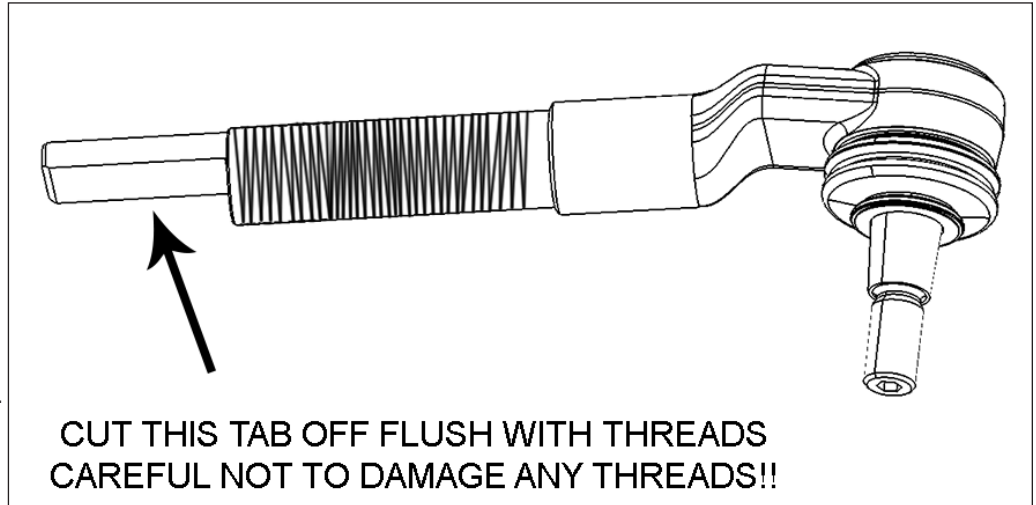
## 10) DRIVESHAFT, ANTI-SWAY BAR BODY, PITMAN ARM and DRAG LINK...

- Reattach the driveshaft, tighten (45).
- Install the anti-sway bar body drop brackets on the frame (55-12-4683 passenger side and 55-13-4683 driver side) using the factory hardware (50). Reattach the anti-sway bar body to the new brackets using the supplied 7/16" x 1-1/4" bolts, washers, and Nyloc nuts; tighten (50).
- Align the indexing splines of the new pitman arm with the steering sector shaft then secure using the factory hardware. Tighten (117).
- [Illustration 2] The threaded body end of the drag link end must be trimmed before it can be flipped and attached to the new pitman arm. Mark the end of the adjuster sleeve on both ends for reference. Cut the tab using a cutoff wheel or other appropriate tool. Do not damage any threads when trimming this tab.



□ Once the tab has been trimmed, thread the drag link back into the adjuster to the previous location and install into the pitman arm. (65)

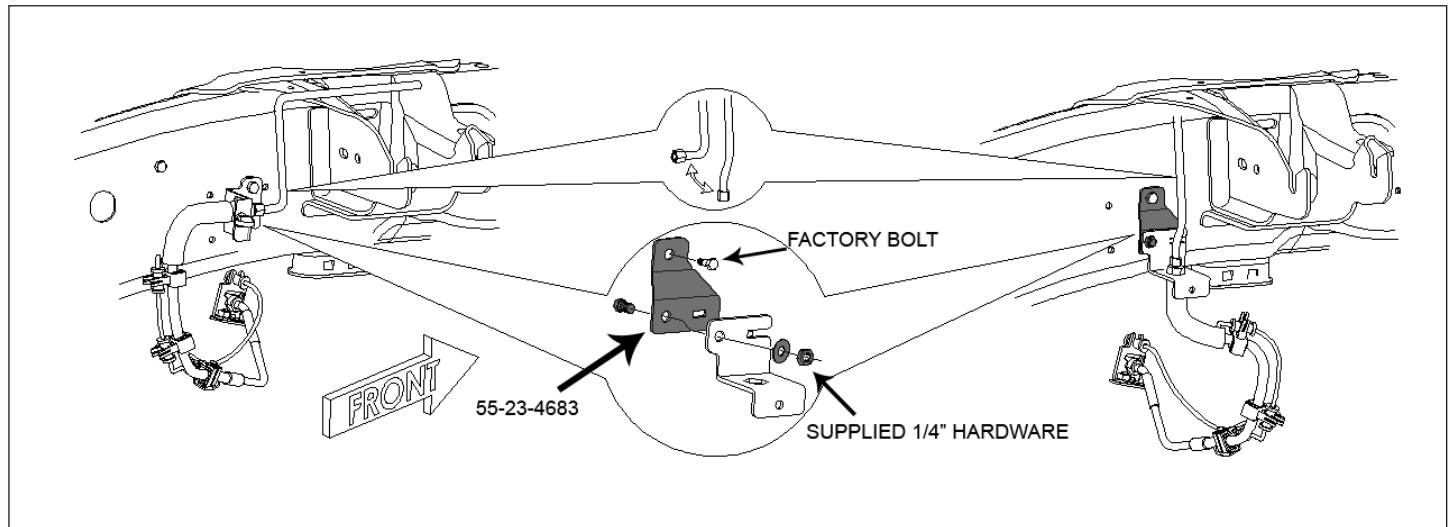
**Illustration 2**



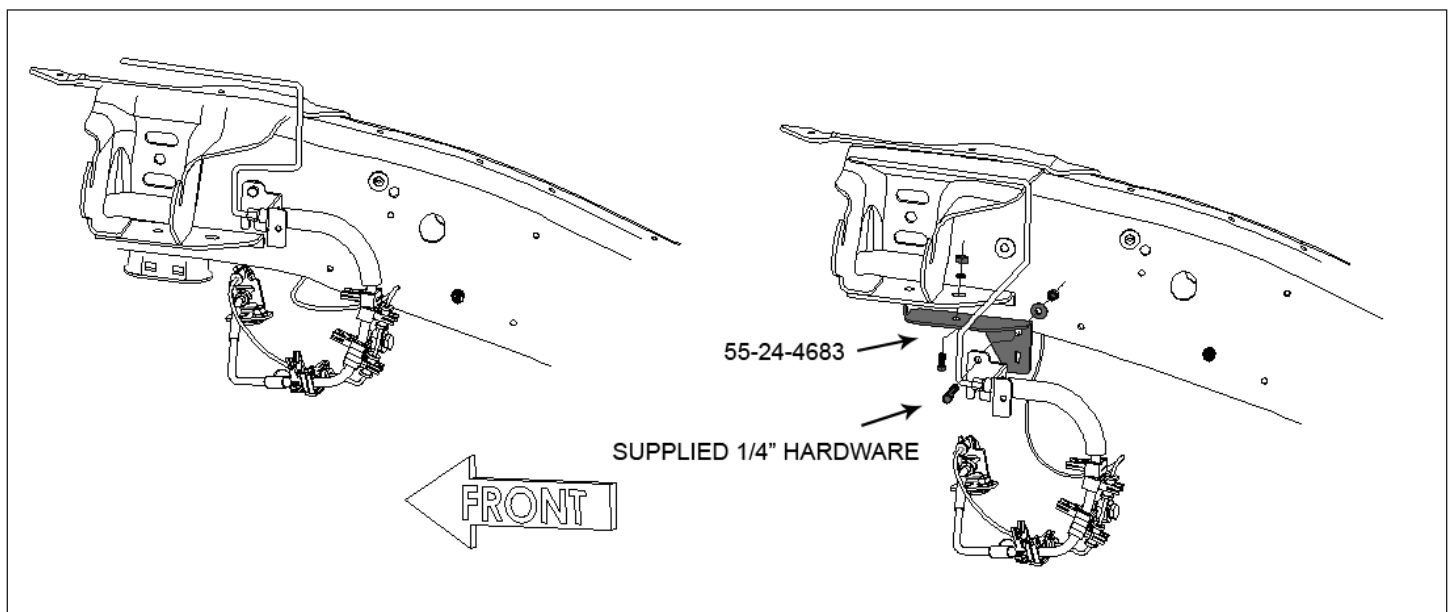
**11) BRAKE LINE BRACKET...**

□ [Illustration 3] Install the new driver's side brake line bracket (55-23-4683) to the frame using the factory hardware. Tighten (9). VERY CAREFULLY reform the brake line to fit into the new

**Illustration 3**



**Illustration 4**



bracket. DO NOT KINK THE LINE. Attach factory brake line bracket to the new bracket using supplied 1/4" x 3/4" bolt, washer and Nyloc nut. Tighten (8)

[Illustration 4] Install new passenger's side brake line bracket (55-24-4683) to the frame using supplied 1/4" x 1" bolt, washer, and Nyloc nut. Tighten (8). CAREFULLY extend factory brake line down allowing factory bracket to attach to the new bracket. Tighten (8).

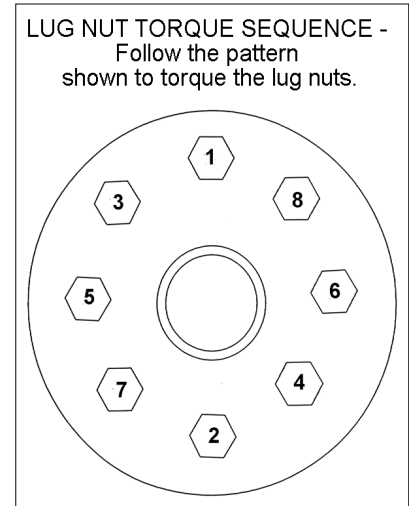
## 12) TIRES / WHEELS...

[Illustration 5] Reinstall the tires and wheels. Tighten the lug nuts (115) in the sequence shown.

**WARNING:** When the tires / wheels are installed, always check for and remove any corrosion, dirt, or foreign material on the wheel mounting surface, or anything that contacts the wheel mounting surface (hub, rotor, etc.). Installing wheels without the proper metal-to-metal contact at the wheel mounting surfaces can cause the lug nuts to loosen and the wheel to come off while the vehicle is in motion.

**WARNING:** Retighten lug nuts at 500 miles after any wheel change, or anytime the lug nuts are loosened. Failure to do so could cause wheels to come off while vehicle is in motion.

### **Illustration 5**



## 13) INITIAL CLEARANCE CHECK...

With the vehicle still on jack stands, and the suspension "hanging" at full extension travel, check all components for proper operation and clearances. Pay special attention to clearance between the tires / wheels and brake hoses, driveshaft, etc.

Lower vehicle to the floor.

## 14) FRONT TRACK BAR and RADIUS ARMS...

Reattach the front track bar to the new bracket using the supplied 18mm bolt, washers, and Stover nut. Tighten (170).

Tighten all radius arm bolts (250).

## **2500 RAM MODELS - REAR DISASSEMBLY**

3500 RAM section starts at step 28.

## 15) PREPARE VEHICLE...

Place vehicle in neutral. Raise rear of vehicle with a jack and secure a jack stand beneath each frame rail, in front of the rear link arms. Ease the frame down onto the stands, place transmission in low gear or "park", and chock rear tires. Place jack under axle and raise. Remove rear tires.

## 16) ANTI-SWAY BAR LINKS and TRACK BAR...

Disconnect the anti-sway bar links from the frame.

Unbolt the brake line bracket at the axle.

- Unclip the vent hose from the frame on the driver's side.
- Unbolt the track bar from the frame and loosen at the axle.

### 17) EMERGENCY BRAKE LINE BRACKET and LINK ARMS...

- Remove the emergency brake cable bracket from the LCA and cable line. Discard bracket.
- Disconnect the emergency brake bracket from the frame.
- Loosen both the upper and lower link arms at the axle and the frame.

### 18) SHOCK ABSORBERS and COIL SPRINGS...

- Lower the axle with a jack and remove the factory coil springs. Remove spring isolator. Discard coil springs. Remove and discard shock absorbers; retain hardware.

## **2500 RAM MODELS - REAR ASSEMBLY**

3500 RAM section starts at step 28.

### 19) COIL SPRINGS...

- Position the coil spring isolator on the new coil springs (01-241). Place the new coil springs on the axle coil seat.

### 20) ANTI-SWAY BAR LINK DROP BRACKETS...

- [Illustration 9] Place the new anti-sway bar drop bracket (55-10-4683) over the factory bracket. Mark the location of the top hole in the new bracket on the frame and drill to 3/8".

- Secure using the supplied 3/8" bolt, washers, and Nyloc nut in the top hole and the supplied 7/16" bolt, washers, and Nyloc nut in the middle hole. Do not connect the anti-sway bar links at this time.

### 21) SHOCK ABSORBERS..

- Install the supplied bushings and sleeves into the shock cylinders (01-88520).

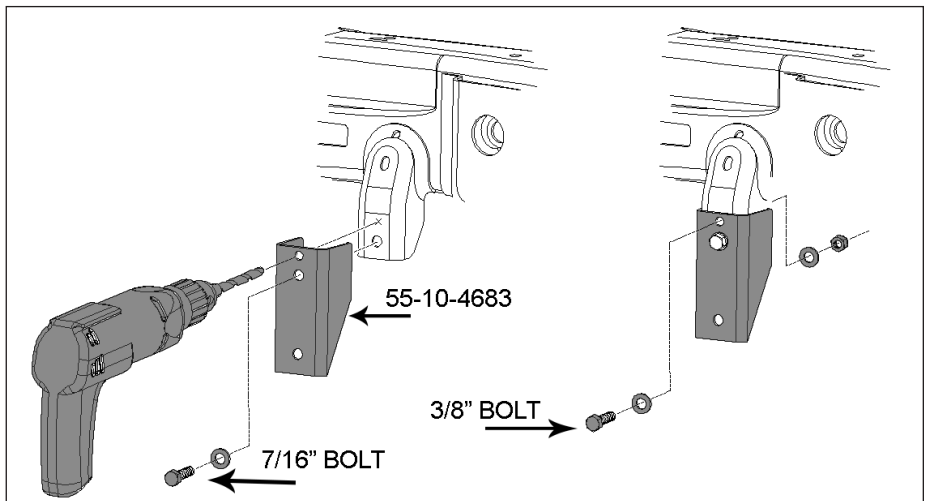
- Install the shocks into the upper mount on the vehicle using the supplied upper stem bushing and washer pack.

- Attach the shock absorber to the lower mount with the factory hardware. Tighten (110).

### 22) BUMP STOPS...

- Remove the factory bump stops from the frame.

**Illustration 9**



□□ Position the new bump stop drop brackets (55-09-4683) on the frame in the factory location and secure using the factory hardware. Tighten (45).

□□ Place the factory bump stop on the new bracket and secure using the supplied 3/8" bolts, washers, and Nyloc nuts. Tighten (30).

### 23) TRACK BAR BRACKET...

□ [Illustration 10] Measure 3/8" up from the bottom edge of the factory mount and cut straight cross both the front and back legs of the factory mount.

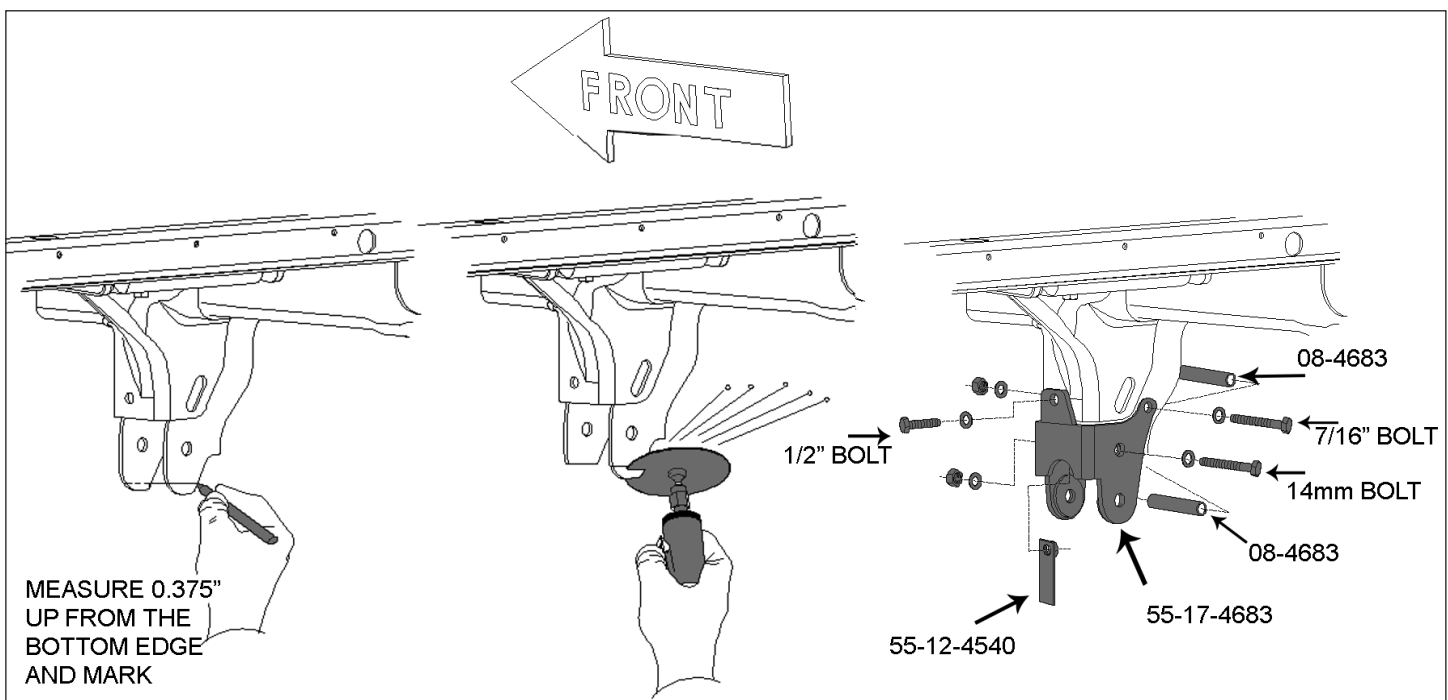
□ Position the new track bar mounting bracket (55-17-4683) over the factory bracket as shown with the top tab on the outside. Insert the supplied 14mm bolt and 1/2" bolt to hold bracket in place. Using the bracket as a template mark the top hole. Remove bracket and drill marked hole to 7/16".

□ Reposition the new track bar mounting (55-17-4683) over the factory bracket as shown with the top tab on the inside. Insert the supplied sleeve (08-4683) inside the bracket, centered with the 14mm bolt hole. Install the supplied 14mm x 110mm bolt, washers, and stover nut. Tighten (115).

□ Install the second sleeve (08-4683) inside the bracket, centered with the 7/16" bolt hole. Install the supplied 7/16" x 4" bolt, washer, and stover nut. Tighten (50).

□ Insert with the supplied 1/2" bolt, washer, and tab nut (55-12-4540) through the top hole. Tighten (65).

### Illustration 10



### 24) BRAKE LINE BRACKET...

□ Place the new brake line bracket (55-06-4683) over the factory brake line bracket mounting studs and secure with the factory hardware. Tighten (9).

- Position the factory brake line bracket over the top holes in the new bracket and secure using the supplied 5/16" bolts, washers, and nuts. Tighten (17).
- Reinstall the emergency brake bracket at the frame. Tighten (23).

## **25) TIRES / WHEELS...**

- [Illustration 5] Reinstall the tires and wheels. Tighten the lug nuts (95) in the sequence shown.

**WARNING:** When the tires / wheels are installed, always check for and remove any corrosion, dirt, or foreign material on the wheel mounting surface, or anything that contacts the wheel mounting surface (hub, rotor, etc.). Installing wheels without the proper metal-to-metal contact at the wheel mounting surfaces can cause the lug nuts to loosen and the wheel to come off while the vehicle is in motion.

**WARNING:** Retighten lug nuts at 500 miles after any wheel change, or anytime the lug nuts are loosened. Failure to do so could cause wheels to come off while vehicle is in motion.

## **26) CLEARANCE CHECK...**

- With the vehicle still on jack stands, and the suspension "hanging" at full extension travel, check all components for proper operation and clearances. Pay special attention to the clearance between the tires / wheels and brake hoses, wiring, etc.
- Lower vehicle to the floor.

## **27) REAR TRACK BAR, ANTI-SWAY BAR LINKS, and LINK ARMS...**

- Reattach the rear track bar to the new bracket using the factory hardware. Tighten (120).
- Tighten the upper and lower link arms at the frame and the axle. (405).
- Reattach the anti-sway bar links to the new brackets using the factory hardware. (55).

**SKIP TO STEP 35.**

## **3500 RAM MODELS - REAR ASSEMBLY**

2500 RAM section located at step 15

## **28) PREPARE VEHICLE...**

- Place vehicle in neutral. Raise rear of vehicle with a jack and secure a jack stand beneath each frame rail, in front of the rear link arms. Ease the frame down onto the stands, place transmission in low gear or "park", and chock rear tires. Place jack under axle and raise. Remove rear tires.

## **29) EMERGENCY BRAKE CABLE...**

- [Illustration 11] Locate the emergency brake cable retaining tab on the top of the rear differential. Remove the nut and pull tab off of the stud.
- [Illustration 12] Note the location of the brake cables within each hanger. Loosen the nut on the emergency brake cable adjuster at the frame.



**Illustration 11**

- [Illustration 13] Remove the lower emergency brake cable from the bracket and remove it from the frame mount.

**30) SHOCK ABSORBERS...**

- Remove the shock absorbers. Discard.

**31) INSTALLING BLOCKS...**

- [Illustration 14] Remove ubolts and then lower the axle several inches away from springs; discard the ubolts, factory blocks, and hardware.

- [Illustration 15] Clean spring pads of all debris. Position the Superlift block (023) on top of the axle pad with the center pin offset forward, then using the floor jack(s), mate the springs to the blocks, be sure that the center bolt heads seat properly. Install the new Superlift 9/16" ubolts (10992) and factory ubolt plate. Evenly torque the ubolts using an "X" tightening sequence. (150)

**32) SHOCK ABSORBERS...**

- Install the rear shock absorbers; Superide shocks must be installed with the cylinder body mounted at the axle (Superide 01-85150; Bilstein BE5-6249-H5). Position a supplied 3/4" SAE washer at the top and bottom of the shock on the inside of the bracket and tighten the upper and lower bolts.

**33) EMERGENCY BRAKE CABLE...**

- [Illustration 16] Route the disconnected emergency cable under the "second" frame mount and back through the first mount as originally installed.

**Illustration 12****Illustration 13****Illustration 14** axle several inches**Illustration 15**

- Reattach to the frame and adjuster bracket.

### 34) TIRES / WHEELS...

- [Illustration 17] Reinstall tires and wheels. Tighten the lug nuts in the sequence shown. (115)

**WARNING:** When the tires / wheels are installed, always check for and remove any corrosion, dirt, or foreign material on the wheel mounting surface, or anything that contacts the wheel mounting surface (hub, rotor, etc.). Installing wheels without the proper metal-to-metal contact at the wheel mounting surfaces can cause the lug nuts to loosen and the wheel to come off while the vehicle is in motion.

**WARNING:** Retighten lug nuts at 500 miles after any wheel change, or anytime the lug nuts are loosened. Failure to do so could cause wheels to come off while vehicle is in motion.

- Lower vehicle to the floor.

### 35) ALIGNMENT...

- Realign vehicle to factory specifications.

### 36) CLEARANCE CHECK...

- With the vehicle on the ground, check all components for proper operation and clearances. Pay special attention to the clearance between the tires / wheels, brake hoses, wiring, etc.

### 37) FOUR WHEEL DRIVE...

- Activate the four wheel drive system and check for proper engagement.

### 38) HEADLIGHTS...

- Re-adjust headlights to proper setting.

### 39) SUPERLIFT WARNING DECAL...

- The WARNING TO DRIVER decal installs on the inside / top / center of the windshield frame, just below the windshield frame's tie-down loop. Prior to installation, pre-clean the surface with the supplied alcohol cleaning pad.

### 40) SUPERLIFT BADGES...

- This kit is packaged with a Superlift badge. Prior to installation, use the supplied alcohol pad to eliminate all soap and or other non-adhering residues that may impair adhesion, thoroughly clean the entire area of placement.

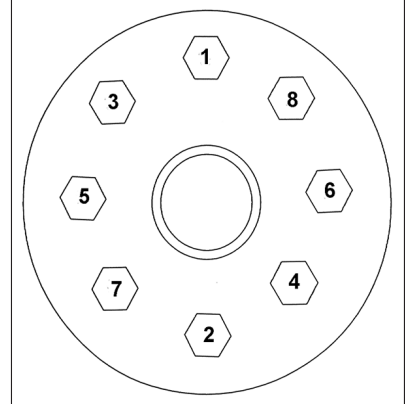
- Remove the adhesive back and place small badge in the desired location. The adhesive on our badges is pressure sensitive and must be applied using pressure on all areas of the graphic. Like any PSA (pressure sensitive adhesive), it can take up to 72 hours for the adhesive to fully cure. Once the badge is in place do not peel it up, this will diminish the adhesive properties and could result in

### Illustration 16



### Illustration 17

LUG NUT TORQUE SEQUENCE -  
Follow the pattern  
shown to torque the lug nuts.



damaging the badge itself

☐ To keep your Superlift badge in “like new” appearance keep the badge free/clear of solvents and chemicals that could cause the adhesive to dry or dissolve. This includes gasoline, diesel fuel, paint thinner, and alcohol. Soap and water is all that is needed for cleaning. Degreasers can be used sparingly and hand wiped/applied if needed, although not suggested.

### **Superlift, LLC, Limited Lifetime Warranty**

**What is covered?** Subject to the terms below, Superlift® will repair or replace its products found defective in materials or workmanship for so long as the original purchaser owns the vehicle on which the product was originally installed. Your warrantor is Superlift, LLC, doing business as Superlift® Suspension Systems (“Superlift®”).

**What is not covered?** Your Superlift® Limited Warranty does not cover products Superlift® determines to have been damaged by or subjected to:

- Alteration, modification or failure to maintain.
- Normal wear and tear (bushings, rod ends, etc.). Scratches or defects in product finishes (powder coating, plating, etc.).
- Damage to, or resulting from, the vehicle’s electronic stability system, related components or other vehicle systems.
- Racing or other vehicle competitions or contests. Accidents, impact by rocks, trees, obstacles or other aspects of the environment.
- Theft, vandalism or other intentional damage.

**Remedy Limited to Repair or Replacement.** The exclusive remedy provided hereunder shall, upon Superlift’s inspection and at Superlift’s option, be either repair or replacement of the product covered under this Limited Warranty. Customers requesting warranty consideration should contact Superlift® by phone (1-800-551-4955) to obtain a Returned Goods Authorization number. All removal, shipping and installation costs are customer’s responsibility.

If a replacement part is needed before the Superlift® part in question can be returned, you must first purchase the replacement part. Then, if the part in question is deemed warrantable, you will be credited / refunded.

### **Other Limitations - Exclusion of Damages - Your Rights Under State Law**

- Neither Superlift® nor your independent Superlift® dealer are responsible for any time loss, rental costs, or for any incidental, consequential or other damages you may have.
- This Limited Warranty gives you specific rights, and this is the only warranty Superlift® makes in connection with your product purchase. You may also have other rights that vary from state to state. For example, while all implied warranties are disclaimed herein, any implied warranty required by law is limited to the terms of our Limited Lifetime Warranty as described above. Some states do not allow limitations of how long an im-



plied warranty lasts and / or do not allow the exclusion or limitation of incidental or consequential damages, so the limitations and exclusions herein may not apply to you. Superlift® neither assumes nor authorizes any retailer or other person or entity to assume for it any other obligation or liability in connection with this product or Limited Warranty.

### **Superlift, LLC, Satisfaction Guarantee**

We want you to purchase our product with confidence and be 100% satisfied with the end result. If you have any legitimate issue, and Superlift® cannot rectify it to your satisfaction, Superlift® will take back the Superlift® brand product and refund the customer 100% of the product purchase price.

The details:

- Offer valid to the original retail consumer for six months after product purchase.
- May require a Superlift® dealer's participation in order to assist in "troubleshooting" the issue.
- Any costs related to labor, freight, incidental or consequential are not refunded.
- Refund will not exceed Superlift's® published retail price.

### **Important Product Use and Safety Information / Warnings**

As a general rule, the taller a vehicle is, the easier it will roll over. Offset, as much as possible, what is lost in rollover resistance by increasing tire track width. In other words, go "wide" as you go "tall"; always use as wide a tire and wheel combination as feasible to enhance vehicle stability. We strongly recommend, because of rollover possibility, that the vehicle be equipped with a functional roll bar and cage system. Seat belts and shoulder harnesses should be worn at all times. Avoid situations where a side rollover may occur.

Generally, braking performance and capabilities are decreased when significantly larger / heavier tires and wheels are used. Take this into consideration while driving. Also, changing axle gear ratios or using tires that are taller or shorter than factory height will cause an erroneous speedometer reading. On vehicles equipped with an electronic speedometer, the speed signal impacts other important functions as well. Speedometer recalibration for both mechanical and electronic types is highly recommended.

Do not add, alter, or fabricate any factory or aftermarket parts to increase vehicle height over the intended height of the Superlift® product purchased. Mixing component brands is not recommended.

### **SUPERLIFT SUSPENSION**

300 Huey Lenard Loop Rd.  
West Monroe, Louisiana 71292  
Phone: (318) 397-3000  
Sales / Tech: (800) 551-4955  
Fax: (318) 397-3040  
[www.superlift.com](http://www.superlift.com)