

***Air Lift*1000**

by AIR LIFT®

Kit 60816

***Buick Enclave,
GMC Acadia, Saturn
Outlook***



*Cover illustration
may not depict
actual kit.*



INSTALLATION GUIDE

For maximum effectiveness and safety, please read these instructions completely before proceeding with installation.

Failure to read these instructions can result in an incorrect installation.



TABLE OF CONTENTS



| | |
|--|-----------|
| Introduction | 2 |
| Important Safety Notice | 2 |
| Notation Explanation | 2 |
| | |
| Installing the Air Lift 1000 System | 3 |
| Preparing the Vehicle | 3 |
| Installing the Air Spring | 5 |
| Installing the Air Line | 5 |
| Tee Air Line Routing | 5 |
| Dual Air Line Routing | 7 |
| Completing the Installation | 8 |
| | |
| Maintenance and Servicing | 9 |
| Maintenance Guidelines | 9 |
| Operating Tips | 9 |
| | |
| Product Use | 10 |
| Frequently Asked Questions | 10 |
| Tuning the Air Pressure | 10 |
| Guidelines for Adding Air | 11 |
| | |
| Replacement Information | 11 |
| | |
| Contact Information | 11 |
| | |
| Warranty and Return Policy | 12 |

Introduction

The purpose of this publication is to assist with the installation, maintenance and troubleshooting of the Air Lift 1000 air spring kit.

It is important to read and understand the entire installation guide before beginning installation or performing any maintenance, service or repair. The information here includes a hardware list, tools list, step-by-step installation information, maintenance guidelines and operating tips.

Air Lift Company reserves the right to make changes and improvements to its products and publications at any time. Contact Air Lift Company at (800) 248-0892 or go online at www.airliftcompany.com for the latest version of this manual.

IMPORTANT SAFETY NOTICE

The installation of this kit does not alter the Gross Vehicle Weight Rating (GVWR) or payload of the vehicle. Check your vehicle's owner's manual and do not exceed the maximum load listed for your vehicle.

Gross Vehicle Weight Rating: The maximum allowable weight of the fully loaded vehicle (including passengers and cargo). This number — along with other weight limits, as well as tire, rim size and inflation pressure data — is shown on the vehicle's Safety Compliance Certification Label.

Payload: The combined, maximum allowable weight of cargo and passengers that the truck is designed to carry. Payload is GVWR minus the Base Curb Weight.

NOTATION EXPLANATION

Hazard notations appear in various locations in this publication. Information which is highlighted by one of these notations must be observed to help minimize risk of personal injury or possible improper installation which may render the vehicle unsafe. Notes are used to help emphasize areas of procedural importance and provide helpful suggestions. The following definitions explain the use of these notations as they appear throughout this guide.

 DANGER

INDICATES IMMEDIATE HAZARDS WHICH WILL RESULT IN SEVERE PERSONAL INJURY OR DEATH.

 WARNING

INDICATES HAZARDS OR UNSAFE PRACTICES WHICH COULD RESULT IN SEVERE PERSONAL INJURY OR DEATH.

 CAUTION

INDICATES HAZARDS OR UNSAFE PRACTICES WHICH COULD RESULT IN DAMAGE TO THE MACHINE OR MINOR PERSONAL INJURY.

NOTE

Indicates a procedure, practice or hint which is important to highlight.

HARDWARE LIST

| Item | Part # | Description.....Qty |
|------|--------|-------------------------|
| A | 46141 | Air spring.....2 |
| B | 20315 | Hose 15'.....1 |
| C | 10466 | Tie strap.....4 |
| D | 21230 | Valve cap.....2 |
| E | 21233 | 5/16" Hex nut.....4 |
| F | 21234 | Rubber washer.....2 |
| G | 18411 | Star washer.....2 |
| H | 18405 | 5/16" Flat washer.....2 |
| I | 21236 | Tee.....4 |
| J | 21455 | Valve.....4 |
| K | 33107 | Heat shield kit.....1 |

TOOLS LIST

| Description.....Qty |
|--|
| Hoist or floor jacks.....2 |
| Safety stands.....1 |
| Safety glasses.....1 |
| Metric and standard sockets/ratchet and wrenches.....1 |
| Drill, drill bits.....1 |
| Grinder or dremel tool.....1 |
| Pliers.....1 |
| Air compressor or compressed air source.....1 |
| Spray bottle with dish soap/water solution.....1 |

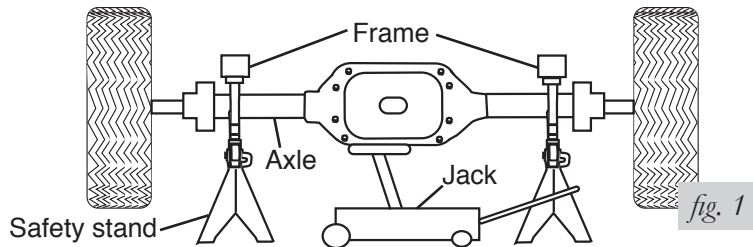


Missing or damaged parts? Call Air Lift customer service at (800) 248-0892 for a replacement part.

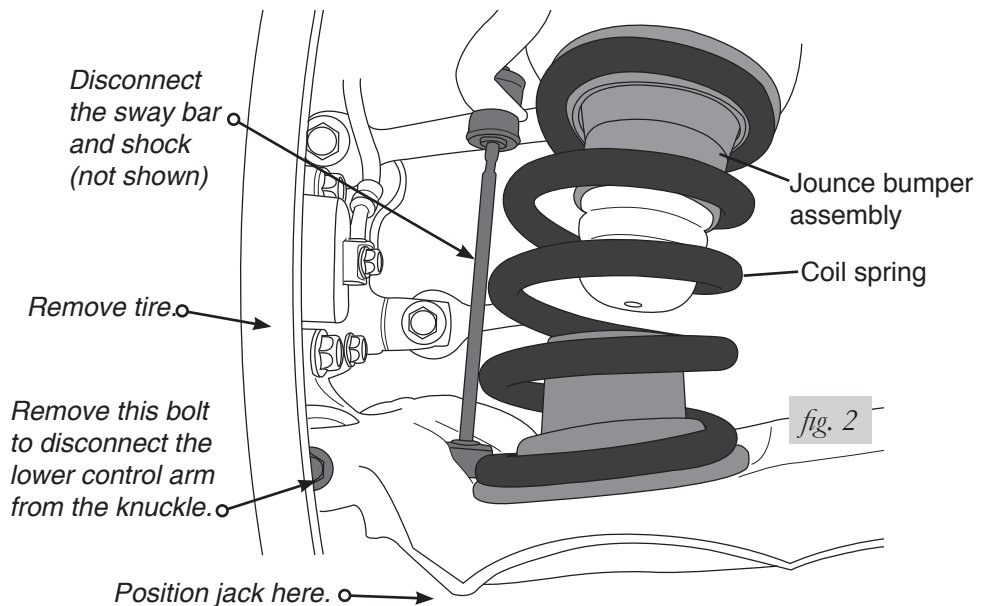
Installing the Air Lift 1000 System

PREPARING THE VEHICLE

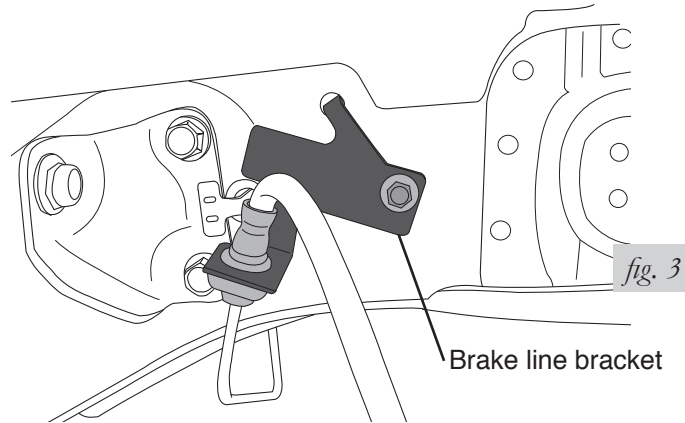
1. Jack up the rear of the vehicle or raise on a hoist. Support the frame with safety stands so that the wheels hang (fig. 1). Remove the rear wheels.



2. Position a floor or an adjustable jack stand under the control arm (fig. 2). Disconnect the sway bar and the shock from the lower control arm.



- Unbolt the brake line bracket from the side of the frame and pull away so it is loose (fig. 3).

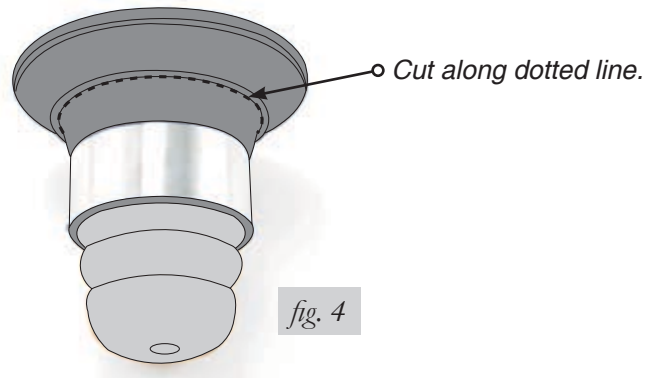


- With the lower control arm supported from the jack or adjustable jack stand, remove the bolt that connects the lower control arm to the knuckle (where the wheel is attached to the control arm) (fig. 2).

CAUTION

THE LOWER CONTROL ARM IS UNDER PRESSURE FROM THE COIL SPRING. USE CAUTION DURING THIS STEP FOR SAFETY PURPOSES.

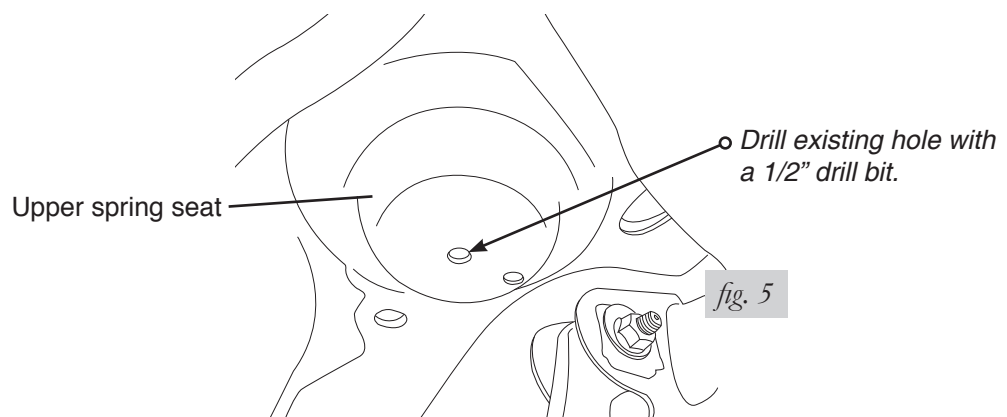
- Lower the floor jack gradually until tension is released and the coil spring can be removed.
- Remove the coil spring and jounce bumper assembly at the top (fig. 2).
- Cut the jounce bumper in two above the rubber isolator using a hack saw or cut-off wheel (fig. 4).



- In order to make and maintain the hose clearance, it will be necessary to increase the hole size in the center of the upper spring seat (fig. 5). Drill out to 1/2" and then using an air grinder or dremmel tool, open the hole up to a 3/4" diameter.

NOTE

Remove any burrs or sharp edges.



INSTALLING THE AIR SPRING

1. Insert the cylinder back into the coil spring with the stem up. Set the trimmed jounce bumper on the top of the coil spring and insert it back in between the upper and lower control arm.

NOTE

The coil spring may have an index into the lower control arm, be sure to install the coil spring back in correctly.

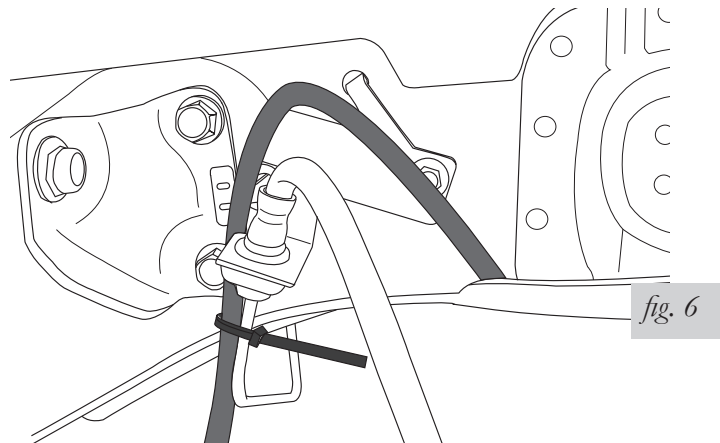
2. While centering the upper coil spring in the spring seat, raise the lower control arm up enough to insert the knuckle/lower control arm retaining bolt. Do not tighten at this time.
3. Raise and lower the control arm up and down while watching the stem on the cylinder. If interference is noted from the new hole in the upper spring seat hitting on the stem or cylinder boss, grind the new upper spring seat hole for clearance.
4. Raise the control arm up far enough to just pick the vehicle up off the safety jack and torque the flange bolt to 147 ft/lbs. Reinstall the brake line bracket on the side of the frame, lower the shock bolt and sway bar to the lower control arm.

INSTALLING THE AIR LINE

1. Lower the control arms back down to help in connecting the hose to the cylinder.
2. Insert the hose through the hole previously drilled for the valve stem and up through the front opening in the outer frame/upper spring seat reinforcement (fig. 6).

NOTE

It may be easier to run the hose down to the cylinder through this opening.



A tee air line installation is recommended. If the weight in the vehicle varies from one side to the other and unequal pressures are needed to level the load or compensate for axle torque transfer in racing applications, use dual air lines (see page 7).

TEE AIR LINE ROUTING

CAUTION

TO PREVENT THE AIR LINE FROM MELTING, MAINTAIN AT LEAST 8" FROM THE EXHAUST SYSTEM TO THE AIR LINE.

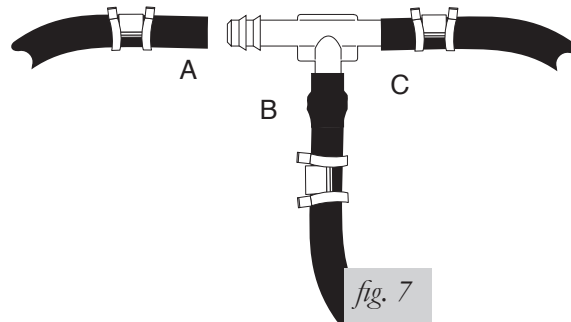
1. Locate the desired tee location on the frame rail or cross member. Determine and cut an adequate length of air line to reach from the tee to the left and right side air springs.

CAUTION

LEAVE SUFFICIENT AIR LINE SLACK TO PREVENT ANY STRAIN ON THE FITTING DURING AXLE MOTIONS.

2. Slide an air line clamp onto the air line.

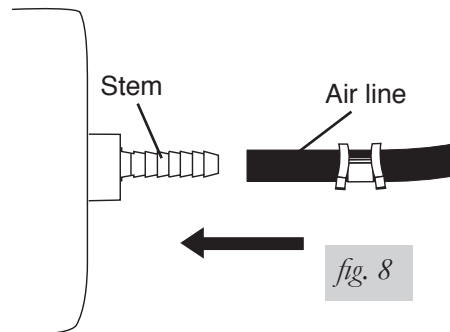
3. Push the air line over one side of the tee until all the barbs are covered. With a pair of pliers, slide the air line clamp forward until it fully covers the barbed section. Repeat the entire procedure for the other leg of the tee (fig. 7).
4. Route the air line along the cross member and either the lower control arm or the upper spring seat to the air spring.



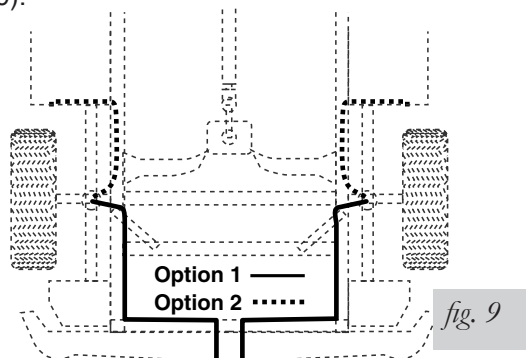
Use this procedure for all air line connections:

- a. Slide the air line clamp onto the air line.
- b. Push the air line over the barbed stem.
- c. Compress the ears on the air line clamp with pliers and slide it forward to fully cover the barbed section.

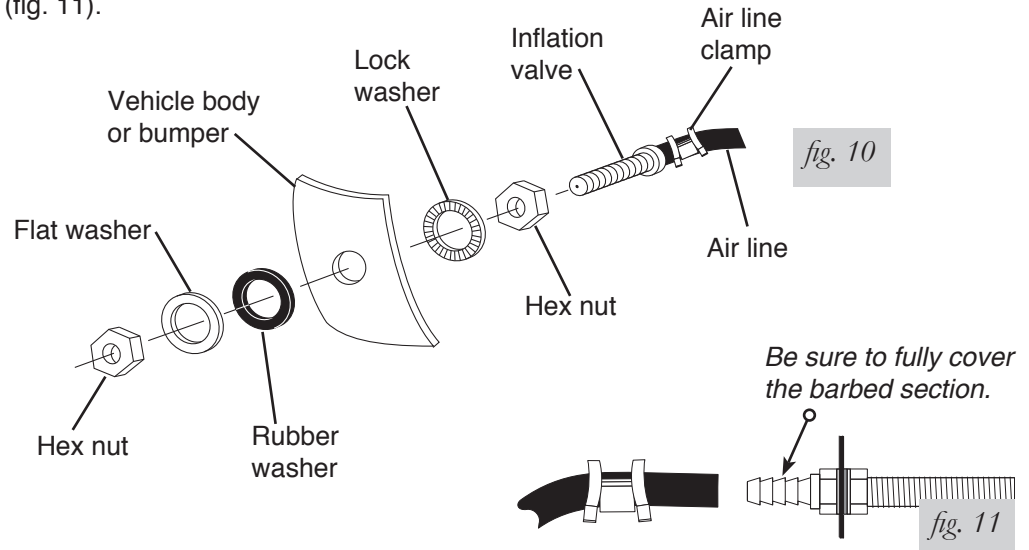
5. Insert the air line through the upper spring seat.
6. Push the air line onto the stem, covering all the barbs (fig. 8). With the pliers, slide the air line clamp upward until it fully covers the barbed section.



7. Push the remaining air line over the last fitting on the tee and route it along the frame to the desired inflation valve location. Attach the air line with plastic straps or wire.
8. Select a location for the inflation valve in the gas cap well, the trunk, rear bumper, fender flange or behind the license plate, insuring that the valve will be protected and accessible with an air hose (fig. 9).



9. Drill a 5/16" hole for the inflation valve and mount as shown (fig. 10). The rubber washer serves as an outside weather seal.
10. Slide the air line clamp over the air line. Push the air line onto the fitting covering all barbs. Using pliers, slide the air line clamp forward until it fully covers the barbed section (fig. 11).



13. Raise the axle or lower the vehicle body until the air springs lightly touch the upper spring seat and lower spacers.
14. Check the tail pipe clearance and ensure that it is at least 2-3 inches from the air spring. If necessary, loosen the clamps and rotate or move to obtain additional clearance. Reattach the shock absorbers if removed earlier in the installation.

CAUTION

DO NOT INFLATE AIR SPRINGS BEFORE READING THE MAINTENANCE AND OPERATION SECTION.

15. Continue to "Completing the Installation."

DUAL AIR LINE ROUTING

CAUTION

TO PREVENT AIR LINE FROM MELTING, KEEP IT AT LEAST 8" FROM EXHAUST SYSTEM.

1. Select a location for the inflation valves in the rocker panel flange, or rear bumper, assuring that each valve will be protected and accessible with an air hose.
2. Determine and cut an adequate length of air line to reach from the valve location to the left side air spring.

CAUTION

LEAVE SUFFICIENT AIR LINE SLACK TO PREVENT ANY STRAIN ON FITTING DURING AXLE MOTIONS.

3. Insert the air line through the spring seat and spacer.
4. Slide the air clamp onto the cut air line.
5. Push the air line onto the stem, covering all the barbed section (see fig. 8). With pliers slide the air line clamp forward until it fully covers the barbed section.
6. Repeat process for the right side.
7. Drill a 5/16 " hole for the inflating valves and mount as illustrated. The rubber washer is for an outside weather seal (see fig. 10).
8. Route the air line along the control arm and frame to the inflation valve location and cut off the excess.

9. Slide a clamp onto the air line and push the air line over the fitting, covering all the barbs. With pliers slide the air line clamp forward until it fully covers the barbed section (see fig. 11).
10. Raise the axle or lower body until the air springs lightly touch the upper spring seat and lower spacers.
11. Check the tail pipe clearance and ensure that it is at least 2-3 inches from the air springs. If necessary, loosen the clamps and rotate or move to obtain additional clearance. Reattach the shock absorbers if removed earlier in the installation.

CAUTION

DO NOT INFLATE AIR SPRINGS BEFORE READING THE MAINTENANCE AND SERVICING SECTION.

COMPLETING THE INSTALLATION

1. Leave slack at the top for the hose to move in and out freely during normal driving and in case the vehicle is serviced on a frame contact hoist.

NOTE

Loosely attach the hose to the brake line using a wire tie (fig. 6).

2. Inflate the air springs to 35 PSI. Test for air leaks by applying a liquid solution of $\frac{1}{5}$ dish soap to $\frac{4}{5}$ water to all valve cores, fittings and connections.
3. Lower the vehicle to the ground. Read Maintenance and Servicing for proper care of your air springs.
4. Recheck air pressure after 24 hours. A 2-4 PSI loss after initial installation is normal. If pressure has dropped more than 5 lbs, retest for leaks.

Maintenance and Servicing

| Minimum Air Pressure | Maximum Air Pressure |
|---|----------------------|
| 5 PSI | 35 PSI |
| FAILURE TO MAINTAIN CORRECT MINIMUM PRESSURE (OR PRESSURE PROPORTIONAL TO LOAD), BOTTOMING OUT, OVER-EXTENSION OR RUBBING AGAINST ANOTHER COMPONENT WILL VOID THE WARRANTY. | |

MAINTENANCE GUIDELINES

By following these steps, vehicle owners will obtain the longest life and best results from their air springs.

1. Check the air pressure weekly.
2. Always maintain at least the recommended minimum air pressure to prevent the air spring from being pinched. Never inflate beyond the maximum air pressure.
4. If you develop an air leak in the system, use a soapy water solution of 1/5 liquid dish soap and 4/5 water to check all air line connections and the inflation valve core before deflating and removing the air spring.
5. Always add air to springs in small quantities, checking the pressure frequently. Air springs require less air volume than a tire and inflate quickly.

OPERATING TIPS

1. Inflate your air springs to 35 PSI before adding the payload. This will allow the air cylinder to properly mesh with the coil spring. After the vehicle is loaded, adjust your air pressure down to level the vehicle and for ride comfort.
2. When carrying a payload it will be helpful to increase the tire inflation pressure in proportion to any overload condition. We recommend a 2 PSI increase above normal for each 100 lbs additional load on the axle.



DO NOT EXCEED THE VEHICLE MANUFACTURERS' MAXIMUM GROSS VEHICLE WEIGHT RATING.

Product Use

FREQUENTLY ASKED QUESTIONS

Q. Will installing air springs increase the weight ratings of a vehicle?

No. Adding air springs will not change the weight ratings (GAWR, GCWR and/or GVWR) of a vehicle. Exceeding the GVWR is dangerous and voids the Air Lift warranty.

Q. Is it necessary to keep air in the air springs at all times and how much pressure will they need?

The minimum air pressure should be maintained at all times. The minimum air pressure keeps the air spring in shape, ensuring that it will move throughout its travel without rubbing or wearing on itself.

Q. Is it necessary to add a compressor system to the air springs?

No. Air pressure can be adjusted with any type of compressor as long as it can produce sufficient pressure to service the springs. Even a bicycle tire pump can be used, but it's a lot of work.

Q. How long should air springs last?

If the air springs are properly installed and maintained they can last indefinitely.

Q. Will raising the vehicle on a hoist for service work damage the air springs?

No. The vehicle can be lifted on a hoist for short-term service work such as tire rotation or oil changes. However, if the vehicle will be on the hoist for a prolonged period of time, support the axle with jack stands in order to take the tension off of the air springs.

TUNING THE AIR PRESSURE

Pressure determination comes down to three things — level vehicle, ride comfort, and stability.

1. Level vehicle

If the vehicle's headlights are shining into the trees or the vehicle is leaning to one side, then it is not level (fig. 12). Raise the air pressure to correct either of these problems and level the vehicle.

2. Ride comfort

If the vehicle has a rough or harsh ride it may be due to either too much pressure or not enough (fig. 13). Try different pressures to determine the best ride comfort.

3. Stability

Stability translates into safety and should be the priority, meaning the driver may need to sacrifice a perfectly level and comfortable ride. Stability issues include roll control, bounce, dive during braking and sponginess (fig. 14). Tuning out these problems usually requires an increase in pressure.



Bad headlight aim

fig. 12



Rough ride

fig. 13



Sway and body roll

fig. 14

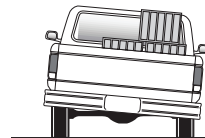
GUIDELINES FOR ADDING AIR

1. Start with the vehicle level or slightly above.
2. When in doubt, always add air.
3. For motorhomes, start with 50-100 PSI in the rear because it can be safely assumed that it is heavily loaded.
4. If the front of the vehicle dives while braking, increase the pressure in the front air bags, if equipped.
5. If it is ever suspected that the air bags have bottomed out, increase the pressure (fig. 15).
6. Adjust the pressure up and down to find the best ride.
7. If the vehicle rocks and rolls, adjust the air pressure to reduce movement.
8. It may be necessary to maintain different pressures on each side of the vehicle. Loads such as water, fuel, and appliances will cause the vehicle to be heavier on one side (fig. 16). As much as a 50 PSI difference is not uncommon.

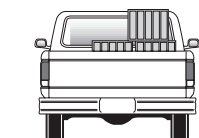


Bottoming out

fig. 15



Unlevel



Level

fig. 16

Replacement Information

If you need replacement parts, contact the local dealer or call Air Lift customer service at (800) 248-0892. Most parts are immediately available and can be shipped the same day.

Contact Air Lift Company customer service at (800) 248-0892, first if:

- Parts are missing from the kit.
- Need technical assistance on installation or operation.
- Broken or defective parts in the kit.
- Wrong parts in the kit.
- Have a warranty claim or question.

Contact the retailer where the kit was purchased:

- If it is necessary to return or exchange the kit for any reason.
- If there is a problem with shipping if shipped from the retailer.
- If there is a problem with the price.

Contact Information

If you have any questions, comments or need technical assistance, contact our customer service department by calling (800) 248-0892, Monday through Friday, 8 a.m. to 5 p.m. Eastern Time. For calls from outside the USA or Canada, our local number is (517) 322-2144.

For inquiries by mail, our address is PO Box 80167, Lansing, MI 48908-0167. Our shipping address for returns is 2727 Snow Road, Lansing, MI 48917.

You may also contact us anytime by e-mail at sales@airliftcompany.com or on the web at www.airliftcompany.com.

Warranty and Returns Policy

Air Lift Company warrants its products, for the time periods listed below, to the original retail purchaser against manufacturing defects when used on catalog-listed applications on cars, vans, light trucks and motorhomes under normal operating conditions for as long as Air Lift manufactures the product. The warranty does not apply to products that have been improperly applied, improperly installed, used in racing or off-road applications, used for commercial purposes, or which have not been maintained in accordance with installation instructions furnished with all products. The consumer will be responsible for removing (labor charges) the defective product from the vehicle and returning it, transportation costs prepaid, to the dealer from which it was purchased or to Air Lift Company for verification.

Air Lift will repair or replace, at its option, defective products or components. A minimum \$10.00 shipping and handling charge will apply to all warranty claims. Before returning any defective product, you must call Air Lift at (800) 248-0892 in the U.S. and Canada (elsewhere, (517) 322-2144) for a Returned Materials Authorization (RMA) number. Returns to Air Lift can be sent to: Air Lift Company • 2727 Snow Road • Lansing, MI • 48917.

Product failures resulting from abnormal use or misuse are excluded from this warranty. The loss of use of the product, loss of time, inconvenience, commercial loss or consequential damages is not covered. The consumer is responsible for installation/reinstallation (labor charges) of the product. Air Lift Company reserves the right to change the design of any product without assuming any obligation to modify any product previously manufactured.

This warranty gives you specific legal rights and you may also have other rights that vary from state-to-state. Some states do not allow limitations on how long an implied warranty lasts or allow the exclusion or limitation of incidental or consequential damages. The above limitation or exclusion may not apply to you. There are no warranties, expressed or implied including any implied warranties of merchantability and fitness, which extend beyond this warranty period. There are no warranties that extend beyond the description on the face hereof. Seller disclaims the implied warranty of merchantability. (Dated proof of purchase required.)

| | | | |
|---------------------------------|-------------------------|-----------------------------------|-----------------------|
| Air Lift 1000 | Lifetime Limited | Load Controller (I) | 2 Year Limited |
| RideControl | Lifetime Limited | Load Controller (II) | 2 Year Limited |
| SlamAir | Lifetime Limited | SmartAir | 2 Year Limited |
| LoadLifter 5000* | Lifetime Limited | Wireless AIR | 2 Year Limited |
| EasyStreet Systems | 1 Year Limited | Other Accessories | 2 Year Limited |

**formerly SuperDuty*

Need Help?

Contact our customer service department by calling (800) 248-0892, Monday through Friday, 8 a.m. to 5 p.m. Eastern Time. For calls from outside the USA or Canada, our local number is (517) 322-2144.

**Register your warranty online at
www.airliftcompany.com/warranty**



Thank you for purchasing Air Lift products — the professional installer's choice!

Air Lift Company • 2727 Snow Road • Lansing, MI 48917 or PO Box 80167 • Lansing, MI 48908-0167
Toll Free (800) 248-0892 • Local (517) 322-2144 • Fax (517) 322-0240 • www.airliftcompany.com

Printed in
the USA