



FORD 2019 Ranger 20 Inch Single Row Bumper Mount

Thank you for choosing Rough Country for all your vehicle needs.

Please read instructions before beginning installation. Check the kit hardware against the kit contents shown below. Be sure you have all needed parts and know where they go.

If question exist, please call us @1-800-222-7023. We will be happy to answer any questions concerning this product.

Check all fasteners for proper torque. Check to ensure for adequate clearance between all components.

Periodically check all hardware for tightness.

KIT CONTENTS:

- 20" Single Row LED Light Kit x 1
- Driver Side Bumper Bracket x 1
- Pass Side Bumper Bracket x 1

TOOLS NEEDED:

- 10mm socket
- 21mm socket
- Ratchet
- Auto Trim Puller



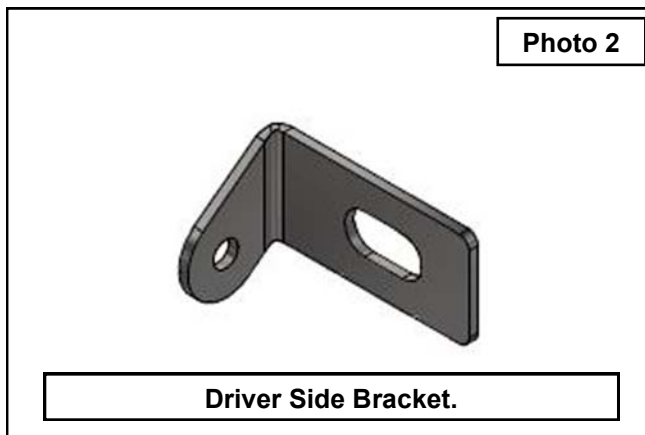
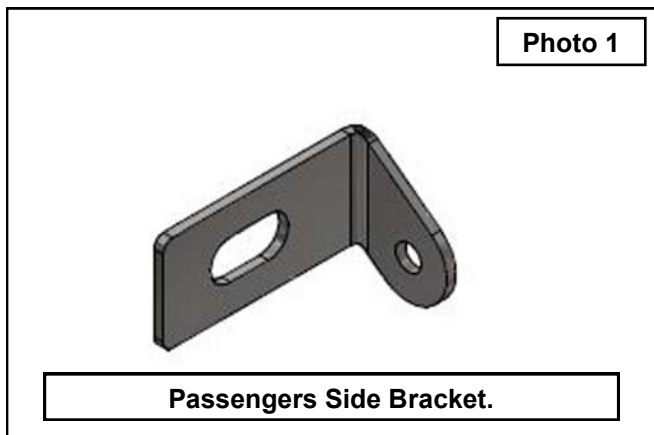
Torque Specs:

Size	Grade 5	Grade 8	Size	Class 8.8	Class 10.9
5/16"	15 ft/lbs	20ft/lbs	6MM	5ft/lbs	9ft/lbs
3/8"	30 ft/lbs	35ft/lbs	8MM	18ft/lbs	23ft/lbs
7/16"	45 ft/lbs	60ft/lbs	10MM	32ft/lbs	45ft/lbs
1/2"	65 ft/lbs	90ft/lbs	12MM	55ft/lbs	75ft/lbs
9/16"	95 ft/lbs	130ft/lbs	14MM	85ft/lbs	120ft/lbs
5/8"	135ft/lbs	175ft/lbs	16MM	130ft/lbs	165ft/lbs
3/4"	185ft/lbs	280ft/lbs	18MM	170ft/lbs	240ft/lbs

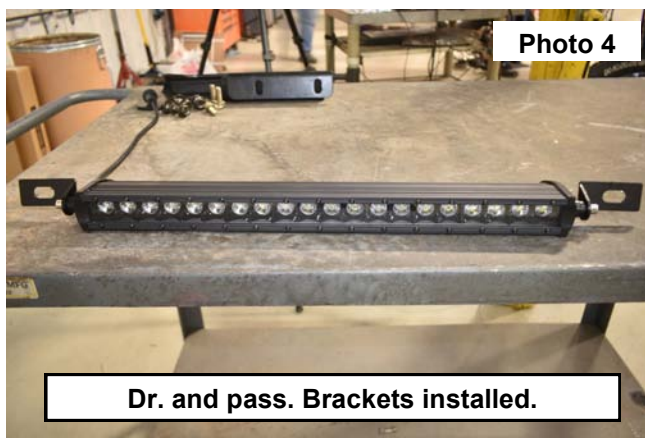


INSTALLATION INSTRUCTIONS

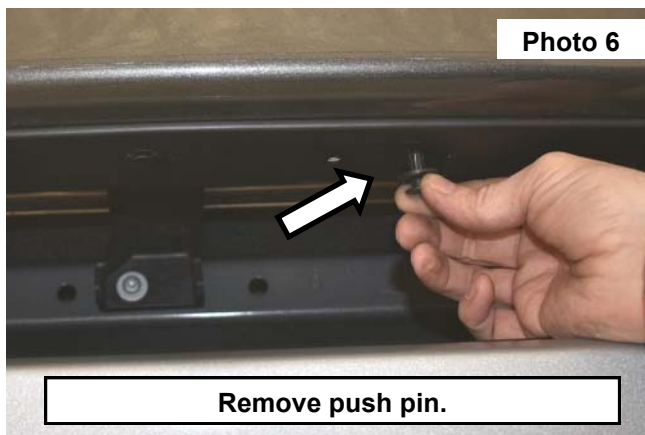
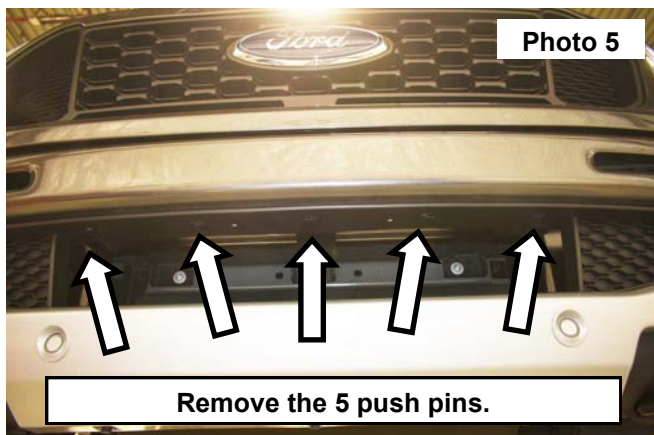
1. Locate the passenger and driver side light bracket. **Seen in Photos 1 and 2.**



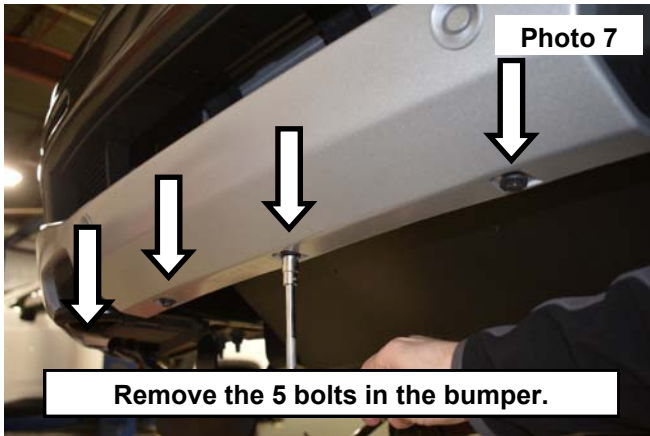
2. Install the driver and passengers side bracket onto the ends of the LED light using the supplied hardware in the light bar kit. Drivers side shown in **Photo 3**.
3. Driver and passengers brackets installed in **Photo 4**.



4. Use a auto trim puller to remove the 5 push pins from inside the opening in the bumper. **See Photo 5**.
5. Pull the center of the clip down and remove the push pin. **See Photo 6**.



6. Remove the 5 bolts from the bottom of the center bumper cover using a 10mm socket. **See Photo 7.**
7. Remove the center of the bumper cover. **See Photo 8.**



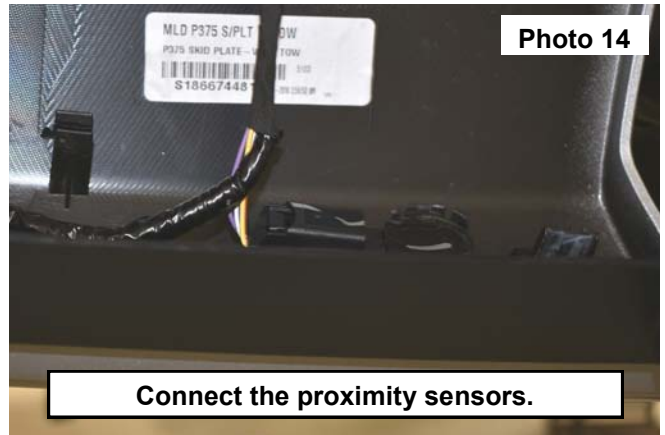
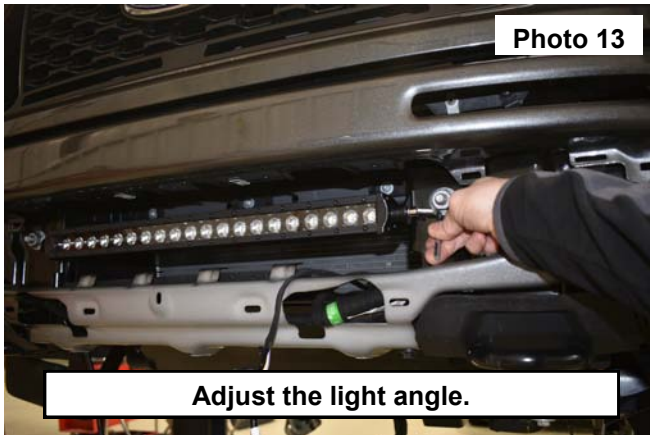
8. Disconnect the 2 proximity sensors from the bumper cover and set aside in a safe location. **See Photo 9.**
9. Remove the top inside nuts from the bumper mount on each side using a 21mm socket. **See Photo 10.** Retain hardware for reuse.



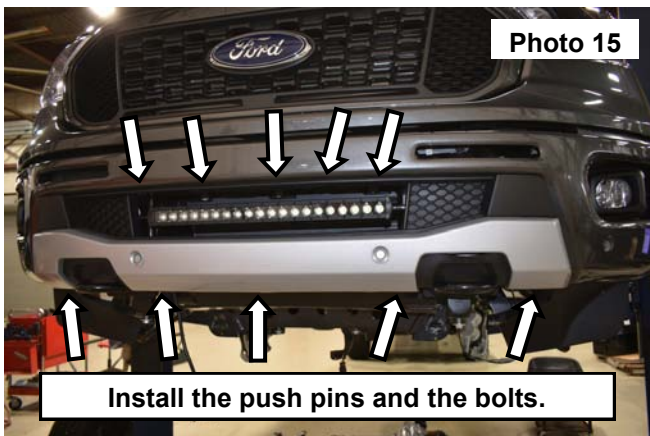
10. Install the driver and passenger side brackets onto the bumper mount studs. **See Photo 11.**
11. Secure the light bar and brackets using the retained nuts. Center the light bar to the vehicle and tighten using a 21mm socket. **See Photo 12.**



12. Install the wiring harness supplied in the light bar kit onto the vehicle.
13. Using the allen wrench supplied in the light bar kit adjust the light bar to the desired angle. **See Photo 13.**
14. Connect the 2 proximity sensors on the center bumper cover. **See Photo 14.**



15. Install the center bumper cover onto the vehicle. Secure using the retained 5 push pins in the top opening of the bumper and the 5 bolts in the bottom of the bumper using a 10mm socket. **See Photo 15.**
16. Check for any loose wiring and secure.



By purchasing any item sold by Rough Country, LLC, the buyer expressly warrants that he/she is in compliance with all applicable , State, and Local laws and regulations regarding the purchase, ownership, and use of the item. It shall be the buyers responsibility to comply with all Federal, State and Local laws governing the sales of any items listed, illustrated or sold. The buyer expressly agrees to indemnify and hold harmless Rough Country, LLC for all claims resulting directly or indirectly from the purchase, ownership, or use of the items.

