

Polaris Ranger XP Half Windshield

Thank you for choosing Rough Country for all your UTV needs.

Please read instructions before beginning installation. Check the kit hardware against the kit contents shown below. Be sure you have all needed parts and know where they go.

If question exist, please call us @1-800-222-7023. We will be happy to answer any questions concerning this product. Check all fasteners for proper torque. Check to ensure for adequate clearance between all components. Periodically check all hardware for tightness.

KIT CONTENTS:

- (1) Half Windshield
- (1) 5' of Windshield Seal
- (2) Mounting Brackets
- (2) 1/4" x 3/4" Bolts
- (2) 1/4" Flat Washers
- (2) 5/16" x 1.25" Self Tapping Bolts

TOOLS NEEDED:

- 7/16" Socket
- 1/2" Socket
- Ratchet
- Rubber Mallet
- In-lbs Torque Wrench

▲ NOTICE *Never ride with your face/head near the windshield.*

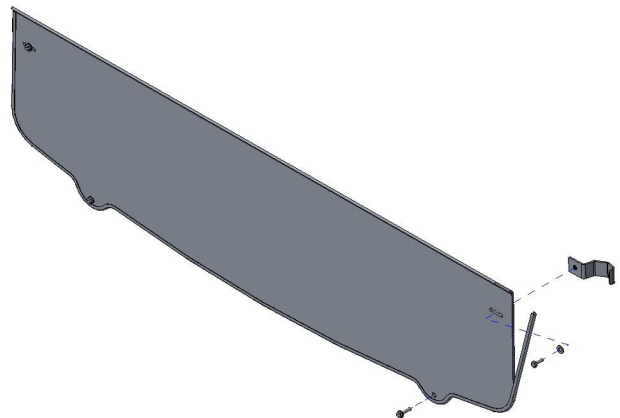
Installation Instructions

1. Make sure UTV is clean and free of debris.
2. Install the supplied seal onto the bottom and side edges of the windshield by starting just below one top corner and working around the windshield to the opposite top corner. Trim excess seal.
3. Install the supplied windshield (with seal installed) into position, centered on the front cab frame structure.
4. Attach the bottom of the windshield using the supplied 5/16" x 1.25" self tapping bolts using a 1/2" socket.
5. Attach the top clamps using the supplied 1/4" x 3/4" bolts, through the supplied 1/4" washer, then through the windshield and into the bracket. Once desired position is achieved torque the hardware to 25in-lbs. **Do not over-tighten.**

Periodically check all fasteners for tightness and re-torque as required.

Cleaning Instructions

1. Use an indirect high pressure water supply to rinse large dirt particles from the windshield.
2. Once the majority of dirt is removed, use warm soapy water and a cotton terry cloth to wash all windshield components.
3. Rinse thoroughly and allow to air dry.
4. Use a quality polish to clean and remove fine scratches from the windshield.



Thank you for choosing Rough Country for all your UTV needs.

By purchasing any item sold by Rough Country, LLC, the buyer expressly warrants that he/she is in compliance with all applicable, State, and Local laws and regulations regarding the purchase, ownership, and use of the item. It shall be the buyers responsibility to comply with all Federal, State and Local laws governing the sales of any items listed, illustrated or sold. The buyer expressly agrees to indemnify and hold harmless Rough Country, LLC for all claims resulting directly or indirectly from the purchase, ownership, or use of the items.

