

POLARIS 2018-20 General 2" Cube Under Bed Light Kit

Thank you for choosing Rough Country for all your vehicle needs.

Please read instructions before beginning installation. Check the kit hardware against the kit contents shown below. Be sure you have all needed parts and know where they go.

If question exist, please call us @1-800-222-7023. We will be happy to answer any questions concerning this product.

Check all fasteners for proper torque. Check to ensure for adequate clearance between all components.

Periodically check all hardware for tightness.

KIT CONTENTS:

- 2" Cube LED Light Kit x1
- Driver Side Bracket x1
- Pass Side Bracket x1

TOOLS NEEDED:

- 15mm Wrench or Socket



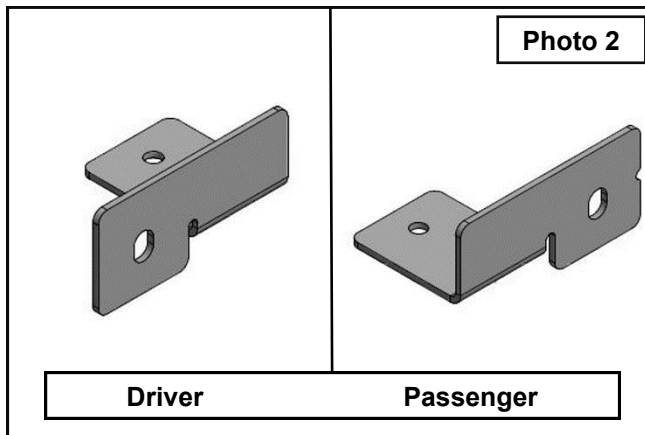
Torque Specs:

Size	Grade 5	Grade 8	Size	Class 8.8	Class 10.9
5/16"	15 ft/lbs	20ft/lbs	6MM	5ft/lbs	9ft/lbs
3/8"	30 ft/lbs	35ft/lbs	8MM	18ft/lbs	23ft/lbs
7/16"	45 ft/lbs	60ft/lbs	10MM	32ft/lbs	45ft/lbs
1/2"	65 ft/lbs	90ft/lbs	12MM	55ft/lbs	75ft/lbs
9/16"	95 ft/lbs	130ft/lbs	14MM	85ft/lbs	120ft/lbs
5/8"	135ft/lbs	175ft/lbs	16MM	130ft/lbs	165ft/lbs
3/4"	185ft/lbs	280ft/lbs	18MM	170ft/lbs	240ft/lbs



INSTALLATION INSTRUCTIONS

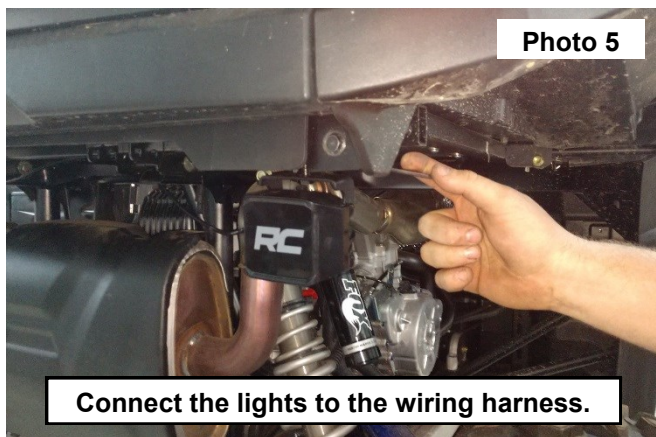
1. Remove the bolt shown under the bed on the passengers side using a 15mm socket. Retain hardware for reuse. **See Photo 1.**
2. Locate the driver and passengers side brackets shown in **Photo 2.**



3. Install the passengers side bracket, install behind the trim onto the bed mount secure using the retained hardware. Tighten using a 15mm socket. **See Photo 3.**
4. Repeat steps 1-3 on the opposite side of the bed.
5. Install the wiring harness onto the UTV using the corresponding instruction sheets supplied in the light kit.
6. Install the 2" cube light onto the light bracket. Secure using the supplied hardware in the light kit. **See Photo 4.**



7. Connect the lights to the wiring harness, set the lights to the desired angle and tighten. **See Photos 5 and 6.**



By purchasing any item sold by Rough Country, LLC, the buyer expressly warrants that he/she is in compliance with all applicable, State, and Local laws and regulations regarding the purchase, ownership, and use of the item. It shall be the buyers responsibility to comply with all Federal, State and Local laws governing the sales of any items listed, illustrated or sold. The buyer expressly agrees to indemnify and hold harmless Rough Country, LLC for all claims resulting directly or indirectly from the purchase, ownership, or use of the items.

