



ZROADZ

DYNAMIC LED MOUNTING SOLUTIONS



2017 FORD F-250 / F-350 / SUPER DUTY

Fits Platinum Models Only.

PART # Z415671-KIT

OEM GRILLE LED LIGHT BAR MOUNTS

PARTS ARE PATENT PENDING. ALL RIGHTS RESERVED - COPYRIGHT ©2016 - ZROADZ LED, INC.

PARTS INCLUDED

- (1) Driver Side Light Mount Bracket
- (1) Passenger Side Light Mount Bracket

LED LIGHTS INCLUDED

Z415571-KIT - (2) 10" ZROADZ LED Light Bar

HARDWARE INCLUDED

Z415671-KIT

- (4) - Phillips Screw Coarse Thread
- (4) - #10-32 x 5/8" Button Head Allen Cap Stainless Steel Screw
- (4) - #10-32" Stainless Steel Nylock Nuts
- (8) - #10 Flat Washers

TOOLS REQUIRED

- 1/8" Drill Bit & Drill
- Phillips Screwdriver
- Allen Keys
- Various Socket Set
- Various Wrenches
- Ratchet Tool

PAGE 1

INSTALLATION GUIDE

START HERE

PLEASE READ AND UNDERSTAND ALL INSTRUCTIONS BEFORE INSTALLATION. Auto makers offer varied models to each vehicle and occasionally manufacture more than one body style of the same model. To assure your part is correct; our tech department can be contacted at orders@zroadz.com to verify fitment and assist with technical questions. All other inquires can be directed to orders@zroadz.com. In the event you do not have internet access please call 844-653-8040

* APPLICATION MODELS VARY. WE RECOMMEND TO VERIFY FITMENT BEFORE BEGINNING INSTALLATION PROCESS.
* IMAGES FEATURED IN THE INSTRUCTION DOCUMENTS MAY NOT ALWAYS EXACTLY MATCH YOUR MODEL OR PART.

BEFORE YOU BEGIN

LED LIGHT BRACKET INSTALLATION

START HERE: Turn off engine, chalk tires with stop block, open the hood and disconnect the battery.



FIG 1

STEP 1

SEE FIGURES 1 - 2

Factory Grille is required to be removed for proper ZROADZ LED Bracket Mount installation.

- 1) Identify & locate plastic push fasteners on top of shroud. Carefully pry off to remove fasteners and then set aside for reinstallation.



FIG 2



LED LIGHT BRACKET INSTALLATION - CONTINUED

PARTS ARE PATENT PENDING. ALL RIGHTS RESERVED - COPYRIGHT ©2016 - ZROADZ LED, INC.

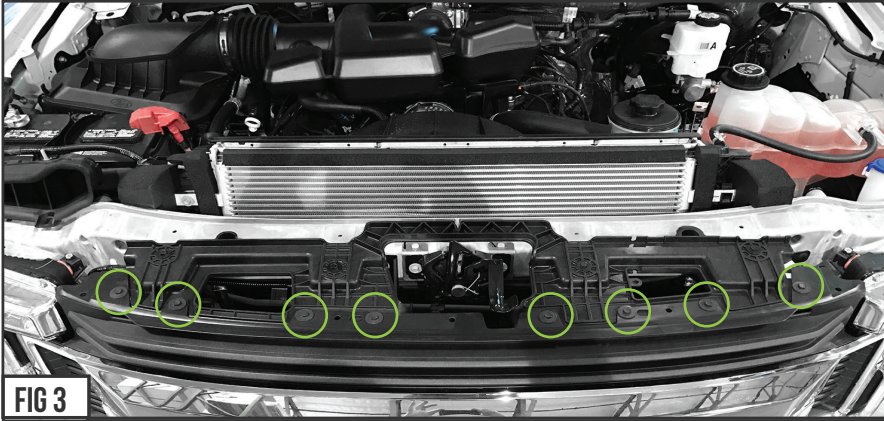


FIG 3



FIG 4

STEP 2

SEE FIGURES 3 & 4

2) Unbolt the (8) screws that secure the factory grille along the top plate. Set aside Bolts for re-installation later.

STEP 3

SEE FIGURES 5 - 7

3) Carefully pull back on the grille so you can access the (4) Retainer Clips that fasten along the bottom edge of the factory grille.



FIG 5



FIG 6

You will need to press down with a long pry tool on top edge of cup to release. (Figure #6)

SEE FIGURE 7

Note the location of the where the Factory Grille is fastened to the vehicle's core support.

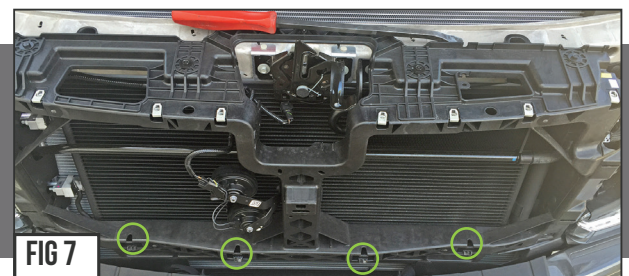


FIG 7

STEPS 6 & 7

SEE FIGURES 7 - 8

6) The OEM Factory Grille should now be free and removed from the front of the vehicle.

7) Set factory grille face down on a flat cushioned surface.

NOTES OF INTEREST

Your vehicle may feature a forward facing camera or adaptive cruise control. This is an option on some models and will need to be disconnected before grille is removed.



FIG 8

LED LIGHT BRACKET INSTALLATION - CONTINUED

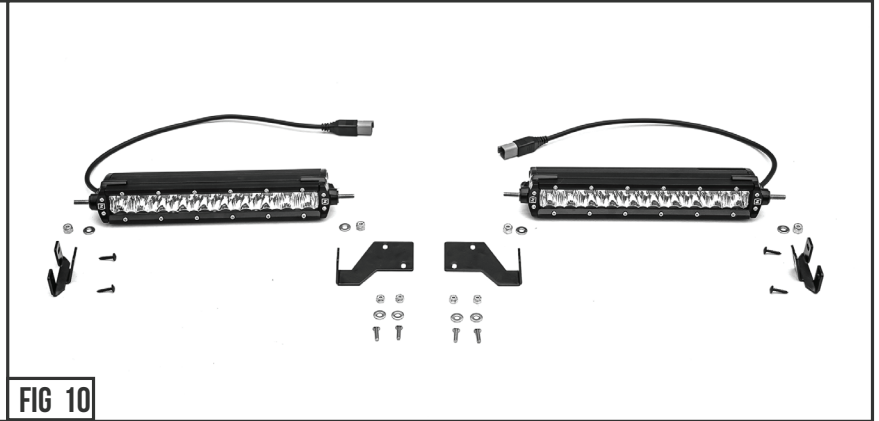
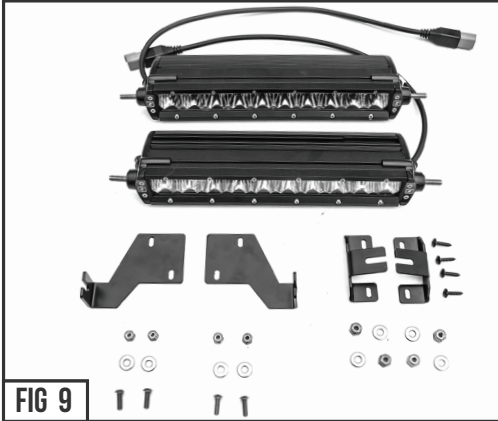


ZROADZ

DYNAMIC LED MOUNTING SOLUTIONS

LED LIGHT BRACKET INSTALLATION - CONTINUED

PARTS ARE PATENT PENDING. ALL RIGHTS RESERVED - COPYRIGHT ©2016 - ZROADZ LED, INC.



STEP 8

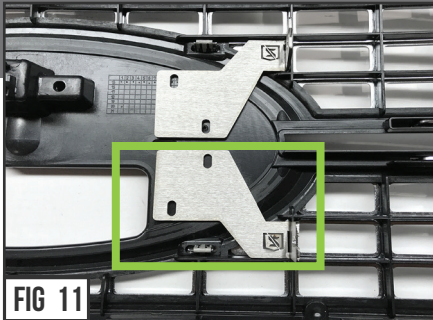
SEE FIGURE 9

8) Lay out all the supplied parts and prepare to mount ZROADZ LED Mounting Brackets.

STEP 9

SEE FIGURE 10

9) Assemble the mounting brackets to the ZROADZ face plate according to the orientation seen in Figure #10.



INNER LOWER BRACKETS

OUTER LOWER BRACKETS

STEP 10

SEE FIGURES 11 - 13

10) Put the ZROADZ LED Mounts into place behind the OEM Factory Grille as seen in Figure #12 & Figure #13. Mock everything up w/ LED Light bar to get everything positioned square and proper.



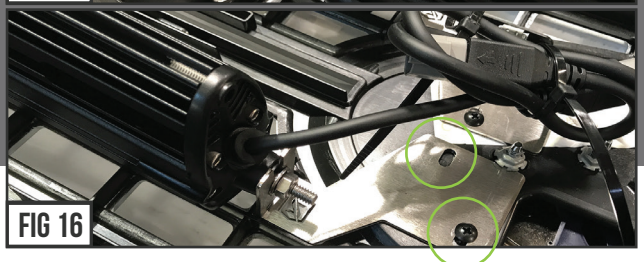
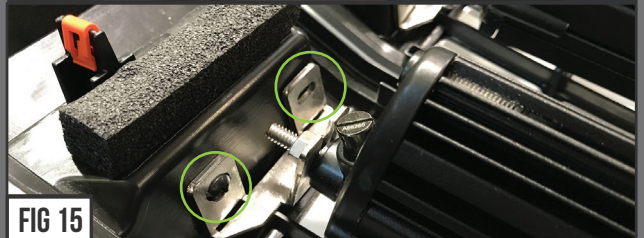
STEPS 11 & 12

SEE FIGURES 14 - 16

11) Use the Bracket Mounts to determine and mark the mounting holes.

12) Drill a 1/16" pilot holes into the OEM Grille as pre-determined and located by the outer brackets. Screw in the provided screws.

The large bracket will be bolted through with a #10 bolt, washer and lock nut and will need to be drilled 7/32".



LED LIGHT BRACKET INSTALLATION - CONTINUED



ZROADZ

DYNAMIC LED MOUNTING SOLUTIONS

LED LIGHT BRACKET INSTALLATION - CONTINUED

PARTS ARE PATENT PENDING. ALL RIGHTS RESERVED - COPYRIGHT ©2016 - ZROADZ LED, INC.



FIG 17

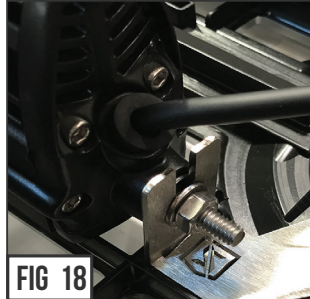


FIG 18

STEP 14

SEE FIGURES 19

14) Put into place the fully assembled LED Mounts and secure it to the OEM factory grille. Use the provided hardware to mount permanently.

STEP 13

SEE FIGURES 18 & 19

13) Assemble the supplied ZROADZ LED Lights to the LED Mounting Bracket Assemblies.

You may need to remove the protective plastic wrap covering the LED Lens.

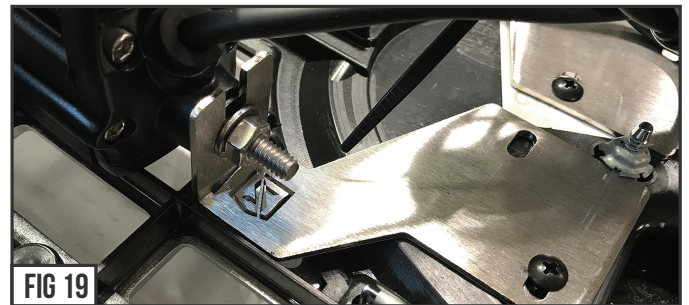


FIG 19



FIG 20

STEP 15

SEE FIGURE 20

15) Inspect the LED and LED Mount Face Plate and confirm proper fitment and alignment with the OEM Factory Grille.

STEP 16

SEE FIGURES 20 - 21

16) Finally go through and tighten all hardware that mounts LED to LED Light Mounts and LED Light Mount Brackets to OEM Factory Grille.

STEP 17 ADJUSTMENT TIPS

17) To adjust the angle of your Light Bar, rotate the LED(s) to adjust the angles till your desired light pattern is reached.

It is best to adjust the angle with the vehicle on level ground with lights facing a wall, garage door or other solid barrier. We recommend checking from a distance of 25'. Your installation is now completed.



FIG 21

LED LIGHT BRACKET INSTALLATION - COMPLETE



ZROADZ

DYNAMIC LED MOUNTING SOLUTIONS

ZROADZ PRODUCT WARRANTY

ZROADZ PRODUCT WARRANTY

ZROADZ warrants its grille products to be free from defects in material and workmanship for the lifetime of the grille. ZROADZ warrants the finish of its grille products for a 3 year period beginning at the time of sale to the end user. These warranties are limited warranties and do not cover abuse, modification or improper installation nor do they cover finish failure caused by caustic cleaning agents, road salts or other chemicals. ZROADZ reserves the right to repair or replace a defective product at its sole discretion. Any ZROADZ product must be returned to ZROADZ for warranty consideration and must be returned at the customer's expense. In the event that the product is deemed to be defective, the repaired or replaced item will be returned via a surface shipping method to the customer at ZROADZ expense. No provision is made for any labor, rental car or other costs incurred by the failure of its products.

LED LIGHTING EQUIPMENT INSTALLATION / DISCLAIMER

WARNING

PLEASE CONSULT YOUR LOCAL AUTOMOTIVE ELECTRICAL PROFESSIONAL FOR INSTALLATION SERVICES AND ADVICE. ZROADZ IS ONLY EQUIPPED TO PROVIDE BASIC TECHNICAL ASSISTANCE DUE TO THE DIVERSITY OF VEHICLES, VEHICLE OPTIONS & MODIFICATIONS AND LIGHTING CONFIGURATION OPTIONS AVAILABLE. ZROADZ cannot be held liable due to improper component installation and / or faulty wiring.

GENERAL GUIDELINES

LED Lights & LED Light Bars operate at relatively high currents and should only be installed by qualified personnel with experience in Switched / relayed high draw DC Circuits.

- Light Bars are designed for use only with standard 12v DC power systems
- Light Bars are for OFF-ROAD USE ONLY. Check your local laws & regulations regarding vehicle mounted lights.
- Some Light Bars are equipped with waterproof connectors while others are simply pig-tailed
- Red Wires = POSITIVE | Black Wires = NEGATIVE
- ALWAYS install your lights on a fused circuit. Basic fusing guidelines: maximum 5A for every 10" of LED Light Bar.

GENERAL USE, INSTALL AND ADJUSTMENT TIPS

NOTE 1: ZROADZ LED Light Bars themselves are for OFF-ROAD USE ONLY.

NOTE 2: Light Bars depending on the configuration of your vehicle and its options and/or modifications may need to be adjusted for appropriate beam projection. To adjust the angle of your light bars simply loosen the mounting hardware on either side of each Light Bar, rotate the Light Bar to adjust the angle, then tighten the hardware once the desired angle is achieved (please be careful not to over-tighten the mounting hardware or scratch the protective powder-coat finish). It is best to adjust the angle with the vehicle on level ground with the lights facing a wall, garage door or other solid barrier at a distance of approximately 25-30 feet.

NOTE 3: Please consult a qualified automotive electrical professional for light bar wiring installation.

NOTE 4: An optional universal wiring harness (part# Z390020S-A) is also available that includes high-heat & oil/fuel resistant wires, waterproof connector, 12v relay, 12v rocker switch, in-line fuse holder. Our universal wiring harness significantly expedites the installation process but is not a vehicles specific "Plug & Play" product and does not eliminate the need for a professional installation.

Please contact your local ZROADZ dealer for more information or visit www.zroadz.com.

PRODUCT CARE INFORMATION

PRODUCT CARE INFORMATION

Wash regularly as you would when caring for your vehicles. Never use dish soap. Never leave wet water spots as that may leave a blemish.

MATTE BLACK FINISH

Paint warranty applies to defects in material and / or workmanship, it does not cover the matte finish surface appearance.

To enjoy the matte appearance for many years to come, please follow these owner care and maintenance tips.

Get a no-shine matte car wash soap that uses no fillers, no silicone, and won't strip your matte paint of its layer of protection.

Do not use wax, detail spray, armorall®, or any products made for normal paint. Use only products specifically developed for matte finish paint. Do not use products that are even mildly abrasive, such as polishes, glazes, or rubbing compounds. Do not use mechanical cleaners or polishers. Do not use terry cloth, cloth, or paper towels. Do not rub the finish vigorously, this will burnish the paint finish, causing a permanent shiny spot. Shiny spots cannot be removed.

Do not use commercial car wash facilities or their shine enhancement products. Most car wash brushes, large mechanized "towels," and shine enhancement products can damage matte paint.

Remove foreign substances such as insect remains, tar, and road debris using a soft applicator and a mild solvent; saturate and soak area before cleaning—rub lightly.

Hand-wash with a soft wash mitt and mild cleaning product safe for matte paint. Use microfiber cleaning cloths with alcohol-based window cleaner for basic surface clean-up.

GLOSS BLACK FINISH

ZROADZ with Gloss Black Powder Coated Finish may be washed regularly as you would when caring for your vehicles finish using soap and water. ZROADZ should be waxed at the same time that you wax the vehicle. As a general rule, anything you use to clean your vehicles painted surfaces can be used to clean and maintain your ZROADZ grille. A Gloss powder Coated Finish can be cared for in the same fashion that you would care for your vehicles factory paint job. Never leave wet water spots as that may leave a blemish.

PARTS ARE PATENT PENDING. ALL RIGHTS RESERVED - COPYRIGHT ©2016 - ZROADZ LED, INC.