



# ZROADZ

DYNAMIC LED MOUNTING SOLUTIONS



## 2017 FORD F-450 / F-550 / SUPER DUTY

Fits XL Models Only.

PART #: Z415771-KIT

## OEM GRILLE LED LIGHT BAR MOUNTS

PARTS ARE PATENT PENDING. ALL RIGHTS RESERVED - COPYRIGHT ©2016 - ZROADZ LED, INC.

### PARTS INCLUDED

- (1) Driver Side Light Mount Bracket Set
- (1) Left Support Bracket
- (1) Passenger Side Light Mount Bracket Set
- (1) Right Support Bracket

### LED LIGHTS INCLUDED

Z415771-KIT - (2) 6" ZROADZ LED Light Bar

### HARDWARE INCLUDED

Z415771-KIT

- (8) - #6-32 Nylon Nuts
- (8) - #8 x 3/4" Stainless Steel Screws
- (6) - #8 Flat Nuts
- (2) - #8 U-Nuts
- (2) - #10-24 x 5/8" Stainless Steel Hex Head Bolts
- (2) - #10-24 - 15/32 Extruded "U-Nuts"

### TOOLS REQUIRED

- Prying Tool
- 1/8" Drill Bit & Drill
- Phillips Screwdriver
- Allen Keys
- Various Socket Set
- Various Wrenches
- Ratchet Tool

### INSTALLATION GUIDE

#### START HERE

PLEASE READ AND UNDERSTAND ALL INSTRUCTIONS BEFORE INSTALLATION. Auto makers offer varied models to each vehicle and occasionally manufacture more than one body style of the same model. To assure your part is correct; our tech department can be contacted at [orders@zroadz.com](mailto:orders@zroadz.com) to verify fitment and assist with technical questions. All other inquires can be directed to [orders@zroadz.com](mailto:orders@zroadz.com). In the event you do not have internet access please call 844-653-8040

\* APPLICATION MODELS VARY. WE RECOMMEND TO VERIFY FITMENT BEFORE BEGINNING INSTALLATION PROCESS.  
\* IMAGES FEATURED IN THE INSTRUCTION DOCUMENTS MAY NOT ALWAYS EXACTLY MATCH YOUR MODEL OR PART.

#### BEFORE YOU BEGIN

START HERE: Turn off engine, chalk tires with stop block, open the hood and disconnect the battery.

#### LED LIGHT BRACKET INSTALLATION



FIG 1

#### STEP 1

Factory Grille is required to be removed for proper ZROADZ LED Bracket Mount installation.

- 1) Identify & locate plastic push fasteners on top of shroud. Carefully pry off to remove fasteners and then set aside for reinstallation.

#### SEE FIGURES 1 - 2



FIG 2



# ZROADZ

DYNAMIC LED MOUNTING SOLUTIONS

## GRILLE REMOVAL - CONTINUED

PARTS ARE PATENT PENDING. ALL RIGHTS RESERVED - COPYRIGHT ©2016 - ZROADZ LED, INC.

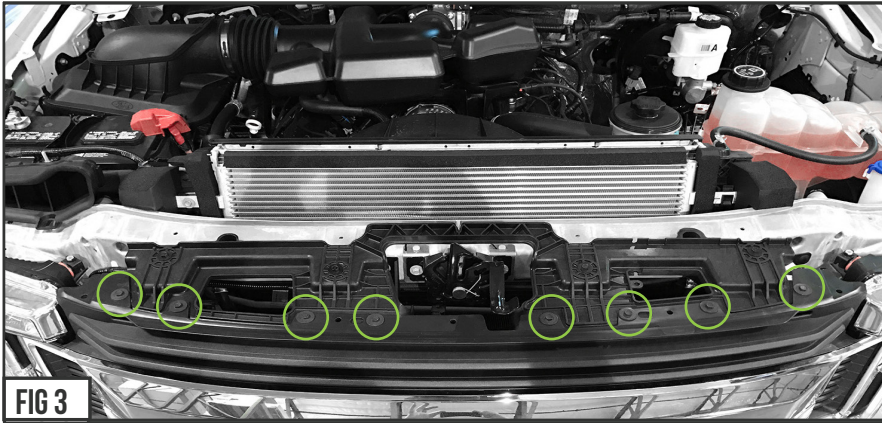


FIG 3



FIG 4

### STEP 2

SEE FIGURES 3 & 4

2) Unbolt the (8) screws that secure the factory grille along the top plate. Set aside Bolts for re-installation later.

### STEP 3

SEE FIGURES 5 - 7

3) Carefully pull back on the grille so you can access the (4) Retainer Clips that fasten along the bottom edge of the factory grille.



FIG 5



FIG 6

You will need to press down with a long pry tool on top edge of cup to release. (Figure #6)

### SEE FIGURE 7

Note the location of the where the Factory Grille is fastened to the vehicle's core support.

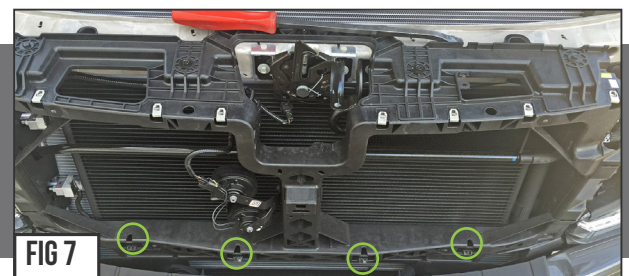


FIG 7

### STEPS 6 & 7

SEE FIGURES 7 - 8

6) The OEM Factory Grille should now be free and removed from the front of the vehicle.

7) Set factory grille face down on a flat cushioned surface.

### NOTES OF INTEREST

Your vehicle may feature a forward facing camera or adaptive cruise control. This is an option on some models and will need to be disconnected before grille is removed.



FIG 8

## GRILLE REMOVAL - COMPLETE



# ZROADZ

DYNAMIC LED MOUNTING SOLUTIONS

## LED LIGHT BRACKET INSTALLATION - CONTINUED

PARTS ARE PATENT PENDING. ALL RIGHTS RESERVED - COPYRIGHT ©2016 - ZROADZ LED, INC.

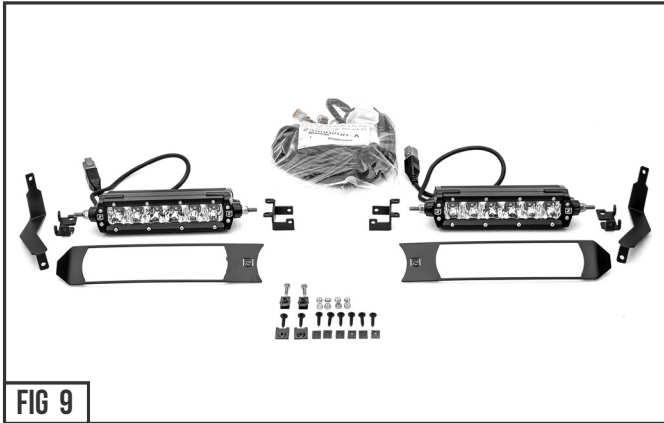


FIG 9

### STEP 8

SEE FIGURE 9

8) Lay out all the supplied parts and prepare to mount ZROADZ LED Mounting Brackets to the OEM removed grille.



FIG 10

### STEP 9

SEE FIGURE 10

9) Prepare the work areas and Tape off OEM grille. Align ZROADZ Passenger Side Frame and fit into grille opening with Z Logo installed closest towards the Ford logo and tape into grille shell.



FIG 11

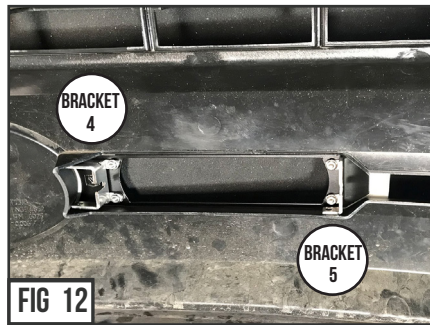


FIG 12

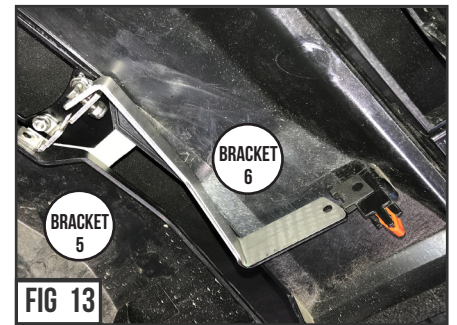


FIG 13

### STEP 10

SEE FIGURES 11 - 14

10) Put into place Passenger Side Light Mount Bracket Set (identified in Figure #10 as 4 & 5) and fix it to the back side of ZROADZ PS Frame using #6 Lock Nuts.

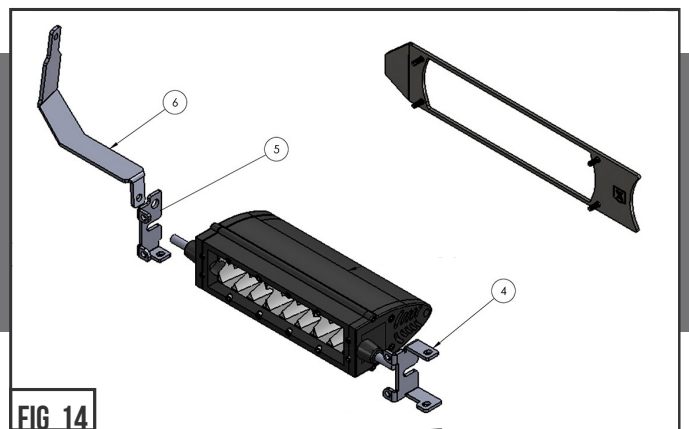


FIG 14

## LED LIGHT BRACKET INSTALLATION - CONTINUED

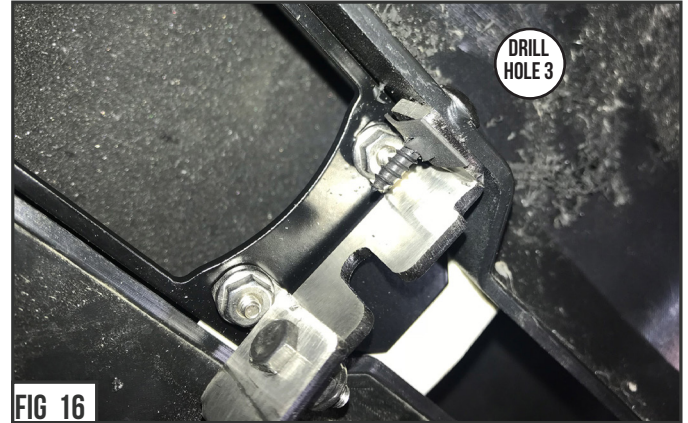
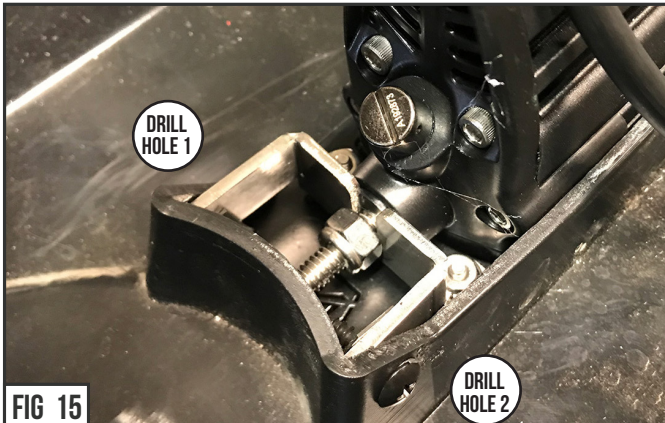


# ZROADZ

DYNAMIC LED MOUNTING SOLUTIONS

## LED LIGHT BRACKET INSTALLATION - CONTINUED

PARTS ARE PATENT PENDING. ALL RIGHTS RESERVED - COPYRIGHT ©2016 - ZROADZ LED, INC.



### STEP 11

11) With the Passenger Side Light Mount Bracket Set positioned properly and align in the grille opening, use the Bracket Mounts pre-determined mounting holes and locate where to drill.

### STEP 12

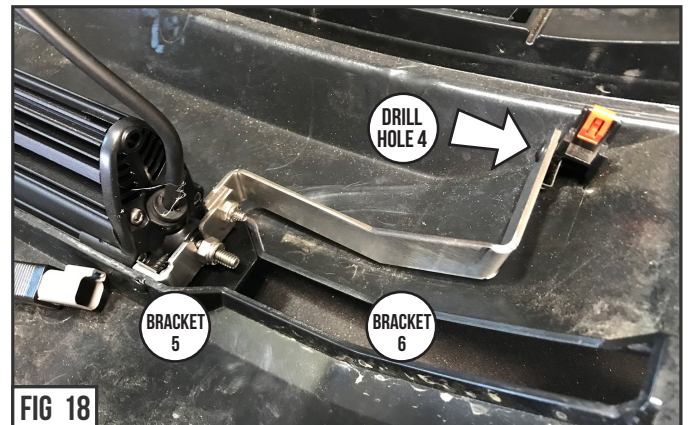
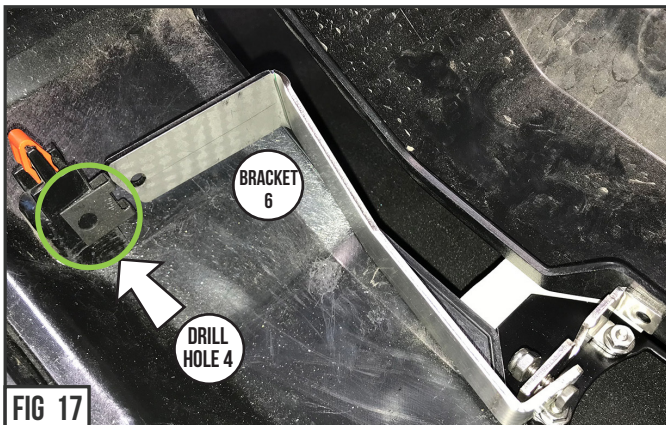
SEE FIGURES 15 - 16

12) Drill three 3/16" holes for Passenger Side Light Mount Bracket Set to mount to the oem grille.

### STEP 13 & 14

SEE FIGURES 15 - 16

13) Secure Bracket set into place and tighten in place using the provided #8 coarse thread screws and u-nut retainers.  
14) Check LED light will fit between brackets. Adjust if required.



### STEP 15

SEE FIGURES 17 - 19

15) Loosely install Bracket 6 (Right Support Bracket) to Bracket 5 as seen in Figure 17.

### STEP 16

16) Secure using #10 lock nut and #10 bolt as shown. Bracket is installed towards the light opening as shown with the head of the bolt towards the light opening.

### STEP 17

SEE FIGURE 17

17) Use supplied Clip Retainer as shown on oem mounting boss for opposite side of Bracket 6 as highlighted in Figure #17. Drill a 3/16" hole for clip retainer. Use #8 Coarse Thread Screw to secure Bracket 6 to oem mounting boss as shown.



## LED LIGHT BRACKET INSTALLATION - CONTINUED



# ZROADZ

DYNAMIC LED MOUNTING SOLUTIONS

## LED LIGHT BRACKET INSTALLATION - CONTINUED

PARTS ARE PATENT PENDING. ALL RIGHTS RESERVED - COPYRIGHT ©2016 - ZROADZ LED, INC.



### STEP 18 & 19

### SEE FIGURE 9

18) Install LED Light and secure to Bracket Set as seen in Figure 20. Adjust and secure LED light to bracket assembly.

19) Repeat all steps and mount Driver Side Light Mount Bracket Set to the oem grille.

### STEP 20

### SEE FIGURES 21 - 22

20) Drill one 3/16" hole for zip tie as shown to secure LED light cables to oem grille.



### STEP 21

21) Finally go through and tighten all hardware that mounts LED to LED Light Mounts and LED Light Mount Brackets to OEM Factory Grille.

### STEP 22

22) Re-Install Vehicle's OEM Grille in the reverse order it was removed.

### STEP 23 ADJUSTMENT TIPS

23) To adjust the angle of your Light Bar, rotate the LED(s) to adjust the angles till your desired light pattern is reached.

It is best to adjust the angle with the vehicle on level ground with lights facing a wall, garage door or other solid barrier. We recommend checking from a distance of 25'. Your installation is now completed.



## LED LIGHT BRACKET INSTALLATION - COMPLETE



# ZROADZ

DYNAMIC LED MOUNTING SOLUTIONS

## ZROADZ PRODUCT WARRANTY

### ZROADZ PRODUCT WARRANTY

ZROADZ warrants its grille products to be free from defects in material and workmanship for the lifetime of the grille. ZROADZ warrants the finish of its grille products for a 3 year period beginning at the time of sale to the end user. These warranties are limited warranties and do not cover abuse, modification or improper installation nor do they cover finish failure caused by caustic cleaning agents, road salts or other chemicals. ZROADZ reserves the right to repair or replace a defective product at its sole discretion. Any ZROADZ product must be returned to ZROADZ for warranty consideration and must be returned at the customer's expense. In the event that the product is deemed to be defective, the repaired or replaced item will be returned via a surface shipping method to the customer at ZROADZ expense. No provision is made for any labor, rental car or other costs incurred by the failure of its products.

## LED LIGHTING EQUIPMENT INSTALLATION / DISCLAIMER

### WARNING

**PLEASE CONSULT YOUR LOCAL AUTOMOTIVE ELECTRICAL PROFESSIONAL FOR INSTALLATION SERVICES AND ADVICE.** ZROADZ IS ONLY EQUIPPED TO PROVIDE BASIC TECHNICAL ASSISTANCE DUE TO THE DIVERSITY OF VEHICLES, VEHICLE OPTIONS & MODIFICATIONS AND LIGHTING CONFIGURATION OPTIONS AVAILABLE. ZROADZ cannot be held liable due to improper component installation and / or faulty wiring.

### GENERAL GUIDELINES

LED Lights & LED Light Bars operate at relatively high currents and should only be installed by qualified personnel with experience in Switched / relayed high draw DC Circuits.

- Light Bars are designed for use only with standard 12v DC power systems
- Light Bars are for OFF-ROAD USE ONLY. Check your local laws & regulations regarding vehicle mounted lights.
- Some Light Bars are equipped with waterproof connectors while others are simply pig-tailed
- Red Wires = POSITIVE | Black Wires = NEGATIVE
- ALWAYS install your lights on a fused circuit. Basic fusing guidelines: maximum 5A for every 10" of LED Light Bar.

### GENERAL USE, INSTALL AND ADJUSTMENT TIPS

NOTE 1: ZROADZ LED Light Bars themselves are for OFF-ROAD USE ONLY.

NOTE 2: Light Bars depending on the configuration of your vehicle and its options and/or modifications may need to be adjusted for appropriate beam projection. To adjust the angle of your light bars simply loosen the mounting hardware on either side of each Light Bar, rotate the Light Bar to adjust the angle, then tighten the hardware once the desired angle is achieved (please be careful not to over-tighten the mounting hardware or scratch the protective powder-coat finish). It is best to adjust the angle with the vehicle on level ground with the lights facing a wall, garage door or other solid barrier at a distance of approximately 25-30 feet.

NOTE 3: Please consult a qualified automotive electrical professional for light bar wiring installation.

NOTE 4: An optional universal wiring harness (part# Z390020S-A) is also available that includes high-heat & oil/fuel resistant wires, waterproof connector, 12v relay, 12v rocker switch, in-line fuse holder. Our universal wiring harness significantly expedites the installation process but is not a vehicles specific "Plug & Play" product and does not eliminate the need for a professional installation.

Please contact your local ZROADZ dealer for more information or visit [www.zroadz.com](http://www.zroadz.com).

## PRODUCT CARE INFORMATION

### PRODUCT CARE INFORMATION

Wash regularly as you would when caring for your vehicles. Never use dish soap. Never leave wet water spots as that may leave a blemish.

### MATTE BLACK FINISH

Paint warranty applies to defects in material and / or workmanship, it does not cover the matte finish surface appearance.

To enjoy the matte appearance for many years to come, please follow these owner care and maintenance tips.

Get a no-shine matte car wash soap that uses no fillers, no silicone, and won't strip your matte paint of its layer of protection.

Do not use wax, detail spray, armorall®, or any products made for normal paint. Use only products specifically developed for matte finish paint. Do not use products that are even mildly abrasive, such as polishes, glazes, or rubbing compounds. Do not use mechanical cleaners or polishers. Do not use terry cloth, cloth, or paper towels. Do not rub the finish vigorously, this will burnish the paint finish, causing a permanent shiny spot. Shiny spots cannot be removed.

Do not use commercial car wash facilities or their shine enhancement products. Most car wash brushes, large mechanized "towels," and shine enhancement products can damage matte paint.

Remove foreign substances such as insect remains, tar, and road debris using a soft applicator and a mild solvent; saturate and soak area before cleaning—rub lightly.

Hand-wash with a soft wash mitt and mild cleaning product safe for matte paint. Use microfiber cleaning cloths with alcohol-based window cleaner for basic surface clean-up.

### GLOSS BLACK FINISH

ZROADZ with Gloss Black Powder Coated Finish may be washed regularly as you would when caring for your vehicles finish using soap and water. ZROADZ should be waxed at the same time that you wax the vehicle. As a general rule, anything you use to clean your vehicles painted surfaces can be used to clean and maintain your ZROADZ grille. A Gloss powder Coated Finish can be cared for in the same fashion that you would care for your vehicles factory paint job. Never leave wet water spots as that may leave a blemish.