



SOFT ROLL UP TRUCK BED COVER

P/N 1118517 Rev C

WARRANTY

Our company warrants this product to be free of defects in material and workmanship at the time of purchase by the original retail consumer. We disclaim any other warranties, express or implied, including the warranty of fitness for a particular purpose or an intended use. If the product is found to be defective, we may replace or repair the product at our option, when the product is returned prepaid, with the proof of purchase. Alteration to, improper installation, or misuse of this product voids the warranty. Our company's liability is limited to repair or replacement of products found to be defective, and specifically excludes liability for any incidental or consequential loss or damage.

ATTENTION!

1. Do not place objects on or against cover or framework.
2. Do not tie cargo to cover framework.
3. Never allow children or pets to occupy pickup box while cover is closed.
4. Cover is not airtight. Special care is required to keep cargo clean and dry.
5. Fabric cover won't prevent theft of contents inside truck box.
6. Cover must be rolled fully open and secured with retainer straps when towing vehicle backwards.
7. Opened cover must be secured with both retainer straps when driving vehicle.
8. Cover must NEVER be rolled partially open while operating vehicle.
9. Cover must be rolled fully open and secured with retainer straps if any part of the truck bed cover is worn or damaged.

OWNER/USER RESPONSIBILITIES

It is the responsibility of the owner/user to read this manual and comply with the operating procedures. The owner/user is also responsible for inspecting their truck bed cover system, and for having parts repaired or replaced when worn or damaged.

Failure to follow safety instructions and warning labels could result in failure of your cover system and/or personal injury.

MESSAGES TO INSTALLER

- Always wear safety glasses and/or other necessary protective equipment when installing your truck bed cover system.
- These instructions are complete for most pickup models. Additional instructions are included, if required for your pickup. Please read entire manual before installing your truck bed cover system.

COVER MAINTENANCE

Vinyl cover can be hand washed with mild soap and water or cleaned in a car wash. Thoroughly rinse cover to remove any soap residue. Cover can be treated with any vinyl protectant made for truck bed covers. **Never use any vinyl conditioners (ie, Armor All®) that contain silicone, petroleum, or citrus based products on your truck bed cover as they may crack and shrink the vinyl.**

DIRECT ALL WARRANTY CLAIMS TO:

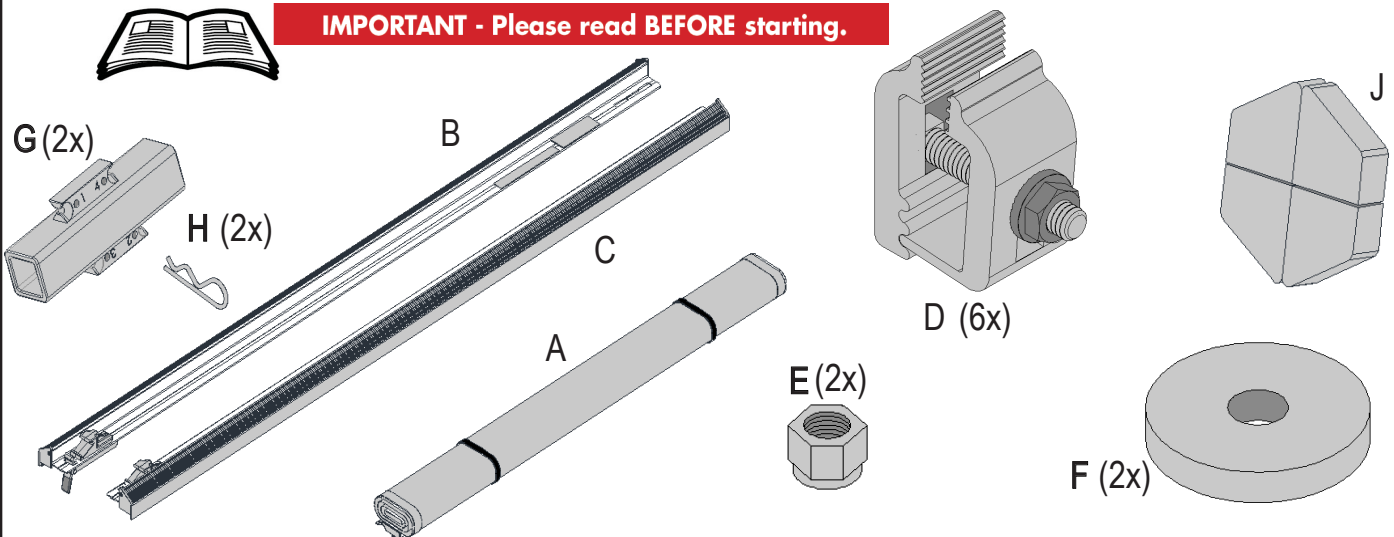
Before returning any item please call 1-800-222-7023 or email: support@roughcountry.com to receive instructions and Return Goods Authorization (RGA) number. Please have your order number and full contact information available, along with the reason for your return.

WARNING

Tighten clamps securely on side rails before driving vehicle, to prevent cover from blowing off.

Components

IMPORTANT - Please read BEFORE starting.



Tools Required



3/8 Ratchet

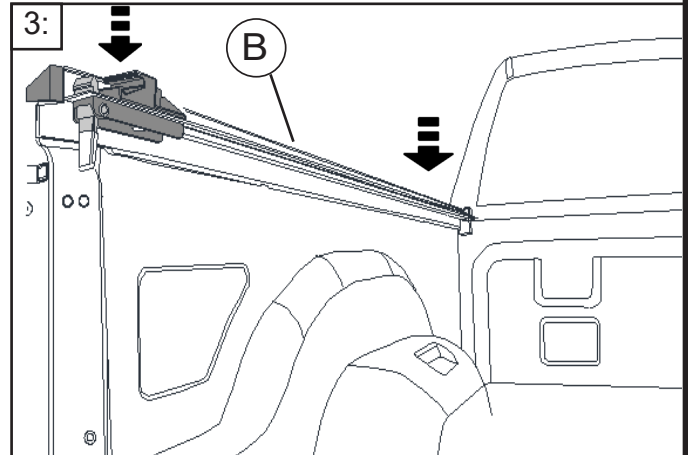
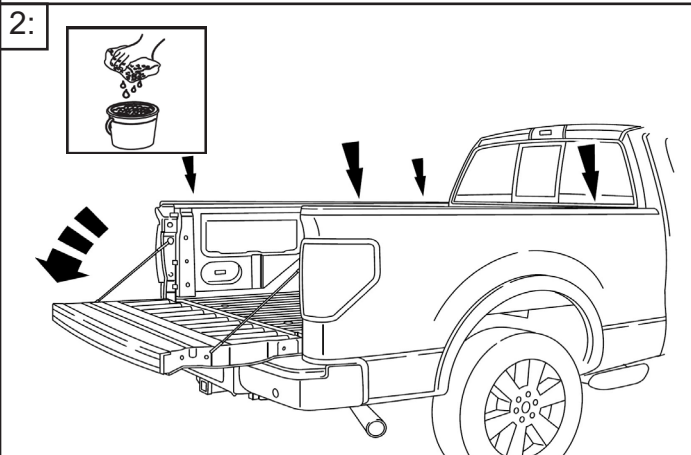
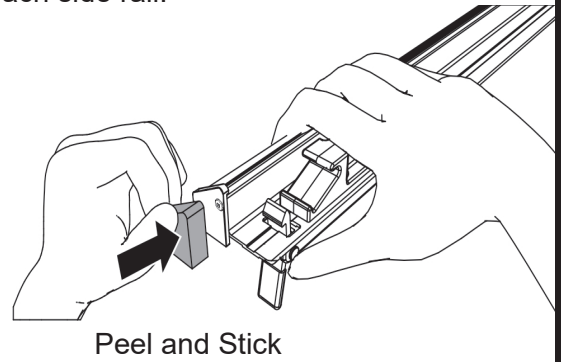
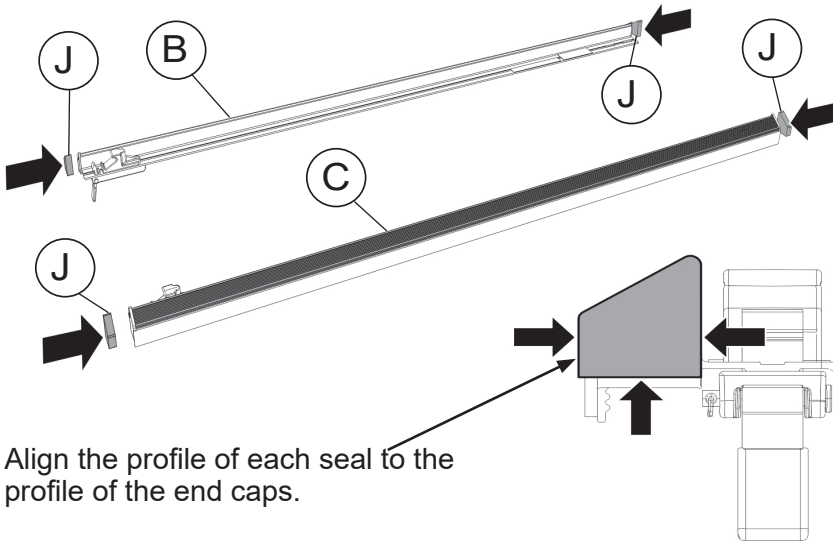


9/16" SAE Socket



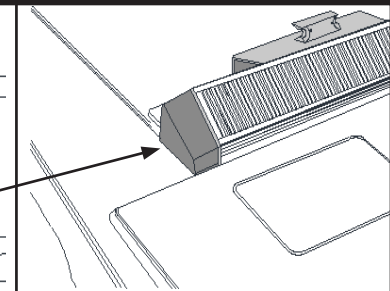
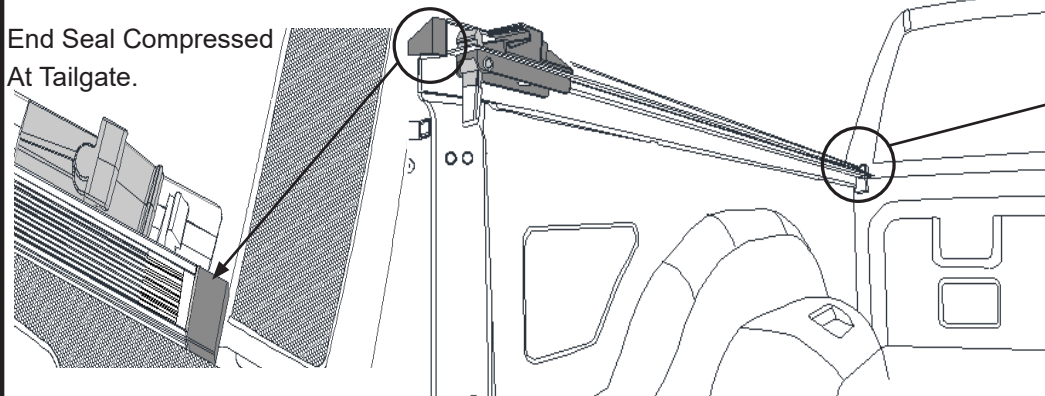
1/2" SAE Socket

- 1: Attach the foam weather seal pieces, Item "J", to the ends of each side rail.



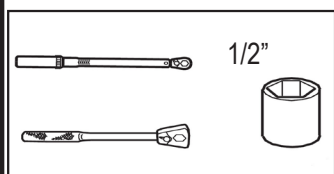
4: With Tailgate Closed, Position Side Rail Compressing End Seals Equally Between Cab and Tailgate.

End Seal Compressed At Tailgate.

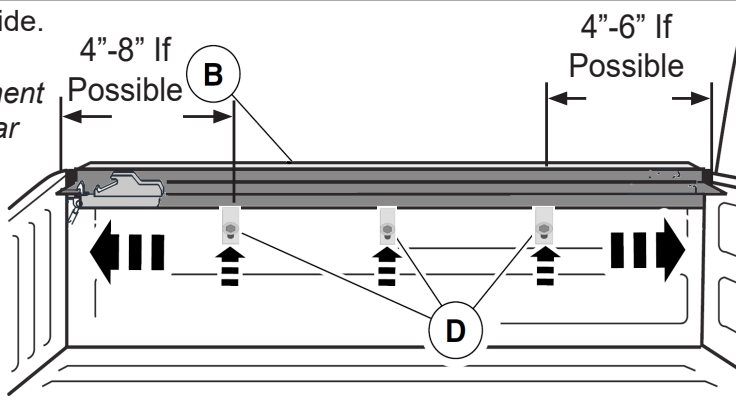


End Seal Compressed At Cab.

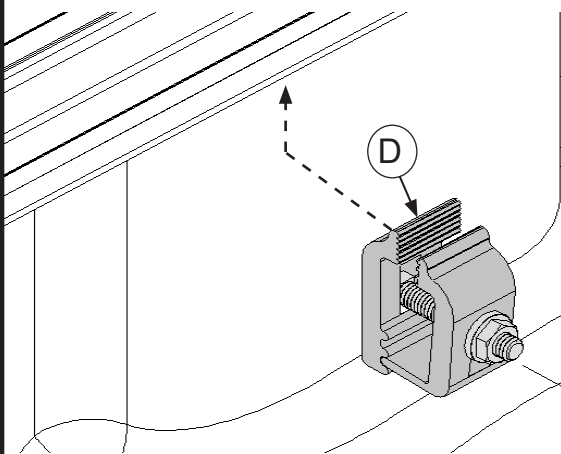
5: Install three clamps per driver and passenger side.



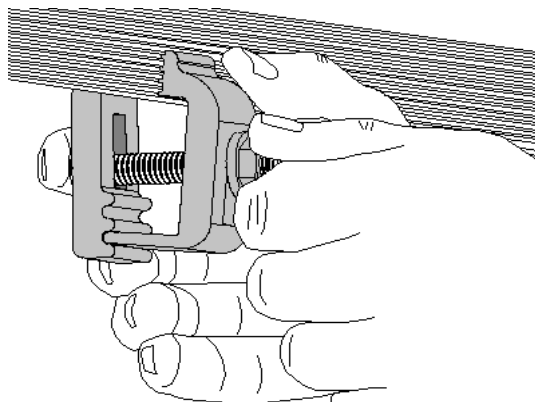
Attention: Clamp placement depends on the trucks rear corner, middle, and front corner post locations.



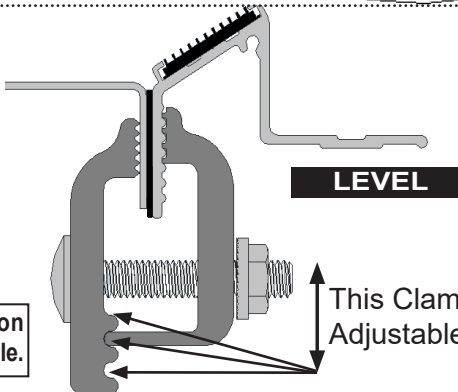
Install clamps as shown.



When installing clamps, finger tighten nut holding back side of clamp. Be sure teeth on clamps engage with the teeth on the side rails.



Attention: In most truck applications the rails will not be perfectly level, some upward tilt or downward tilt is acceptable.



To Level side rail, adjust clamps up or down as needed.

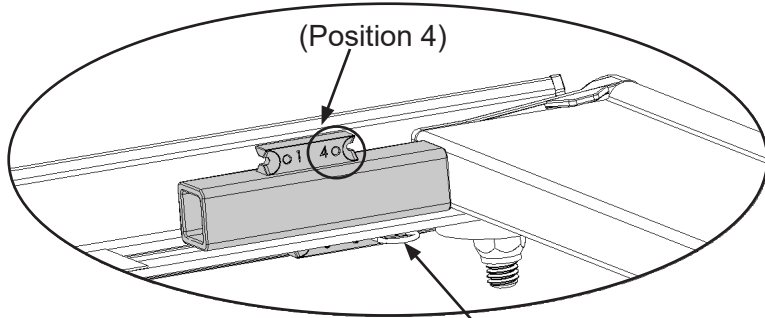
WARNING Tighten clamps securely on side rails before driving vehicle.

This Clamp is Adjustable

6: Repeat steps 3-5 on passenger side for item C. Proceed to step 7 when complete.

SETTING TENSION ADJUSTMENT BLOCKS

- 7: Cover tension is controlled by a four position adjustable block. To start, place blocks in position shown below, with 4 on top and closest to front header. Secure blocks with hitch pin in #2 hole, this is the least amount of tension.



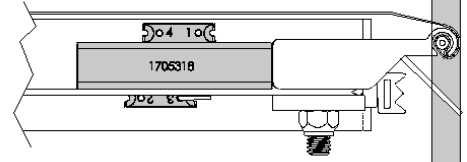
Setting cover tension

1. Set cover tension during warmest part of the day.
2. Roll cover open to adjustable block.
3. Pull Hitch pin and rotate blocks to the desired position. Replace Hitch pin. (**Driver and passenger blocks must always be in the same position.**)
4. Close cover and re-check adjustment. Repeat until satisfactory tension has been achieved.

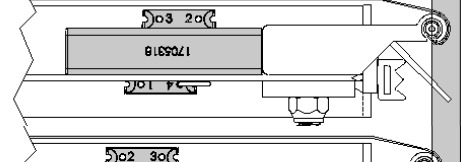
Hitch pin in #2 hole

Position 1
Maximum

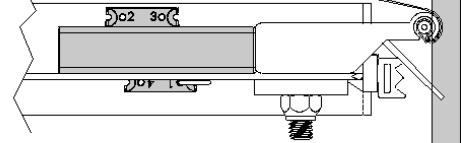
Adjustment Zone



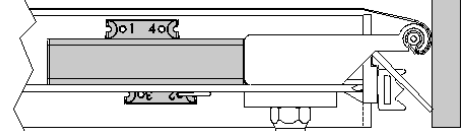
Position 2



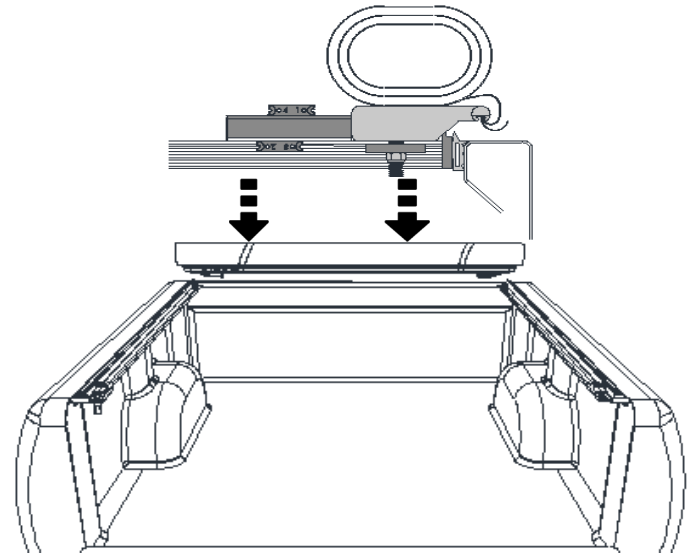
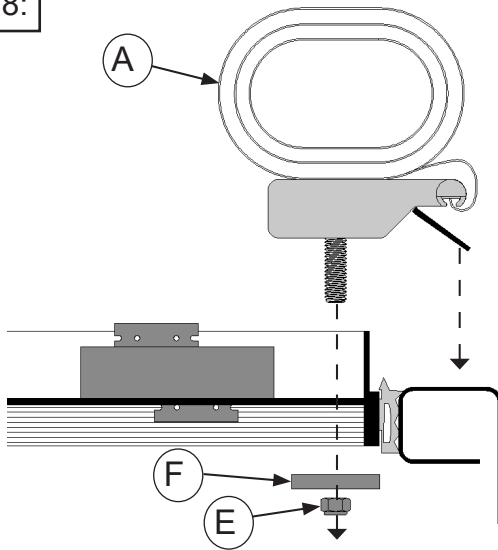
Position 3



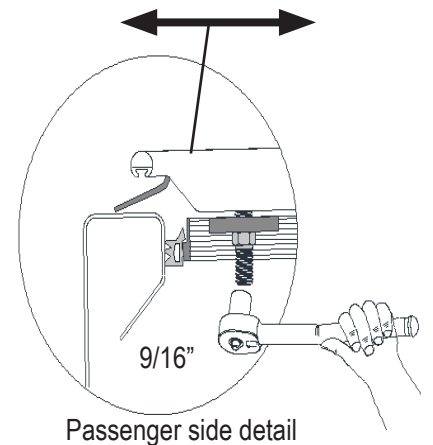
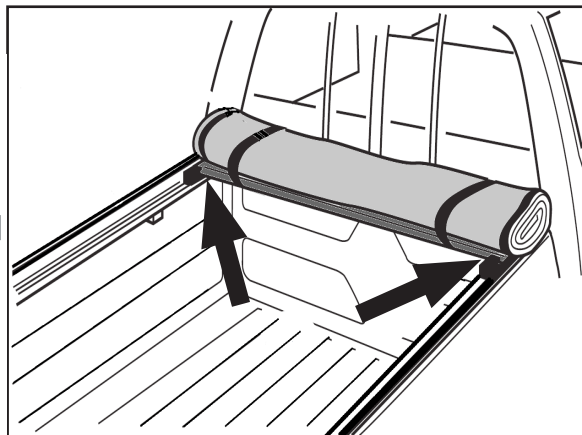
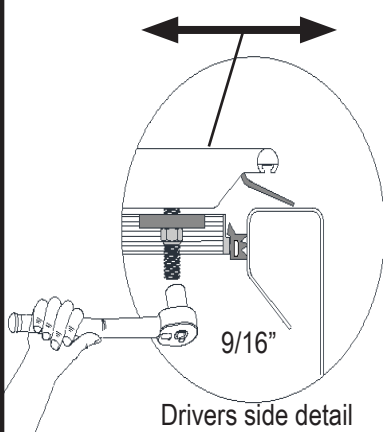
Position 4
Minimum



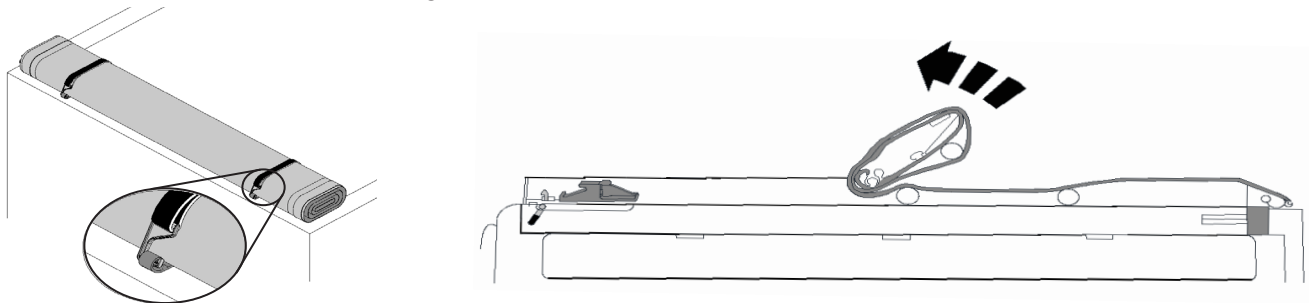
8:



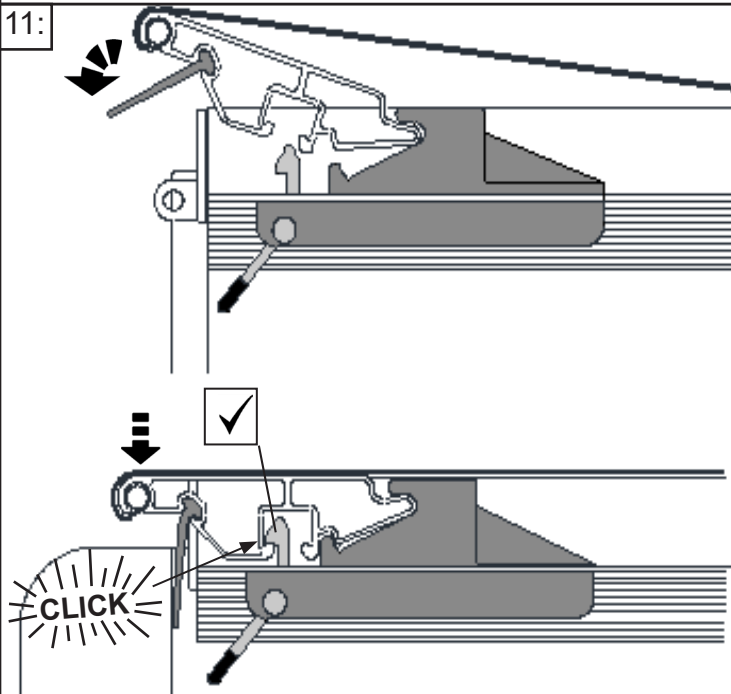
- 9: Thread nut onto bolt, enough to be tight but still able to move freely. **DO NOT** over tighten nut and plastic washer connection.



10: Unhook and unroll cover to the tailgate.

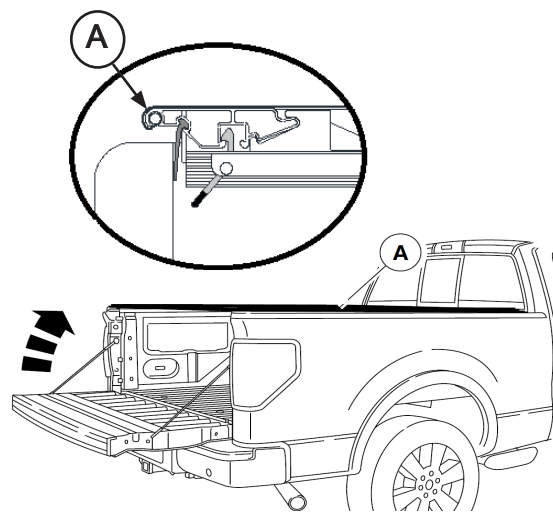


11:



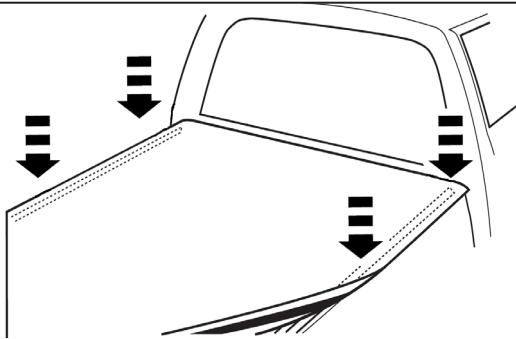
12:

NOTE: Preferred method to close cover. Roll cover closed then close tailgate. Seal will be inside the tailgate. If tailgate has a key lock, truck bed cover is secured until tailgate is unlocked and opened.



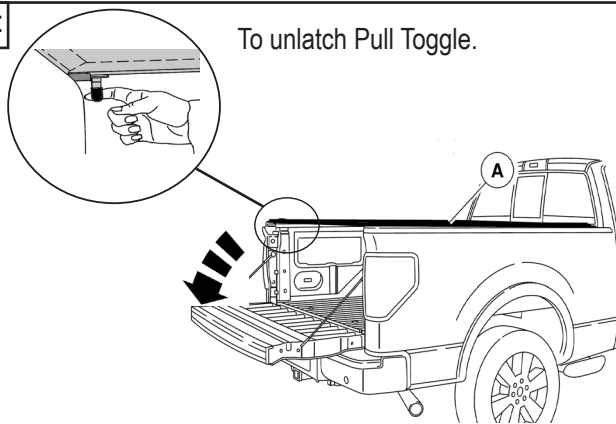
13:

NOTE: Secure hook fastener and loop fastener along entire length of both side rails before driving vehicle. This will prevent wind lifting the cover and causing damage.

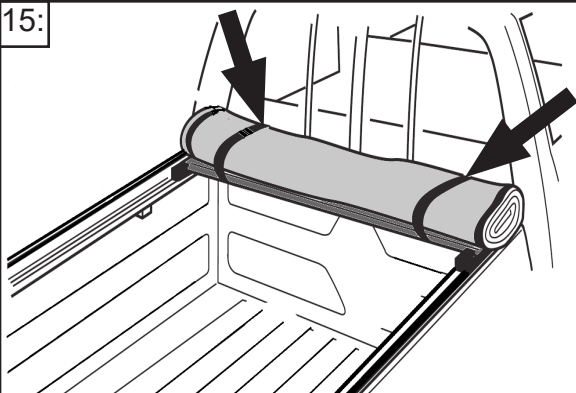


14:

To unlatch Pull Toggle.



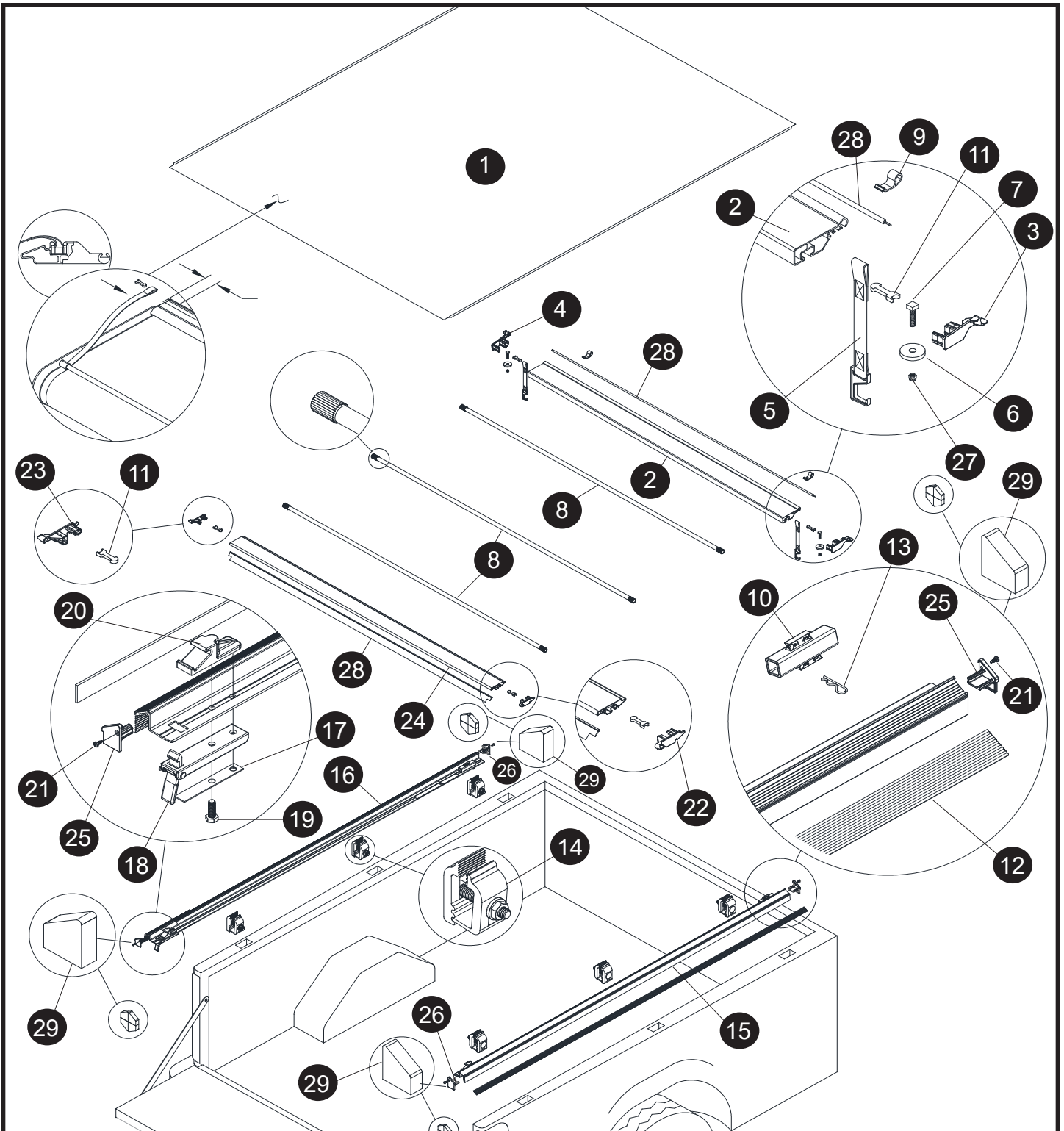
15:



CAUTION

ROLL COVER TIGHT AND SECURE BOTH RETAINER STRAPS. **DO NOT** STOW COVER AGAINST CAB WINDOW.

To stow cover open roll cover to the front. Secure both hooks **DO NOT** stow cover against cab window.



REPLACEMENT PARTS

- | | | | | | | | | |
|----|---------|-----------------------------|----|---------|-----------------------------|----|---------|-------------------------------|
| 1 | * | Replacement Cover | 12 | * | Hook Strip | 23 | 1705404 | Rear Header End Plug LH |
| 2 | * | Front Header | 13 | 1703332 | Hitch Pin | 24 | * | Rear Header |
| 3 | 1705310 | Front Header End Plug RH | 14 | 1706362 | Clamp Assembly (6) | 25 | 1706421 | Side Rail End Plug LH |
| 4 | 1705311 | Front Header End Plug LH | 15 | * | Side Rail, Passenger's Side | 26 | 1706422 | Side Rail End Plug RH |
| 5 | * | Retainer Strap | 16 | * | Side Rail, Driver's Side | 27 | 1701580 | Hex Nut Full Nylon Lock |
| 6 | 1115745 | Plastic Washer | 17 | 1114773 | Flat Spring | 28 | * | Extruded Header Seal |
| 7 | 1703455 | Square Head Cap Screw | 18 | 1704213 | Latch Assembled | 29 | 1706424 | Four Corner Weather Seal Pack |
| 8 | * | Bow Assembly | 19 | 1703455 | Cap Screw | | | |
| 9 | 1705192 | Retainer Loop | 20 | 1705336 | Header Stop | | | |
| 10 | 1705318 | Tension Adjustment Block | 21 | 1703690 | Self Drill Screw | | | |
| 11 | 1705364 | Header Insert Retainer Clip | 22 | 1705405 | Rear Header End Plug RH | | | |

* Please specify length or make and model of vehicle.