

ROUGH COUNTRY

SUSPENSION SYSTEMS®

TOYOTA 2005-21 Tacoma Crew Cab Aluminum Step Extrusion Brackets

Thank you for choosing Rough Country for all your vehicle needs.

Please read instructions before beginning installation. Check the kit hardware against the kit contents shown below. Be sure you have all needed parts and know where they go.

If question exist, please call us @1-800-222-7023. We will be happy to answer any questions concerning this product.

Check all fasteners for proper torque. Check to ensure for adequate clearance between all components.

Periodically check all hardware for tightness.

Kit Contents:

Step Rails x2
 Front End Caps x2
 Rear End Caps x2
 Dr Front Bracket x1
 Dr Mid/Rear Brackets x2
 Pass Front Bracket x1
 Pass Mid/Rear Brackets x2
 Steps x4

Tools Needed:

13mm Socket/Wrench
 5mm Allen Wrench

Hardware Included:

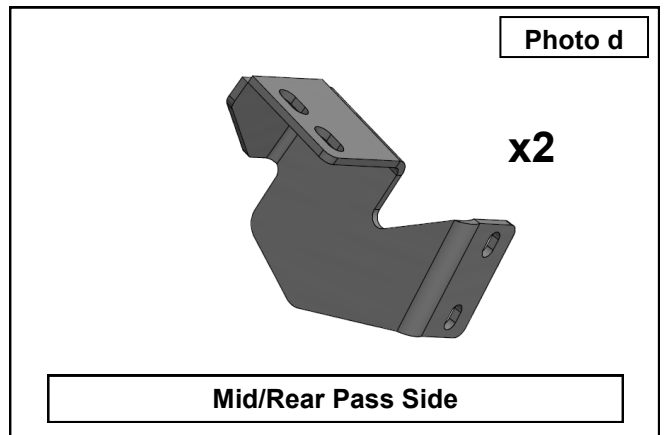
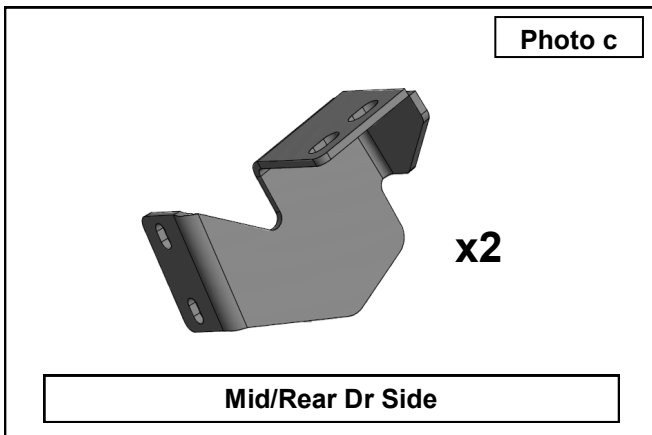
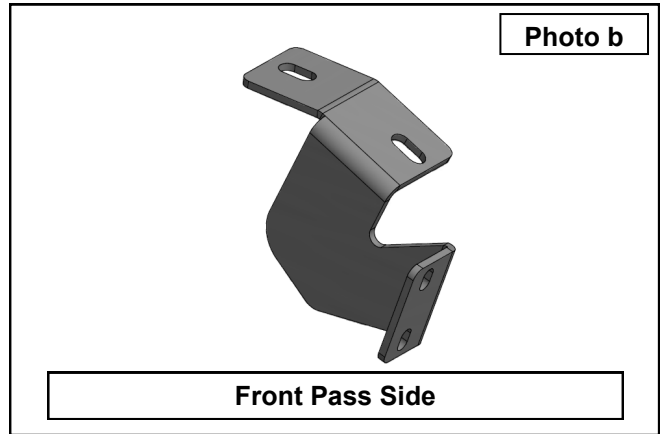
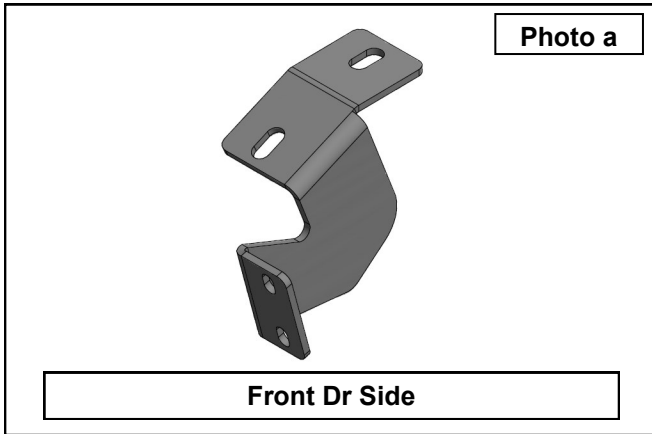
8mm x 25mm Bolts x48
 8mm Oversized Washers x12
 8mm Lock Washers x12
 8mm Lock Nuts x36
 8mm Finish Nuts x12
 8mm x 10mm Button Head x12



Torque Specs:

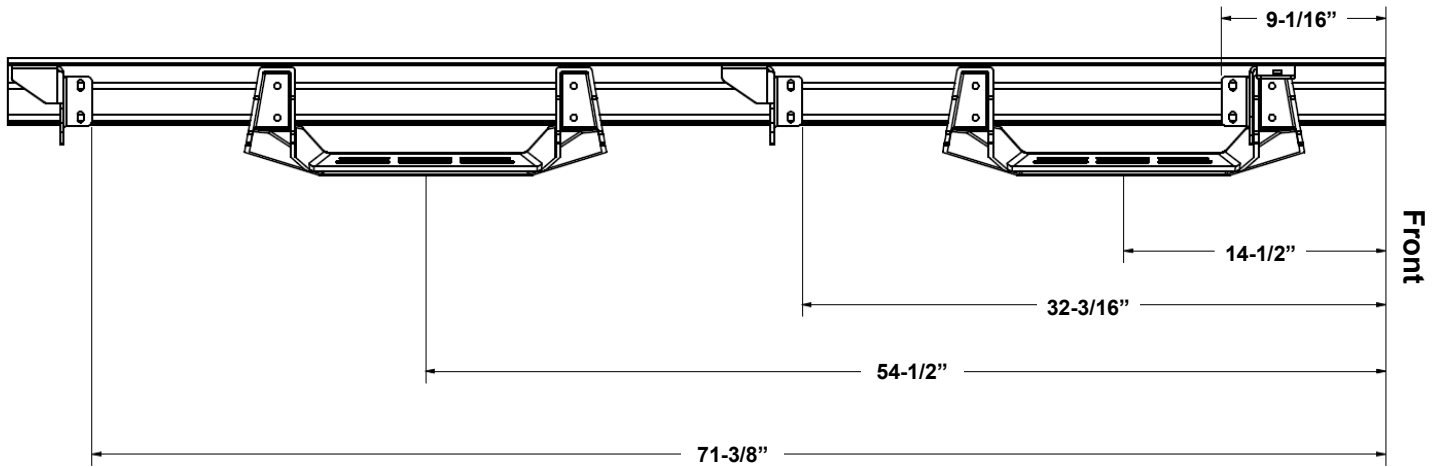
Size	Grade 5	Grade 8	Size	Class 8.8	Class 10.9
5/16"	15 ft/lbs	20ft/lbs	6MM	5ft/lbs	9ft/lbs
3/8"	30 ft/lbs	35ft/lbs	8MM	18ft/lbs	23ft/lbs
7/16"	45 ft/lbs	60ft/lbs	10MM	32ft/lbs	45ft/lbs
1/2"	65 ft/lbs	90ft/lbs	12MM	55ft/lbs	75ft/lbs
9/16"	95 ft/lbs	130ft/lbs	14MM	85ft/lbs	120ft/lbs
5/8"	135ft/lbs	175ft/lbs	16MM	130ft/lbs	165ft/lbs
3/4"	185ft/lbs	280ft/lbs	18MM	170ft/lbs	240ft/lbs



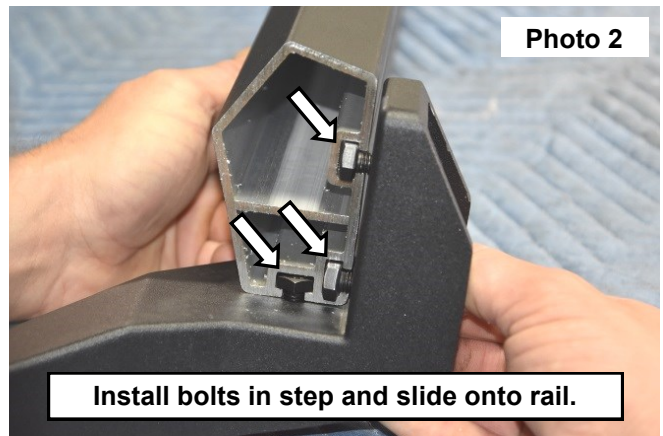
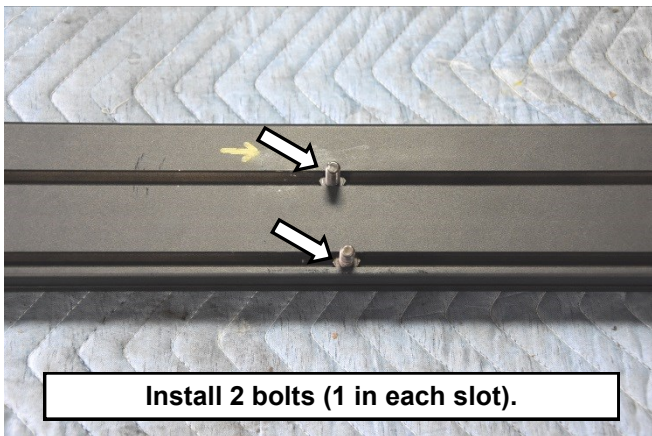


INSTALLATION INSTRUCTIONS

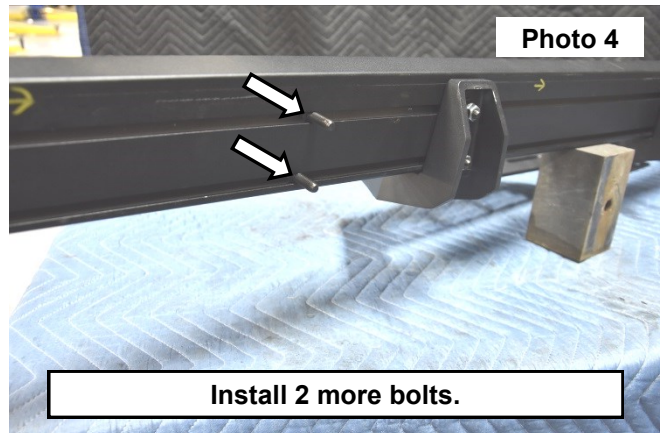
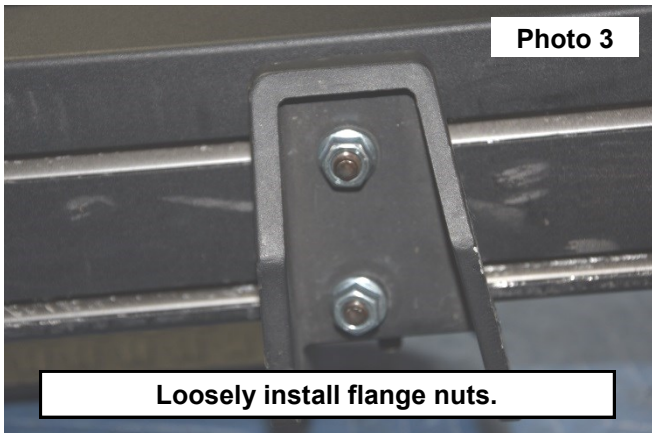
1. Reference the assembly drawing below as needed. **Note:** The measurements the drawing are guidelines but can be adjusted to the desired locations.



2. Install two 8mm x 25mm bolts in the upper and lower slots on the side of the rail. **See Photo 1.**
3. Loosely install the 8mm x 25mm bolts and flange nuts in the step and slide the step onto the rail. **See Photo 2 and Photo 3.**

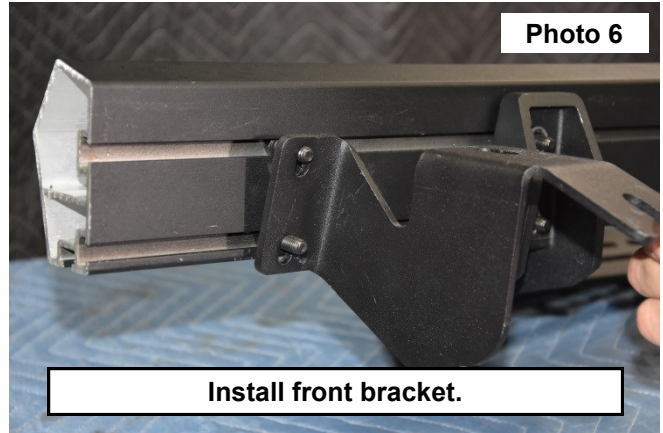
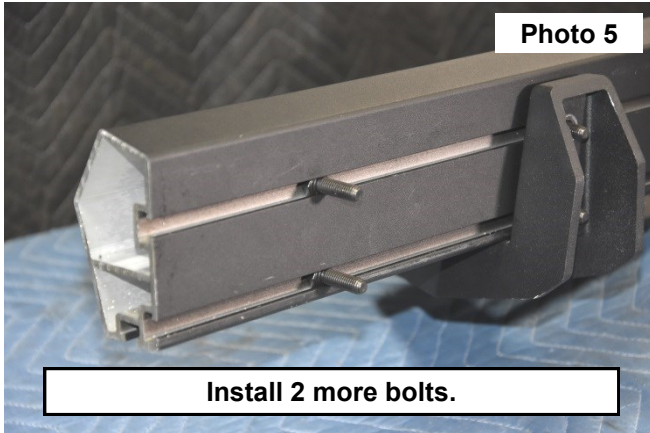


4. Install two more 8mm x 25mm bolts in the rail. **See Photo 4.**

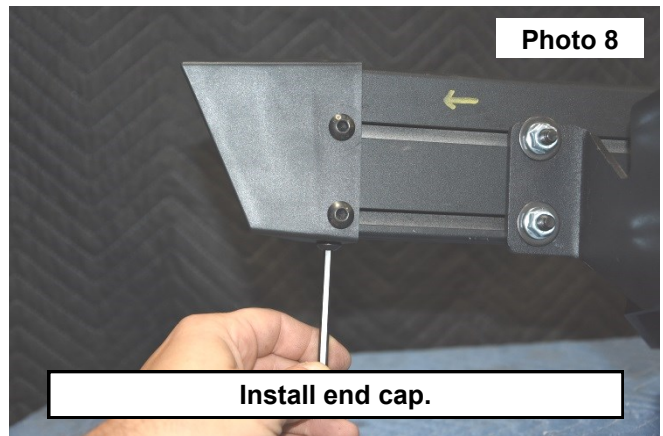
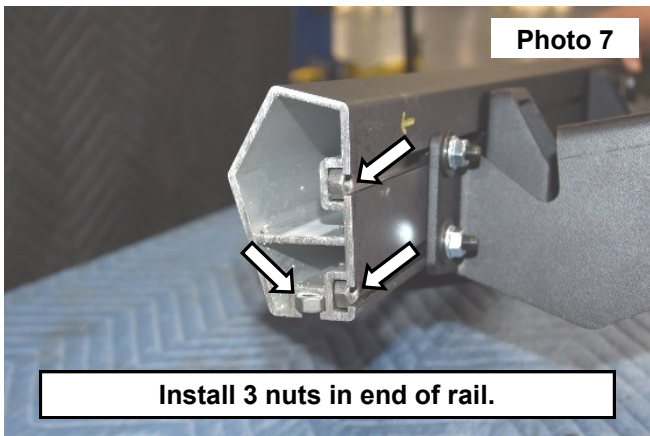


5. Install the second step the same way as the first.

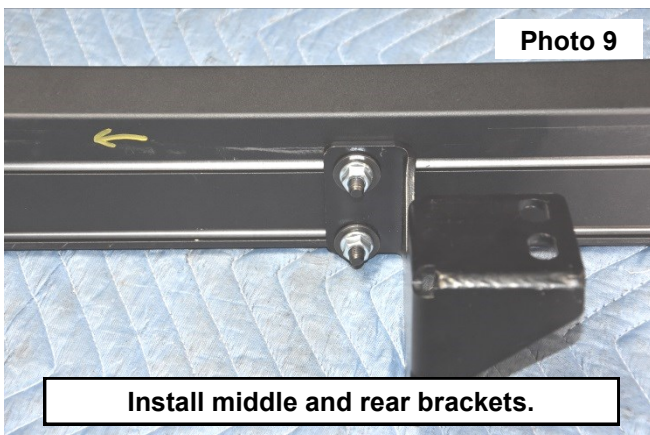
6. Install 2 more bolts. **See Photo 5.**
7. Install the front bracket for the Dr and Pass side (Photo a or Photo b on Page 2) using 8mm oversized washers, lock washers, and nuts. Do not fully tighten. **See Photo 6.**



8. Install 3 finishing nuts in the end of the rail. **See Photo 7.**
9. Install the end cap with the 8mm x 10mm bolts using a 5mm Allen wrench. **See Photo 8.**



10. Install the middle and rear brackets using the 8mm oversized washers, lock washers, and nuts. **See Photo 9.**
11. Install the other end cap.
12. Install the front, middle, and rear brackets to the bottom of the truck in the stock holes with the 8mm x 25mm bolts and 8mm oversized washers using a 13mm socket/wrench. **See Photo 10.**



13. When steps and rail are in the desired location, go back and tighten all hardware using a 13mm socket/wrench.

By purchasing any item sold by Rough Country, LLC, the buyer expressly warrants that he/she is in compliance with all applicable, State, and Local laws and regulations regarding the purchase, ownership, and use of the item. It shall be the buyers responsibility to comply with all Federal, State and Local laws governing the sales of any items listed, illustrated or sold. The buyer expressly agrees to indemnify and hold harmless Rough Country, LLC for all claims resulting directly or indirectly from the purchase, ownership, or use of the items.

