



INSTALLATION GUIDE

PART NUMBER: LK2003 6" LIFT BK STRUT SPACER KIT FORD F150 4WD | 2015-2021

This strut spacer kit was designed to be used with Belltech lift kit number 152501 or 152510. It cannot be used on a vehicle that has not been lifted 6" with a complete lift kit. It may be used on a vehicle that has been lifted 6" using another brand. However, Belltech has not tested cross-compatibility with other brands and cannot speak to how well each will work together.

300 W. PONTIAC WAY. CLOVIS, CA 93612
PHONE: 800-445-3767 | EMAIL: INFO@BELLTECH.COM

THANK YOU

Thank you for choosing our high quality Belltech product. We have spent a great deal of time developing our line of products so that you will receive maximum performance with minimal difficulty during installation. Soon your vehicle will be on the road looking and feeling much improved.

Please take a moment to read all instructions and warnings prior to installation of your new Belltech product and before operating your vehicle. If you have any questions or concerns regarding any step in the installation process, please do not hesitate to call or email our customer support specialists who are trained to help you through any portion of this process.

Before You Begin:

It is of the utmost importance that you confirm all of the components listed on the parts list is in the kit. You can find this list located on the last page(s) of your instructions. Do not begin installation if any part is missing. Instead, please call our Belltech customer service specialists.

Belltech Customer Support:

Phone: 1-800-445-3767

Email: info@belltech.com

Safety Information:

Warning: Do not work under a vehicle supported only by a jack. Place support stands securely under the vehicle in the manufacturer's specified locations unless otherwise instructed.

Proper use of safety equipment and eye/face/hand protection is absolutely necessary when performing any of the following instructions.

We strive for an exceptional experience for all our valued customers. If for any reason you need assistance with your Belltech products, please do not return the product to the store you purchased from, but rather call our dedicated customer service experts, from 6am to 5pm PST.

We recommend that a qualified mechanic, at a properly equipped facility, perform this installation.

It is very helpful to have an assistant available during installation.

Before Driving Your Vehicle:

It is important to double check all brake hoses, cables, and other components to be sure there is no interference. You must also check for wheel/tire to chassis/body interference. If any issues are found, review your installation instructions to be sure no steps were missed and any problems are corrected.

Make sure your vehicle is aligned immediately following installation.

Check all hardware and re-torque at intervals for the first 10, 100, and 1000 miles.

Some of Belltech's products are designed to improve your vehicle's off-road performance. Leveling/lifting your vehicle may result in an altered center of gravity. It is crucial to use extreme care when operating your vehicle to prevent rollover and/or loss of control.

Any changes in your vehicle's suspension may result in transformed handleability. Please test-drive your vehicle in a remote location so you can become accustomed to the revised driving characteristics.

Perform headlight check and adjustment.

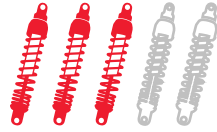
Failure to drive any modified vehicle in a safe manner may result in harm or death.

Never operate your modified vehicle under the influence of drugs, alcohol, or lack of adequate sleep.

Always wear your seatbelt.



DIFFICULTY:



INSTALLATION TIME:

1-2 Hours + Alignment

RECOMMENDED TOOLS:

- Properly rated floor jack
- Support stands
- Wheel chocks
- Metric and standard socket wrench set
- Metric and standard wrench set
- Tape measure
- Marking Pen

SPECIALTY TOOLS:

- High quality spring compressor
- Torque wrench up to 200lbs

INSTALLATION PREPARATION:

Before beginning the installation process, measure the hub to fender heights for your vehicle and record them in the “Before” section. After your vehicle has been modified, record the new measurements in the, “After” section. This way, you can compare the resulting height to the original. When taking the measurements, measure vertically from the center of the wheel to the inner edge of the fender.

Before:

LF: _____

RF: _____

LR: _____

RR: _____



After:

LF: _____

RF: _____

LR: _____

RR: _____

JACKING, SUPPORTING, AND PREPARING THE VEHICLE

1. Park your vehicle on a smooth, level, concrete or seasoned asphalt surface.
2. Block the rear wheels of the vehicle using wheel chocks. Make sure the vehicle's transmission is in "PARK" (automatic) or 1st gear (manual).
3. Activate the parking brake.
4. Loosen, but do not remove, the front wheel lug nuts.
5. Lift the front of the vehicle off the ground using a properly rated floor jack. Lift the vehicle so the front tires are approximately 6-8 inches off the ground.
6. Place support stands rated for the vehicles weight. The stands should be positioned in the factory specified locations. (Refer to owners manual). Prior to lowering the vehicle onto stands, make sure the support stands will contact the chassis. It is very important that the vehicle is properly supported to prevent any harm to ones self or to the vehicle.
7. Lower the vehicle slowly onto the stands.
8. Remove the front wheels.



Technician reminder:

Never work under a vehicle supported only by a jack. It is necessary to place support stands securely under the vehicle in the manufacturer's specified locations unless otherwise instructed.

OEM STRUT REMOVAL

9. Before removing any component, mark your current alignment settings.



10. Working on one side at a time, loosen and remove both of the lower control arm bolts that connect the lower control arm to the frame.
11. Using an 18mm wrench, loosen and remove the nuts securing the lower strut mount to the control arm. For trucks ranging from 2015 to 2020 also remove the sway bar end link nut from the lower control arm. For trucks 2021 or newer, proceed to the next step.



12. Push the lower control arm down until the lower strut studs are clear from the lower control arm.



13. Using an 18mm wrench, remove the 3 flanged nuts, securing the top of the strut to the chassis



OEM STRUT REMOVAL CONTINUED

14. Carefully drop the old strut out of the strut tower, making sure to stay clear of any brake or ABS lines.



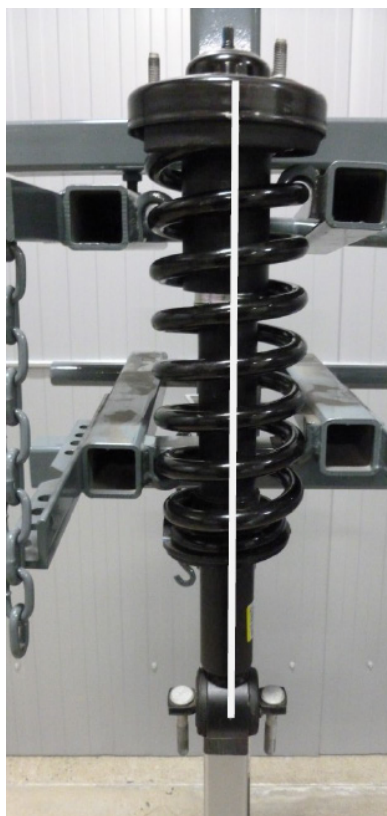
PRELOAD SPACER ASSEMBLY

15. Mount the entire spring/strut assembly in the fixture. To ease the installation of the new strut, mark the position of the top mount in relationship to the upper spring isolator and strut body.



Technician note:

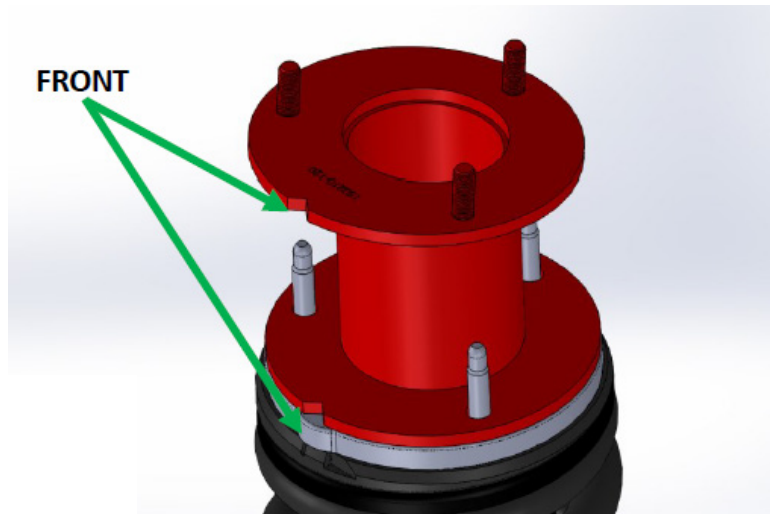
The installation photograph shown was taken at a professional installation shop. It is important to use a spring compressor to compress the spring before removing the top mount bolt. Failure to do so may result in serious injury.



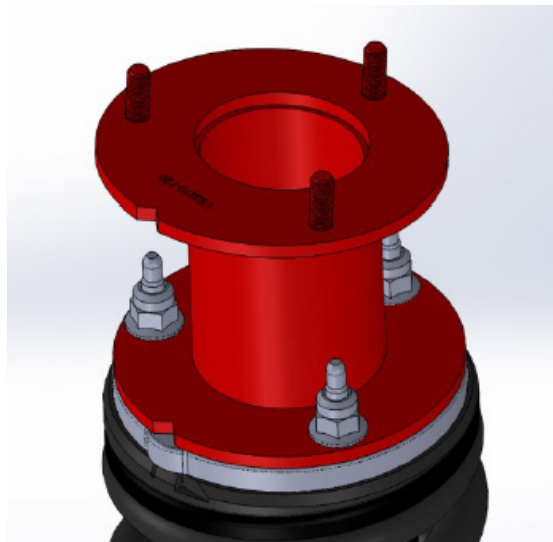
16. Compress the spring until tension is relieved from the strut.
17. Remove the top mount.
18. Place preload spacer between top mount and upper rubber spring isolator.
19. Replace the top mount and reassemble the strut.

STRUT SPACER INSTALLATION

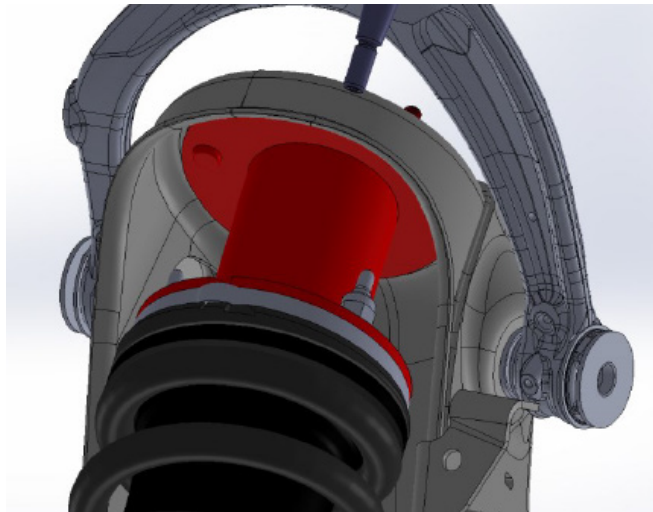
20. Install the Belltech strut spacer (part number 152501-120-992) onto the OEM strut top mount. Align the notch on the strut spacer with the front of the OE strut top mount.



21. Use the OE top strut nuts to secure the Belltech strut spacer to the OE strut top mount. Torque to 55ft*lbs.

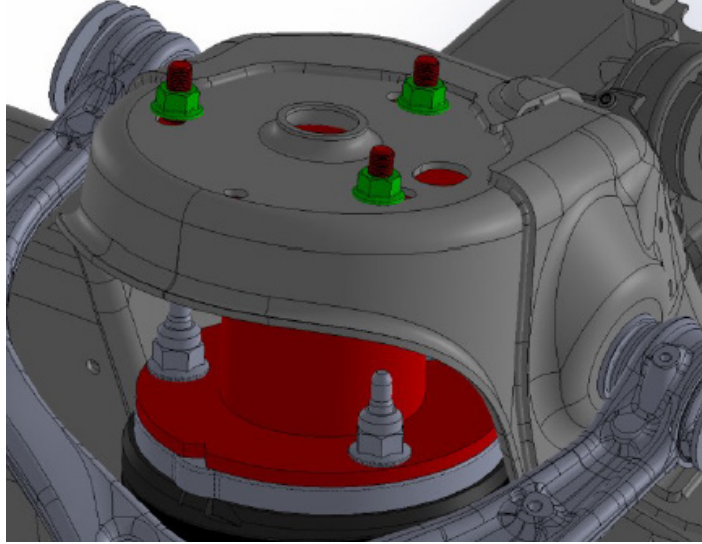


22. Install the OE strut with the Belltech strut spacer into the frame strut tower. The notch on the strut spacer should be facing outward.



STRUT SPACER INSTALLATION CONTINUED

23. Using the provided hardware, secure the Belltech strut spacer to the frame strut tower with three M10 nuts. Torque to 55 ft*lbs.



24. Using OE hardware, mount the bottom of the OE strut onto the control arm and torque to factory specifications.

25. Reattach the sway bar end link to the control arm if disconnected.

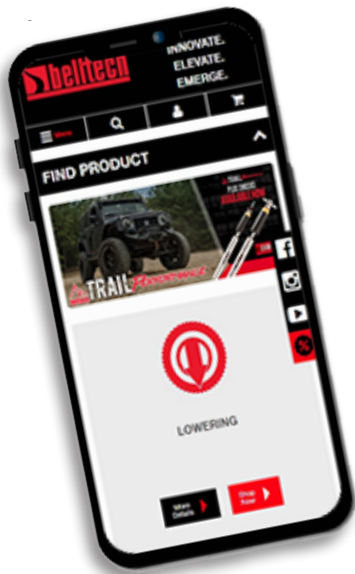
26. Attach the lower control arm to the frame using the OE hardware.

27. Set alignment settings to the markings made before removal. Torque to factory specifications.

28. Please refer to the 152501-888 (2015 to 2020) or 152510-888 (2021) instructions for the next steps installing your complete lift kit.

FINALIZING THE INSTALLATION

29. Re-install the wheels and tighten the lug nuts.
30. Lift the vehicle and remove the support stands.
31. Carefully lower the vehicle onto the flat ground.
32. Torque the lug nuts to manufacturer's specifications.
33. Check that all components and fasteners have been properly installed and torqued.
34. Re-read and perform all tasks in the "Before Driving Your Vehicle" section of page 1 of your instructions.



belltechsuspension



Belltech Suspension



@belltechsuspension

THANK YOU FOR CHOOSING BELLTECH.

You are now a part of the Belltech family and we are eager to catch a glimpse of your newly modified vehicle. Give us a shout out and let us know how much you love our product. Don't forget, we offer other Belltech related merchandise for you and your vehicle on our website, www.belltech.com!

VISIT OUR SITE



If you have any questions, concerns, or warranty related issues regarding your Belltech product, please call or email our experienced customer service specialists.

Belltech Customer Support:

Phone: 1-800-445-3767

Email: info@belltech.com

KIT CONTENTS



Part number	Description	Qty
152501-120-992	Strut Spacer (includes 3 nuts)	2
152502-121	Preload Spacer	2