



INSTALLATION GUIDE

PART NUMBER: 28015 LIFT STRUT
4" TO 6"
TOYOTA TACOMA | 2016-2021

This strut kit was designed to be used with Belltech lift kit number 154301. It cannot be used alone to achieve a 4" to 6" lift. It may be used on a vehicle that has been lifted 4" to 6" using another brand. However, Belltech has not tested cross-compatibility with other brands and cannot speak to how well each will work together.

300 W. PONTIAC WAY. CLOVIS, CA 93612
PHONE: 800-445-3767 | EMAIL: INFO@BELLTECH.COM

THANK YOU

Thank you for choosing our high quality Belltech product. We have spent a great deal of time developing our line of products so that you will receive maximum performance with minimal difficulty during installation. Soon your vehicle will be on the road looking and feeling much improved.

Please take a moment to read all instructions and warnings prior to installation of your new Belltech product and before operating your vehicle. If you have any questions or concerns regarding any step in the installation process, please do not hesitate to call or email our customer support specialists who are trained to help you through any portion of this process.

Before You Begin:

It is of the utmost importance that you confirm all of the components listed on the parts list is in the kit. You can find this list located on the last page(s) of your instructions. Do not begin installation if any part is missing. Instead, please call our Belltech customer service specialists.

Belltech Customer Support:

Phone: 1-800-445-3767

Email: info@belltech.com

Safety Information:

Warning: Do not work under a vehicle supported only by a jack. Place support stands securely under the vehicle in the manufacturer's specified locations unless otherwise instructed.

Proper use of safety equipment and eye/face/hand protection is absolutely necessary when performing any of the following instructions.

We strive for an exceptional experience for all our valued customers. If for any reason you need assistance with your Belltech products, please do not return the product to the store you purchased from, but rather call our dedicated customer service experts, from 6am to 5pm PST.

We recommend that a qualified mechanic, at a properly equipped facility, perform this installation.

It is very helpful to have an assistant available during installation.

Before Driving Your Vehicle:

It is important to double check all brake hoses, cables, and other components to be sure there is no interference. You must also check for wheel/tire to chassis/body interference. If any issues are found, review your installation instructions to be sure no steps were missed and any problems are corrected.

Make sure your vehicle is aligned immediately following installation.

Check all hardware and re-torque at intervals for the first 10, 100, and 1000 miles.

Some of Belltech's products are designed to improve your vehicle's off-road performance. Leveling/lifting your vehicle may result in an altered center of gravity. It is crucial to use extreme care when operating your vehicle to prevent rollover and/or loss of control.

Any changes in your vehicle's suspension may result in transformed handleability. Please test-drive your vehicle in a remote location so you can become accustomed to the revised driving characteristics.

Perform headlight check and adjustment.

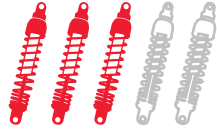
Failure to drive any modified vehicle in a safe manner may result in harm or death.

Never operate your modified vehicle under the influence of drugs, alcohol, or lack of adequate sleep.

Always wear your seatbelt.



DIFFICULTY:



INSTALLATION TIME:

1-2 Hours Per
Strut +Alignment

RECOMMENDED TOOLS:

- Properly rated floor jack
- Support Stands
- Wheel chocks
- Metric socket wrench set
- Metric wrench set
- Tape measure
- Oil-based paint pen

SPECIALTY TOOLS:

- Torque wrench up to 200ft/lbs
- High quality spring compressor

INSTALLATION PREPARATION:

Before beginning the installation process, measure the hub to fender heights for your vehicle and record them in the “Before” section. After your vehicle has been modified, record the new measurements in the, “After” section. This way, you can compare the resulting height to the original. When taking the measurements, measure vertically from the center of the wheel to the inner edge of the fender.

Before:

LF: _____

RF: _____

LR: _____

RR: _____



After:

LF: _____

RF: _____

LR: _____

RR: _____

JACKING, SUPPORTING, AND PREPARING THE VEHICLE

1. Park your vehicle on a smooth, level, concrete or seasoned asphalt surface.
2. Block the rear wheels of the vehicle using wheel chocks. Make sure the vehicle's transmission is in "PARK" (automatic) or 1st gear (manual).
3. Activate the parking brake.
4. Loosen, but do not remove, the front wheel lug nuts.
5. Lift the front of the vehicle off the ground using a properly rated floor jack. Lift the vehicle so the front tires are approximately 6-8 inches off the ground.
6. Place support stands rated for the vehicles weight. The stands should be positioned in the factory specified locations. (Refer to owners manual). Prior to lowering the vehicle onto stands, make sure the support stands will contact the chassis. It is very important that the vehicle is properly supported to prevent any harm to ones self or to the vehicle.
7. Lower the vehicle slowly onto the stands.
8. Remove the front wheels.



Technician reminder:

Never work under a vehicle supported only by a jack. It is necessary to place support stands securely under the vehicle in the manufacturer's specified locations unless otherwise instructed.

OEM STRUT REMOVAL

9. Remove the nut from the sway bar end link using a 17mm wrench and disconnect the end link assembly from the spindle. It will be helpful to have both sides of the vehicle disconnected simultaneously to avoid binding of parts. Optionally, the end link can be removed from the sway bar as well.



10. Disconnect the tie rod by removing the cotter pin and Castle nut. Strike the designated area carefully on the spindle to dislodge the tie rod.



11. Using a 19mm socket, remove the two bolts securing the lower ball joint to the spindle. Be careful to stabilize the spindle as it may now move freely.



12. Remove the bolt and nut securing the lower shock eyelet to the lower control arm.



13. Using an oil-based paint pen, mark the alignment of the camber and caster adjustment bolts securing the lower control arm to the frame. When reinstalling the control arms later, this will help keep the alignment close to proper settings.



OEM STRUT REMOVAL CONTINUED

- Using two 22mm wrenches, loosen both bolts securing the lower control arm to the frame. Loosen in small increments until the lower control arm is able to swing downward. Be careful to support the lower control arm to prevent it swinging down too quickly. The upper control arm has enough resistance to suspend the spindle/axle/upper control arm assembly.



- With the lower control arm swung out of the way, the strut should be held only by the three nuts on the top mount. While holding the strut up to avoid dropping it, loosen and remove the top three nuts using a 14mm wrench.



- Remove the strut from the vehicle. Some additional adjusting of the spindle's location may be necessary to drop the strut down. Be careful not to separate the joints of the axle by pulling on the spindle too much.

STRUT DISASSEMBLY

- Mount the entire spring/strut assembly in the fixture. To ease the installation of the new strut, mark the position of the top mount in relationship to the upper spring isolator and strut body.



Technician note:

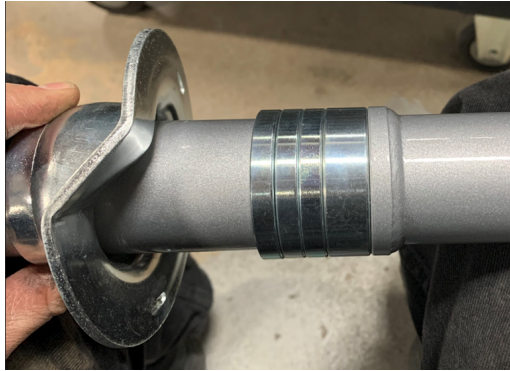
The installation photograph shown was taken at a professional installation shop. It is important to use a spring compressor to compress the spring before removing the top mount bolt. Failure to do so may result in serious injury.



- Compress the spring until tension is relieved from the strut.
- Remove the top mount. You will use this with your new Belltech coilover later.
- Remove the spring and strut from the fixture.

BELLTECH STRUT SETUP AND ASSEMBLY

21. Using the tables below as reference, place the specified rings and packers onto the Belltech strut.



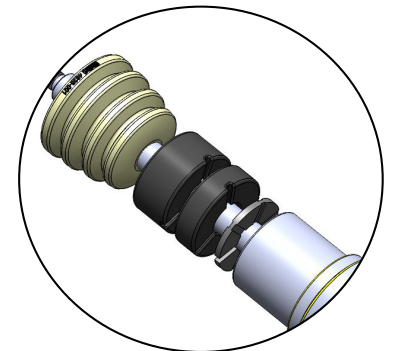
Year and Model	Toyota Tacoma 2016 - 2021		
Lift Height	Lift Height 4" (101.6mm)	Lift Height 5" (127mm)	Lift Height 6" (152.4mm)
7mm Ring Spacer	0	2	4
15mm Packer	0	1	2

22. Place the spring perch on top of the ring stack.
23. Slide the vent disk on next.
24. Referencing the table above, slide on the appropriate number of packers.
25. Slide the Belltech bump stop onto the strut ensuring that the flat portion is facing away from the bottom spring perch.

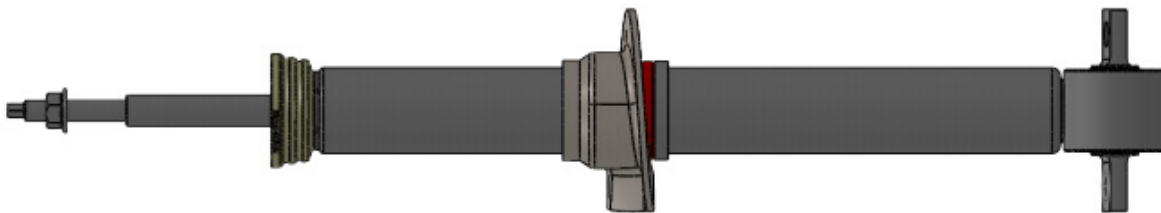


Technician note:

Belltech uses packers to maintain the correct bump stop engagement at various height ranges. Using the appropriate packer will prevent excessive body roll. If a packer is needed, according to the above charts, please place the packer on top of the vent disc, channel side down, as shown by the image to the right of this text box.



26. With the OE spring still compressed, slide the strut back into the spring and put the top mount back on.



27. Align the top mount with the spring, using the original marking you made.

BELLTECH STRUT INSTALLATION

28. Slide the Belltech strut into the OE strut's original placement, making sure to stay clear of any brake or ABS lines.
29. Using a 14mm wrench, tighten the upper strut nuts onto their correlating bolts.
30. Move the control arm back into place towards the coilover.
31. Using two 19mm wrenches, reattach the OE strut lower bushing.
32. Using a 19mm socket, attach the two bolts securing the lower ball joint to the spindle.
33. Reconnect the tie rod by reattaching the castle nut and inserting the cotter pin.
34. Use a 17mm socket to reattach the sway bar end links.
35. Realign and tighten the camber and caster adjustment bolts. Tighten the cams with the full weight of the vehicle on the suspension.



Technician note:

Installation of your strut will be performed in the reverse order of removal. If it helps you to have photographs to reference, you may view the photographs from steps 9 through 15.

FINALIZING THE INSTALLATION

36. Re-install the wheels and tighten the lug nuts.
37. Lift the vehicle and remove the support stands.
38. Carefully lower the vehicle onto the flat ground.
39. Torque the lug nuts to manufacturer's specifications.
40. Check that all components and fasteners have been properly installed and torqued.
41. Re-read and perform all tasks in the "Before Driving Your Vehicle" section of page 1 of your instructions.



belltechsuspension



Belltech Suspension



@belltechsuspension

THANK YOU FOR CHOOSING BELLTECH.

You are now a part of the Belltech family and we are eager to catch a glimpse of your newly modified vehicle. Give us a shout out and let us know how much you love our product. Don't forget, we offer other Belltech related merchandise for you and your vehicle on our website, www.belltech.com!

If you have any questions, concerns, or warranty related issues regarding your Belltech product, please call or email our experienced customer service specialists.

Belltech Customer Support:

Phone: 1-800-445-3767

Email: info@belltech.com

KIT CONTENTS



28015

Part number	Description	Qty
28015-200	Lift Strut	2

28015-200

Part number	Description	Qty
28015-200	Lift Strut with Bushing	1
25003-007	7mm Spacer	6
26015-002	Narrow Ring Perch	1
4935-001	15mm Bump Stop Packer	2
N/A	Flanged Nylock Nut	1
4923-001	Bump Stop 2"	1