



INSTALLATION INSTRUCTIONS



2011-18 GM C/K2500HD & C/K3500HD 4" ULTIMATE SYSTEM

FTS21104

Fabtech Motorsports | 4331 Eucalyptus Ave. Chino, CA 91710

Tech Line: 909-597-7800 | **Fax:** 909-597-7185 | **Web:** www.fabtechmotorsports.com



- PARTS LIST -

	FTS21108	4" SYSTEM W/ PERFORMANCE SHOCKS
2	FTS7341	PERFORMANCE SHOCK
2	FTS7299	PERFORMANCE SHOCK
1	FTS20503D	SPINDLE MACHINED (DRIVER)
1	FTS20503P	SPINDLE MACHINED (PASSENGER)
1	FT20533BK	UCA (DRIVER)
1	FT20534BK	UCA (PASSENGER)
2	FT20538	HIGH TRAVEL BALL JOINT
2	FT20550	TORSION KEY
1	FT20539	HARDWARE KIT
1	FT20540	HARDWARE SUBASSEMBLY

	FTS21184	4" SYSTEM W/ STEALTH SHOCKS
2	FTS6341	STEALTH SHOCK (FRONT)
2	FTS6019	STEALTH SHOCK (REAR)
1	FTS20503D	SPINDLE MACHINED (DRIVER)
1	FTS20503P	SPINDLE MACHINED (PASSENGER)
1	FT20533BK	UCA (DRIVER)
1	FT20534BK	UCA (PASSENGER)
2	FT20538	HIGH TRAVEL BALL JOINT
2	FT20550	TORSION KEY
1	FT20539	HARDWARE KIT
1	FT20540	HARDWARE SUBASSEMBLY

	FTS21199	4" SYSTEM W/ DIRT LOGIC SHOCKS
2	FTS810932	DIRT LOGIC 2.25 NON RESI FRONT
2	FTS810942	DIRT LOGIC 2.25 NON RESI REAR
1	FTS20503D	SPINDLE MACHINED (DRIVER)
1	FTS20503P	SPINDLE MACHINED (PASSENGER)
1	FT20533BK	UCA (DRIVER)
1	FT20534BK	UCA (PASSENGER)
2	FT20538	HIGH TRAVEL BALL JOINT
2	FT20550	TORSION KEY
1	FT20539	HARDWARE KIT
1	FT20540	HARDWARE SUBASSEMBLY

	FT20539	HARDWARE KIT
1	FTLOCK	THREAD LOCKING COMPOUND 1 MIL
2	FTCLAMP	CLAMP 3/8X1/2W .26THK NEOPRENE
2	FTCLAMP10	ADEL CLAMP #10
4	25200751052	SCREW 1/4-20 X 3/4 HEX G5 Z1
4	FT84	GREASE FITTING 1/4-28

	FT20540	HARDWARE SUBASSEMBLY
1	FT90111	BUSHING KIT
1	FTREGCARD	REGISTRATION CARD
1	FTAS16	DRIVER WARNING DECAL
2	FT21104I	INSTRUCTIONS

	FT90111	BUSHING KIT
8	FT1038	BUSHING BLACK URETHANE
4	FT77	SLEEVE 1.000 X .630 X 2.620
1	FTLUBE	URETHANE LUBE 1 PACKET

- TOOL LIST -

Required Tools (Not Included)

- Floor Jack
- Jack Stands
- Assorted Metric and S.A.E sockets, and Allen wrenches



- PRE-INSTALLATION NOTES -

Read this before you begin installation-

Check all parts to the parts list above before beginning installation. If any parts are missing contact Fabtech at 909-597-7800 and a replacement part will be sent to you immediately.

Read all instructions thoroughly from start to finish before beginning the installation. If these instructions are not properly followed severe frame, driveline and / or suspension damage may occur.

Check your local city and state laws prior to the installation of this system for legality. Do not install if not legal in your area.

Prior to the installation of this suspension system perform a front end alignment and record. Do not install this system if the vehicle alignment is not within factory specifications. Check for frame and suspension damage prior to installation.

The installation of this suspension system should be performed by two professional mechanics.

Use the provided thread locking compound on all hardware.

Do not combine this suspension system with any other lift device or parts.

This suspension must be installed with Fabtech shock absorbers.

WARNING- Installation of this system will alter the center of gravity of the vehicle and may increase roll over as compared to stock.

For technical assistance call: 909-597-7800 or e-mail: info@fabtechmotorsports.com

Cannot use OEM wheel and tire.

Will not fit standard cab models.

Requires cutting of fenderwell sheet metal for use with 35" tires.

Vehicles that receive oversized tires should check ball joints, tie rods ends, pitman arm and idler arm every 2500-5000 miles for wear and replace as needed.

Verify differential fluid is at manufactures recommended level prior to kit installation. Installation of the kit will reposition the differential and the fill plug hole may be in a different position. (For example, if the manufacture recommends 3 quarts of fluid, make sure the diff has 3 quarts of fluid). Check your specific manual for correct amount of fluid.

Due to variances, some vehicles may not sit level. To achieve more lift in the rear please order the following block and ubolt kit:

- FTS21110 (2500HD)

- FTS21111 (3500HD)

Recommend Tires and Wheels:

Use 33/12.50R18 tire w/ 18x9 wheels w/ 5 3/4" BS w/ minor trimming

Use 33/12.50R20 tire w/ 20x9 wheels w/ 5 3/4" BS w/ minor trimming

Use 35/13.50R18 tire w/ 18x9 wheels w/ 5 3/4" BS w/ fenderwell cutting

Use 35/13.50R20 tire w/ 20x9 wheels w/ 5 3/4" BS w/ fenderwell cutting

- INSTRUCTIONS -

FRONT SUSPENSION

1. Disconnect the negative terminal on the battery. Jack up the front end of the truck and support the frame rails with jack stands. **NEVER WORK UNDER AN UNSUPPORTED VEHICLE!** Remove the front tires.
2. Locate the torsion bar adjusting keys and threaded bolts. Measure exposed threads of torsion bar adjusting bolts and record for reinstallation. Mark torsion bars indicating driver and passenger. Using a torsion bar removal tool to unload the torsion bars and remove the crossmember and bars. Retain the hardware for reinstallation. NOTE- Do not attempt to unload or remove torsion bars without the proper torsion bar tool. Torsion Bars are under extreme spring load.
3. Remove the sway bar link ends from the lower control arm.
4. Beginning on the driver's side, disconnect the tie rod end from the steering knuckle by striking the knuckle to dislodge the tie rod end. **SEE FIGURE 1**

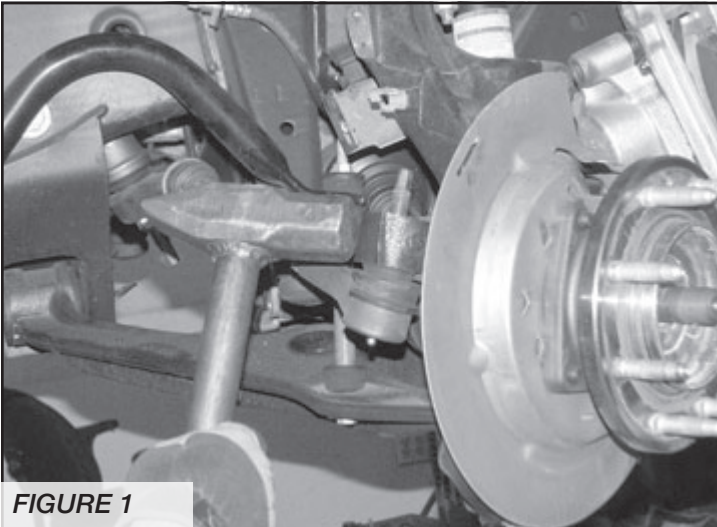


FIGURE 1

5. Remove the brake hose bracket from the top of the steering knuckle. Remove the caliper from the rotor and place above the upper control arm during this portion of the installation. Remove brake rotor from the steering knuckle. Unbolt the wheel speed sensor connection from the hub and control arm. **SEE FIGURE 2**

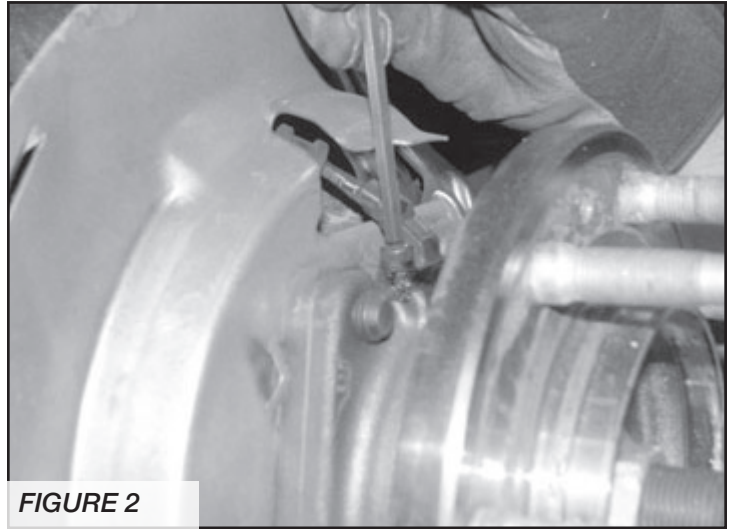


FIGURE 2

6. Remove axle nut, washer and the 4 hub bolts on backside of knuckle. Remove bearing hub assembly including O ring from knuckle. Retain parts and hardware for reinstallation.
7. Remove the upper and lower ball joint nuts. Disconnect the upper and lower ball joints from the steering knuckle by striking the knuckle with a large hammer next to each ball joint on the knuckle to dislodge the ball joints. Use care not to hit the ball joints when removing. Retain nuts and discard knuckle. **SEE FIGURE 3**

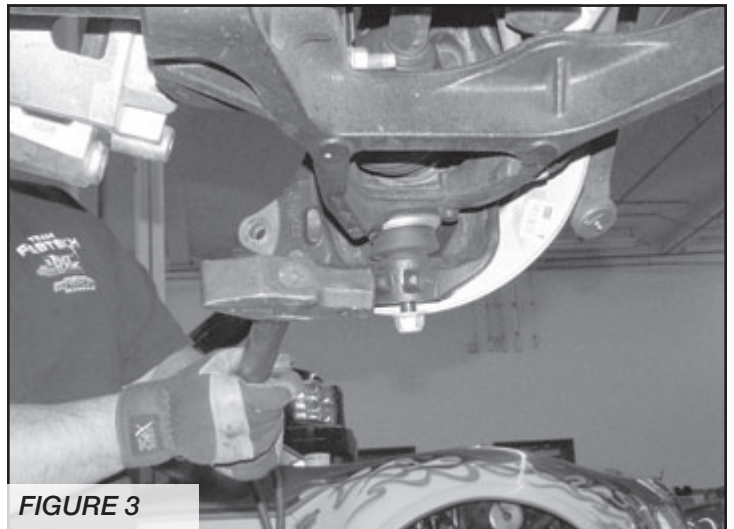


FIGURE 3

8. Remove the upper control arm. Retain the factory hardware. **SEE FIGURE 4**

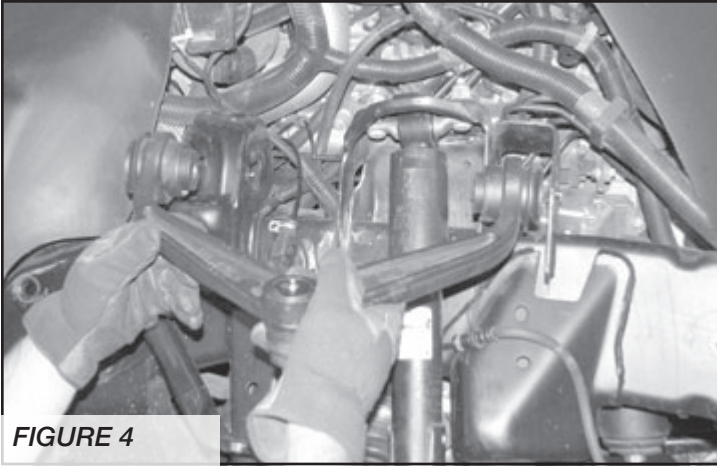


FIGURE 4

9. Remove the factory shock and discard.
10. Locate the FTS7341 shock and install the supplied bushings, bar pin and sleeve. Next, install using the factory hardware. Torque the upper bar pin bolts to 60 ft-lbs and the lower to 129 ft-lbs.
11. If installing Dirt Logic shocks, use a barrel sander to open up the factory hole to clear the new top washer. Next, install the upper shock mount (FT20484) into the factory upper shock tower using the using two 9/16"-12 x 1-1/4", washers and lock nuts. Torque to 184 ft-lbs. **SEE FIGURE 5**



FIGURE 5

12. Install the Dirt logic front shock with the supplied bushings and washers at the upper mount then bushing and sleeve at the lower mount using the factory hardware.

13. Locate the Fabtech driver's side control arm FT20533BK, four bushings FT1038; two grease zerks FT84, and two FT77 sleeves.
14. Install all these components in the control arm barrels. Locate the ball joint FT20538 and install onto the control arm ball joint plate. Use the supplied 5/16" bolts, nuts and washers. Lube ball joint through zerk fittings. Torque to 29 ft-lbs. **SEE FIGURE 6**

15. Install the new Fabtech upper control arm in the factory

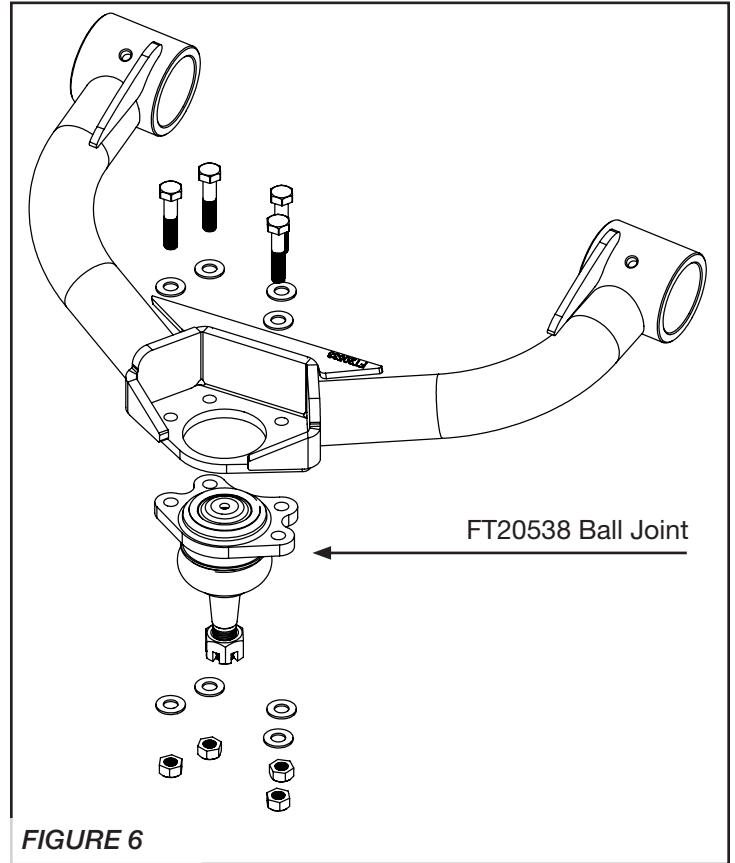


FIGURE 6

upper control arm pocket using factory hardware. **SEE FIGURE 7**

16. Locate the new Fabtech driver side spindle FTS20503D.

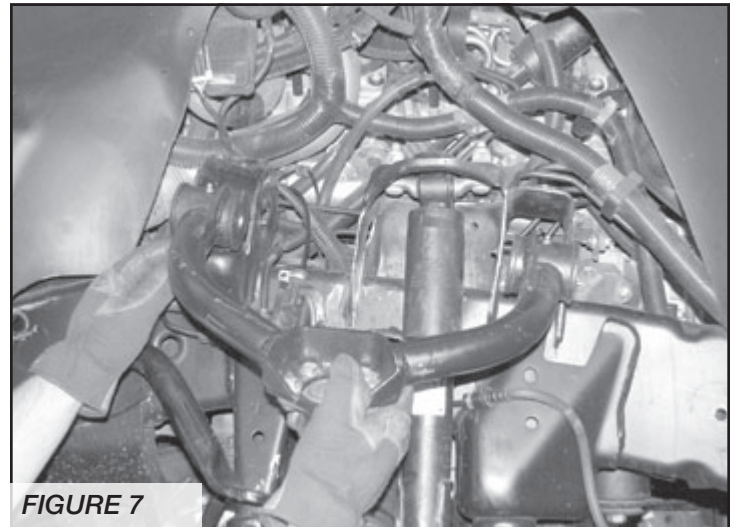


FIGURE 7

Locate the o-ring, dust shield and hub. Clearance dust shield as necessary. Install into the Fabtech spindle. Torque the factory hub bolts 184 ft-lbs. **SEE FIGURES 8-10**

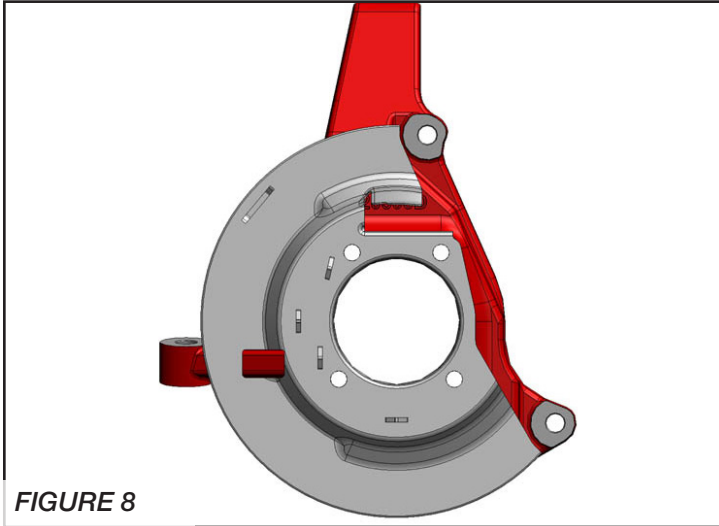


FIGURE 8

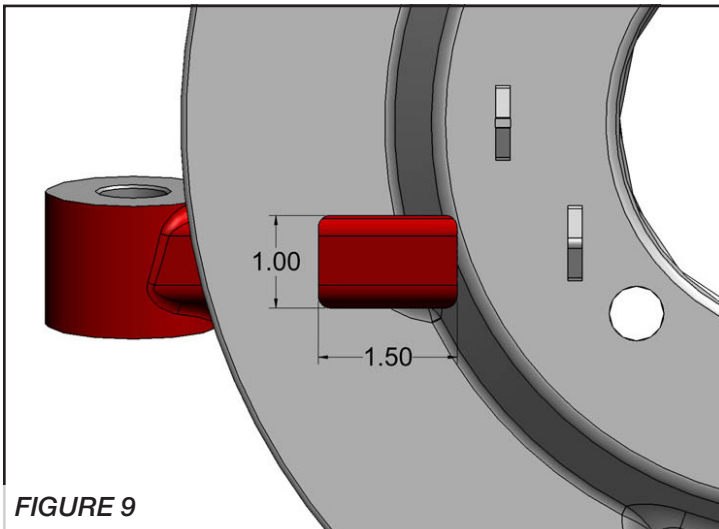


FIGURE 9

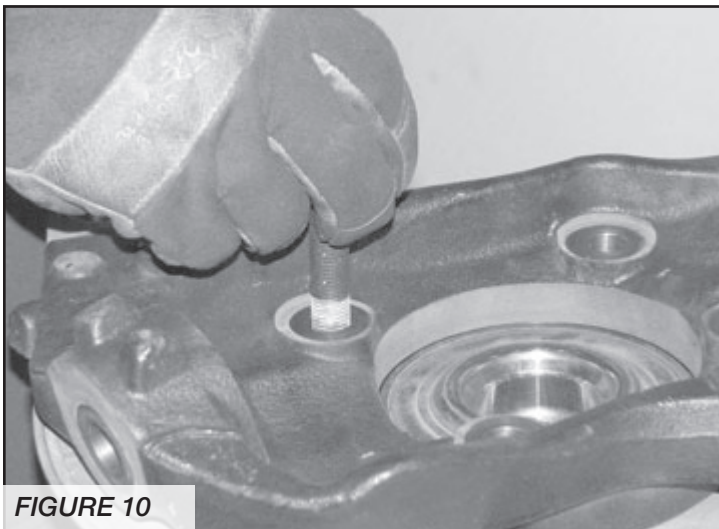


FIGURE 10

17. Install the Fabtech knuckle on to the lower ball joint. Pull the CV shaft back through the Hub and install the new Fabtech upper ball joint into the upright of the spindle. Torque the upper to 83 ft-lbs and the lower 101 ft-lbs.

18. Install the axle nut and torque to 165 ft-lbs. Replace axle nut cover. **SEE FIGURE 11**

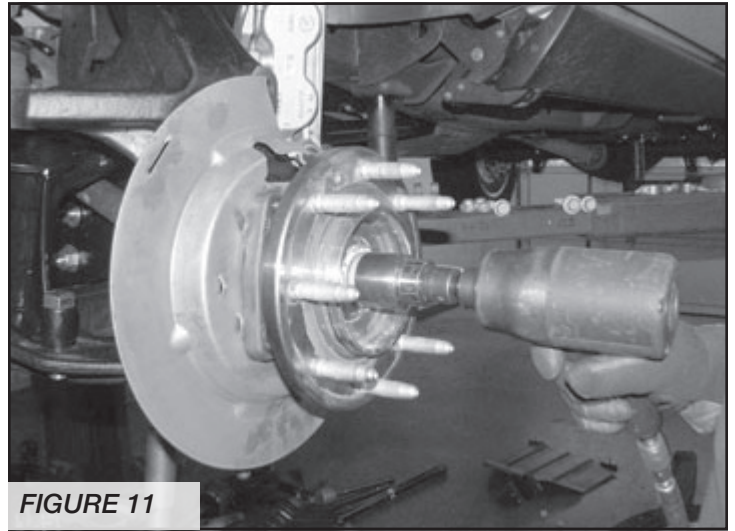


FIGURE 11

19. Install the wheel speed sensor into the factory hub. **SEE FIGURE 12**

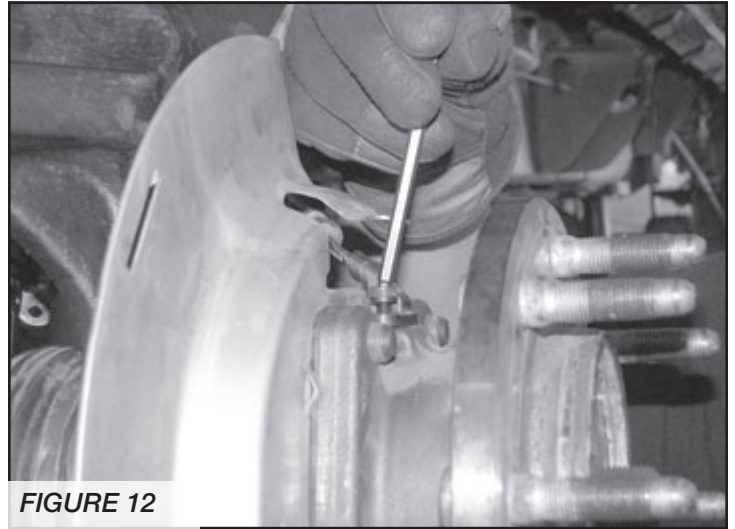


FIGURE 12

20. Install the factory tie rod end into the Fabtech spindle and torque to 120 ft-lbs.

21. Install the rotor and the small bolt retaining the rotor and torque to 12 ft-lbs. Install the caliper and torque to 220 ft-lbs. **SEE FIGURE 13**

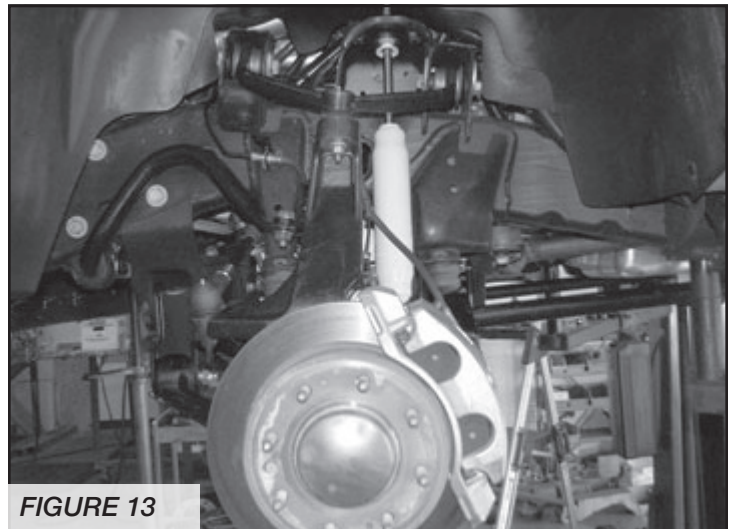


FIGURE 13

22. Locate the supplied adel clamps, ¼” lock washers and ¼”- 20 x ¾” bolts. Clamp the brake line and the wheel speed wire to the spindle as shown in the photos below.
SEE FIGURES 14-15

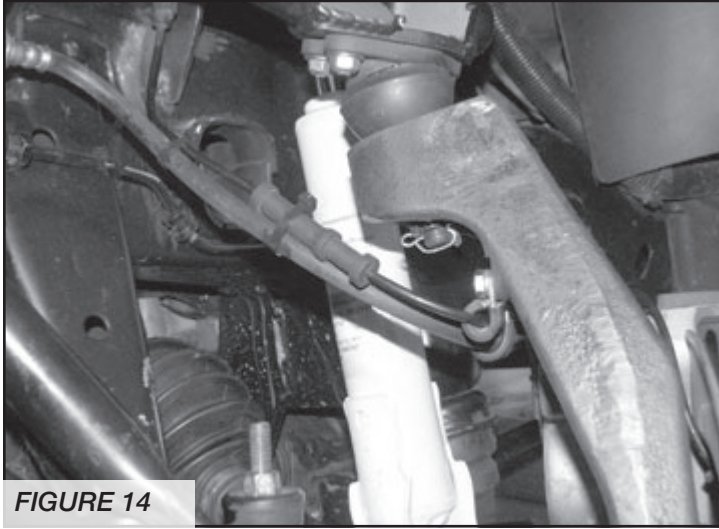


FIGURE 14

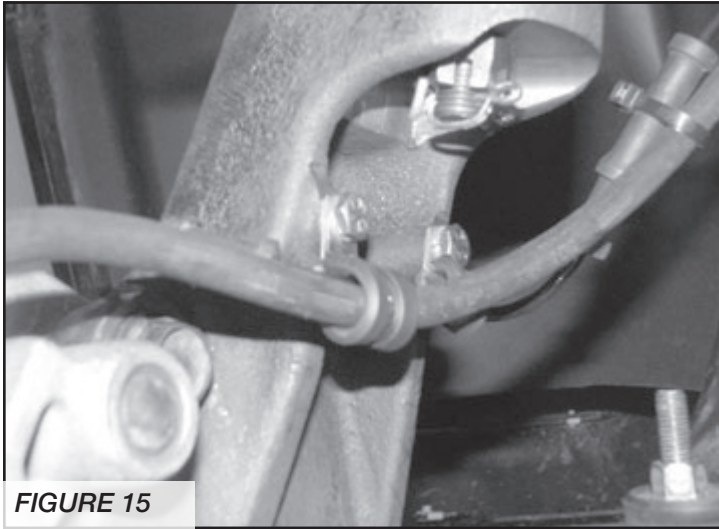


FIGURE 15

23. Repeat steps 4 – 20 on the passenger side.

24. Locate the factory driver side torsion bar, crossmember and the FT20550 torsion key. Install the torsion bars crossmember and the new Fabtech torsion key. The torsion bar key adjuster bolt should be reset to the measurement taken before the insulation. This is a temporary setting. When the Vehicle is on its own weight the measurement should 1/2” from the bottom side of the upper control arm to the droop stop. Adjust torsion bars accordingly.
25. Install front tires and wheels and torque lug nuts to wheel manufacturer’s specifications.
26. Install Fabtech rear shocks (not included). Torque bolts to 100 ft-lbs.
27. Install tires and wheels and torque lug nuts to wheel manufacturer’s specifications. Turn front tires left to right and check for appropriate tire clearance. **Note - Some oversized tires may require trimming of the front bumper & valance.**
28. Recheck all bolts for proper torque.
29. Recheck brake hoses, ABS wires and suspension parts for proper tire clearance while turning tires fully left to right.
30. Check the fluid in the front and rear differential and fill if needed with factory specification differential oil. **Note - some differentials may expel fluid after filling and driving. This can be normal in resetting the fluid level with the new position of the differential/s.**
31. Install Driver Warning Decal. Complete product registration card and mail to Fabtech in order to receive future safety and technical bulletins on this suspension.
32. Have vehicle properly aligned to factory specs. Readjust headlights.

Vehicles that will receive oversized tires should check ball joints and all steering components every 2500-5000 miles for wear and replace as required.

RE-TORQUE ALL NUTS, BOLTS AND LUGS AFTER 50 MILES AND PERIODICALLY THEREAFTER.

For technical assistance call: 909-597-7800

- Product Warranty and Warnings -

Fabtech provides a Limited Lifetime Warranty to the original retail purchaser who owns the vehicle, on which the product was originally installed, for defects in workmanship and materials.

The Limited Lifetime Warranty excludes the following Fabtech items; bushings, bump stops, ball joints, tie rod ends, limiting straps, cross shafts, heim joints and driveshafts. These parts are subject to wear and are not considered defective when worn. They are warranted for 60 days from the date of purchase for defects in workmanship.

Dirt Logic and Performance Coilover take apart shocks are considered a serviceable shock with a one year warranty on leakage only. Service seal kits are available separately for future maintenance. All other shocks are covered under our Limited Lifetime Warranty.

Fabtech does not warrant any product for finish, alterations, modifications and/or installation contrary to Fabtech's instructions. Alterations to the finish of the parts including but not limited to painting, powder coating, plating and/or welding will void all warranties. Some finish damage may occur to parts during shipping, which is considered normal and is not covered under warranty.

Fabtech products are not designed nor intended to be installed on vehicles used in race applications or for racing purposes or for similar activities. (A "RACE" is defined as any contest between two or more vehicles, or any contest of one or more vehicle against the clock, whether or not such contest is for a prize). This warranty does not include coverage for police or taxi vehicles, race vehicles, or vehicles used for government or commercial purposes. Also excluded from this warranty are sales outside of the United States of America.

Installation of most suspension products will raise the center of gravity of the vehicle and will cause the vehicle to handle differently than stock. It may increase the vehicle's susceptibility to a rollover, on road and off road, at all speeds. Extreme care should be taken to operate the vehicle safely at all times to prevent rollover or loss of control resulting in serious injury or death. Fabtech front end Desert Guards may impair the deployment or operation of vehicles equipped with supplemental restraining systems/air bag systems and should not be installed if the vehicle is equipped as so.

Fabtech makes every effort to ensure suspension product compatibility with all vehicles listed on the website, but due to unknown auto manufacturer's production changes and/or inconsistencies by the auto manufacturer, Fabtech cannot be responsible for 100% compatibility, including the fitment of tire and wheel sizes listed. The Tire and Wheel sizes listed in Fabtech's website are only a guideline for street driving with noted fender trimming. Fabtech is not responsible for damages to the vehicle's body or tires. Fabtech is not responsible for premature wear of factory components due to the installation of oversized tires and wheels.

Fabtech's obligation under this warranty is limited to the repair or replacement, at Fabtech option, of the defective product only. All costs of removal, installation or re-installation, freight charges, incidental or consequential damages are expressly excluded from this warranty. Fabtech is not responsible for damages and/or warranty of other vehicle parts related or non related to the installed Fabtech product. This warranty is expressly in lieu of all other warranties expressed or implied. This warranty shall not apply to any product that has been subject to accident, negligence, alteration, abuse or misuse as determined by Fabtech.

Fabtech suspension components must be installed as a complete system including shocks as shown on our website. All warranties will become void if Fabtech parts are combined and/or substituted with other aftermarket suspension products. Combination and/or substitution of other aftermarket suspension parts may cause premature wear and/or product failure resulting in an accident causing injury or death. Fabtech does not warrant products not manufactured by Fabtech.

Depending on the condition of the factory suspension components retained after the installation of a Fabtech suspension not all vehicles may have the same ride stance front to rear as described in the website. The blue color of suspension components shown in all Fabtech photographs are for display purposes only. Majority of all Fabtech components will be black specifically where noted with part numbers ending in BK.

Installation of Fabtech product may void the vehicles factory warranty; it is the consumer's responsibility to check with their local vehicle's dealer for warranty disposition before the installation of the product. Some state laws may prohibit modification of suspension to a vehicle in whole or in part. It is the responsibility of the installer and consumer to consult local laws prior to the installation of any Fabtech suspension product to comply with such written laws.

It is the responsibility of the distributor and/or the retailer to review all warranties and warnings of Fabtech products with the consumer prior to purchase.

Fabtech reserves the right to super cede, discontinue, change the design, finish, part number and/or application of parts when deemed necessary without written notice. Fabtech is not responsible for misprints or typographical errors within the website or price sheet. For the most recent Product Warranty and Warnings visit our website www.fabtechmotorsports.com