



INSTALLATION INSTRUCTIONS 25013

-1" to -3" Lowering Strut

300 W. Pontiac Way Clovis, CA 93612 toll free: 1-800-445-3767 web: www.belltech.com

04-18 Dodge Ram 1500 4WD

****Including 2019-2021 Classic Body Style****

Thank you for being selective enough to choose our high quality BELLTECH PRODUCT. We have spent many hours developing our line of products so that you will receive maximum performance with minimum difficulty during installation

Note: Confirm that all of the hardware listed in the parts list is in the kit. **Do not** begin installation if any part is missing. Read the instructions thoroughly before beginning this installation.

Warning: DO NOT work under a vehicle supported by only a jack. Place support stands securely under the vehicle in the manufacturer's specified locations unless otherwise instructed.

Warning: DO NOT drive vehicle until all work has been completed and checked. Torque all hardware to specified values.

Reminder: Proper use of safety equipment and eye/face/hand protection is absolutely necessary when using these tools to perform procedures!

Note: It is very helpful to have an assistant available during installation.

Note: Please refer to component and hardware list before beginning installation to insure all necessary pieces have been supplied and packaged.

Exceptional Customer Experience Guarantee:

STOP! We strive for an exceptional experience for all of our valued customers. If, for any reason, you need assistance with your Belltech products, *please do not return the products to the store or website you purchased from.* Please call our dedicated experts at (1-800-445-3767) from 7am to 5pm PST.

RECOMMENDED TOOLS:

- Properly rated floor jack and support stands
- Wheel chocks
- Torque wrench up to 200 ft/lbs range
- Standard and Metric socket wrench set
- Standard and Metric wrench set
- Tape measure
- Dead blow hammer
- Marking pen
- Safety Glasses

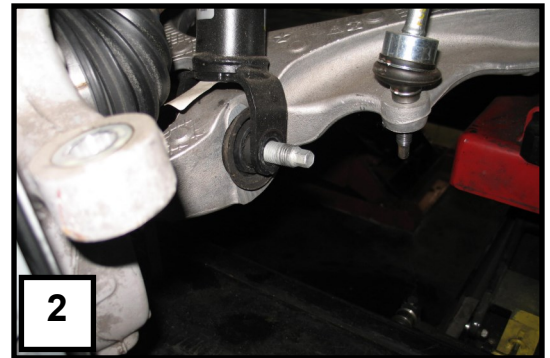
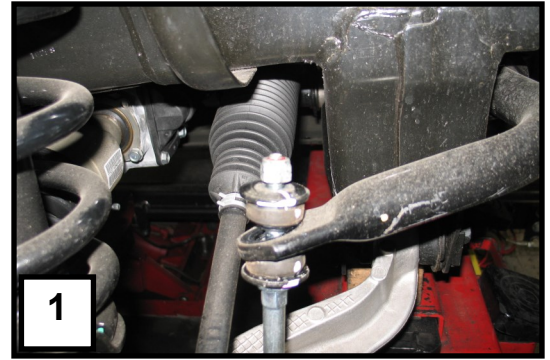
Front OEM Removal

Open the hardware kit and remove all of the contents. Refer to the parts list to verify that all parts are present. Do not begin work if parts are missing.

Park the vehicle on a smooth, level concrete or seasoned asphalt surface and activate the parking brake. Block the rear wheels of the vehicle with appropriate wheel chocks; making sure the vehicle's transmission is in 1st gear (manual) or "Park" (automatic).

Using a properly rated floor jack, lift the FRONT wheels of the vehicle off the ground. Place support stands, rated for the vehicle's weight and in the factory specified locations. Refer to the vehicle Owner's Manual. Prior to lowering the vehicle onto the stands, make sure the supports will securely contact the chassis.

1. Completely remove the sway bar end links from both sides. **(Photo 1)**
2. Remove lower bolt connecting OEM shock to the lowering control arm **(Photo 2)**
3. Mark the current position of your alignment cams. Remove the cam bolts from the bushing and frame and allow the lower control arm to swing away from mounting location. Belltech suggests using a jack or stand to hold the lower control arm in place and prevent brake line stretching or half shaft damage. **(Photo 3)**
4. Locate and remove the upper top mount nuts and remove the strut from the vehicle. **(Photo 4)**
5. Before disassembling the strut mark the position of the top mount in relationship to the lower bolt hole. **(Photo 5)**



The installation pictures shown have been done at a professional installation shop. **It is important to use a spring compressor to compress the spring before removing the top mount bolt or serious injury may occur.**

6. Mount the entire spring/strut assembly in the fixture.
7. Compress the spring until tension is almost relieved from the top mount.
8. Remove the top mount nut and top spring perch.
9. Remove the spring and strut from the fixture.

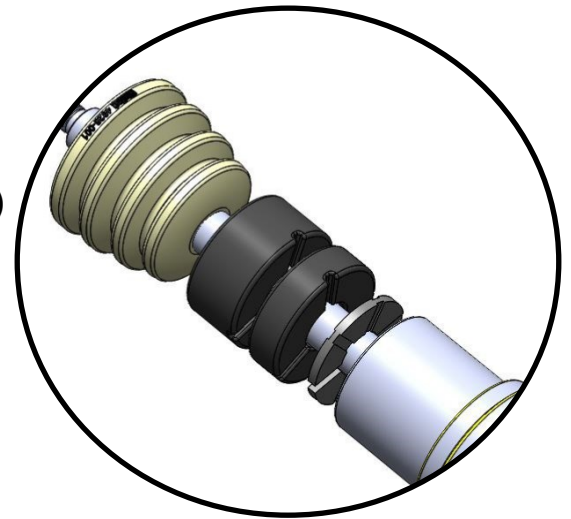


09-18 & 19-21 CLASSIC RAM 1500			
ITEM	LOWERING HEIGHT -1" (25.4mm)	LOWERING HEIGHT -2" (50.8mm)	LOWERING HEIGHT -3"(76.2mm)
25003-016 16mm Ring Spacer	2	1	0
4935-001 15mm Bump Stop Packer	1	0	0
BUMP STOP USED	BELLTECH 4926-001	BELLTECH 4926-001	OEM-FACTORY

04-08 CLASSIC RAM 1500			
ITEM	LOWERING HEIGHT -1" (25.4mm)	LOWERING HEIGHT -2" (50.8mm)	LOWERING HEIGHT -3"(76.2mm)
25003-016 16mm Ring Spacer	3	2	1
4935-001 15mm Bump Stop Packer	1	0	0
BUMP STOP USED	BELLTECH 4926-001	BELLTECH 4926-001	BELLTECH 4926-001

Strut Assembly Continued

11. Install your required spacers for the desired height onto the BELLTECH shock. See table / figure (A-1)
12. install BELLTECH spring perch onto strut once the desired combination of rings are installed.
13. insert the BELLTECH vent disc and packer (if applicable).



Note: Belltech uses “Packers” to maintain the correct bump stop engagement at various lift ranges. Using the appropriate packer will prevent excessive body roll. Please place packer on top of the vent disk, channel side down as shown.

14. Complete the assembly using the OEM spring isolator (if applicable), top mount and supplied nut.

INSTALL THE FRONT SHOCK/SPRING

15. Re-install the new assembly in reverse order of disassembly.
16. All hardware being fastened to the vehicle's original fastening points should be torqued to the factory specifications (Reference Service Manual for Specifications). To prevent chassis damage, never over-torque the hardware.
17. Check brake hoses and other components for any possible interference.
18. Lift the vehicle and remove the support stands. Carefully lower the vehicle to the ground.
19. Immediately test-drive the vehicle in a remote location so that you can become accustomed to the revised driving characteristics and handling. Be aware that the vehicle will handle substantially different now that it has been modified. Alignment will be required.
20. Installation is complete. Retorque hardware at intervals for the first 10, 100, 1000 miles.



PARTS LIST

Part Number	Description	QTY
25013-100	BELLTECH LOWERING STRUT	1
65210031	VENT DISK	1
4926-001	BELLTECH BUMP STOP	1
25003-016	16mm RING SPACER	3
4935-001	15mm BUMP STOP PACKER	2
26015-002	SPRING PERCH	1
NUT	M12 x 1.25	1