



***bajadesigns***<sup>®</sup>  
*The Scientists of Lighting*

**Dodge Ram (19-On)  
XL A-Pillar Kit  
44-8036, 44-8037, 44-8041**



185 Bosstick Boulevard • San Marcos • CA • 92069

Phone 760-560-2252 • Fax 760-560-0383

info@bajadesigns.com • [www.bajadesigns.com](http://www.bajadesigns.com)



***baja designs***<sup>®</sup>  
*The Scientists of Lighting*

## **LIMITED LIFETIME WARRANTY**

Baja Designs proudly offers a LIFETIME WARRANTY against manufacturer's defect on all the products that we manufacture.

These are comprehensive warranties; other than the exclusions below – you're covered. If your LED or HID bulb burns out, you're covered. Additionally, cutting off our connector or changing your lenses does not automatically void your warranty.

### **Exclusions:**

Installation errors, abuse, misuse or crash damage. You must be the original owner of the product and can supply proof of purchase.

Baja Designs manufactures its own products as well as resells products manufactured by others. Baja Designs makes no express or implied warranties on products not manufactured by Baja Designs including without limitation any warranties or merchantability and fitness for a purpose. We will, however, pass on all warranties made by the manufacturer, who has sole responsibility for performing such warranties.

Baja Designs will pay the freight if your product is less than 90 days old, otherwise defective products must be returned to Baja Designs, Inc., freight prepaid. At our option, we will repair or replace items in question and return them at no charge. If the identical product is no longer available, we will replace with a similar product of equal value. Baja Designs Inc. will not be responsible for any indirect or consequential damages in connection with defective merchandise.

Items purchased through a Baja Designs authorized dealer must be returned through the dealer. Only available on LED auxiliary lights and product must be in sellable condition at MSRP. Product that has been damaged in any way after the original purchase date will be excluded from this guarantee.

### **Indemnification:**

**Buyer hereby acknowledges off-roading, racing and driving at night are dangerous activities and that the products and/or supplies purchased from Baja Designs are used in an inherently dangerous activity that may endanger life and limb; and in no event shall the seller, or seller's heirs and assigns, be held liable for consequential damages, nor shall seller's liability on any claim for damages arising out of or connected with the sale, delivery, or use of purchased products and/or supplies exceed the purchase price of the products and/or supplies**

## Ram XL A-Pillar Kit

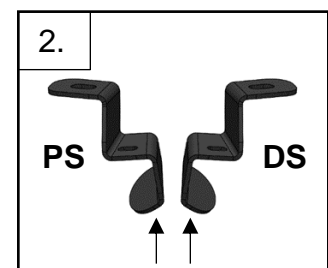
### Tools Required:

- 5mm Allen Wrench
- 9/16" Socket wrench
- 9/16" wrench
- 7/16" Socket wrench
- 7/16" wrench
- 10mm Socket wrench
- Plastic trim prybar

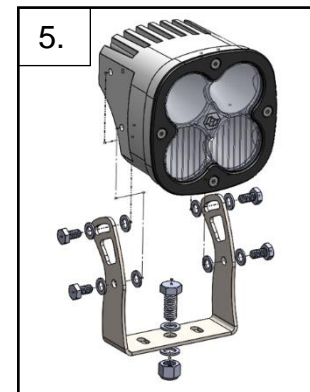
1. Open the hood. Remove the passenger side and driver side wiper cowlings by prying up the three clips on each piece with the plastic prybar.



2. Use the 10mm socket wrench to remove the arrowed bolt. Place thin rubber pad along the dotted line. Place thick rubber pads on the bottom of each bracket.



3. Use 5mm Allen wrench to tighten the bolt and washer over the bracket on the mounting location.



4. Replace the cowling covers in their respective sides by firmly pressing down over the three clip locations.

5. Assemble both XL lights with the provided hardware as shown using the 7/16" wrench and socket. Use the 9/16" wrench and socket to mount each XL light to the A-pillar brackets.

6. Route each light's power cord into the engine compartment avoiding any potential pinch points. Run the splitter across the firewall with the junction nearest the driver side.

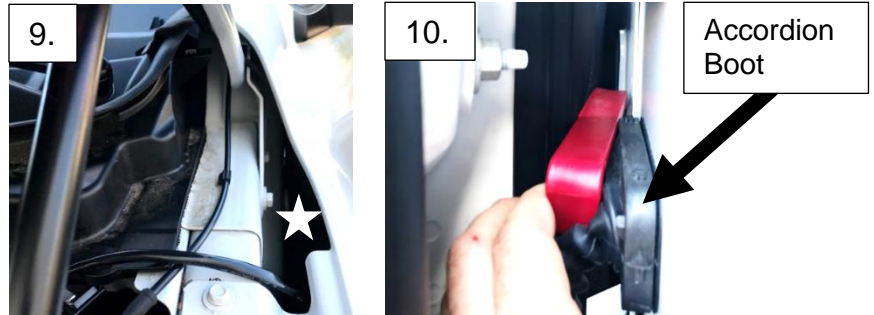


7. Attach splitter to the harness.

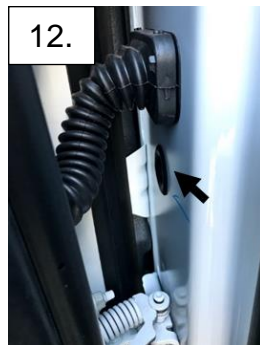
8. Attach the battery leads of the harness to the battery (starred).
9. Remove the main switch from the switch leads. Route the switch leads into the driver side inner fender shown by the star in the image. Excess harness length can be tied up and placed into the inner fender after installation.



10. Open the driver side door and observe the gap. Gently pry back the inner fender foam seal and route the switch leads through.
11. Unclip the flap next to the parking brake pedal. Carefully pry the six lower door sill trim clips. (Trim is shown removed for detail)



12. Remove the arrowed rubber grommet. Puncture the grommet, re-mount, and run the switch wires through the grommet into the cab. Install flap and door trim.
13. Mount switch and reattach wires. Tie all wires away from any hot and/or rotating components.



Re-torque all the fasteners after 100 miles.

Your install is now complete! Thank you for choosing Baja Designs.

