



44-8061, 44-8062 21-On Ford Raptor Squadron, Behind Grill Kit



2950 Norman Strasse Rd • San Marcos • CA • 92069

Phone 760-560-2252 • Fax 760-560-0383

info@bajadesigns.com • www.bajadesigns.com



baja designs[®]
The Scientists of Lighting

LIMITED LIFETIME WARRANTY

Baja Designs proudly offers a LIFETIME WARRANTY against manufacturer's defect on all the products that we manufacture.

These are comprehensive warranties; other than the exclusions below – you're covered. If your LED or HID bulb burns out, you're covered. Additionally, cutting off our connector or changing your lenses does not automatically void your warranty.

Exclusions:

Installation errors, abuse, misuse or crash damage. You must be the original owner of the product and can supply proof of purchase.

Baja Designs manufactures its own products as well as resells products manufactured by others. Baja Designs makes no express or implied warranties on products not manufactured by Baja Designs including without limitation any warranties or merchantability and fitness for a purpose. We will, however, pass on all warranties made by the manufacturer, who has sole responsibility for performing such warranties.

Baja Designs will pay the freight if your product is less than 90 days old, otherwise defective products must be returned to Baja Designs, Inc., freight prepaid. At our option, we will repair or replace items in question and return them at no charge. If the identical product is no longer available, we will replace with a similar product of equal value. Baja Designs Inc. will not be responsible for any indirect or consequential damages in connection with defective merchandise.

Items purchased through a Baja Designs authorized dealer must be returned through the dealer. Only available on LED auxiliary lights and product must be in sellable condition at MSRP. Product that has been damaged in any way after the original purchase date will be excluded from this guarantee.

Indemnification:

Buyer hereby acknowledges off-roading, racing and driving at night are dangerous activities and that the products and/or supplies purchased from Baja Designs are used in an inherently dangerous activity that may endanger life and limb; and in no event shall the seller, or seller's heirs and assigns, be held liable for consequential damages, nor shall seller's liability on any claim for damages arising out of or connected with the sale, delivery, or use of purchased products and/or supplies exceed the purchase price of the products and/or supplies.

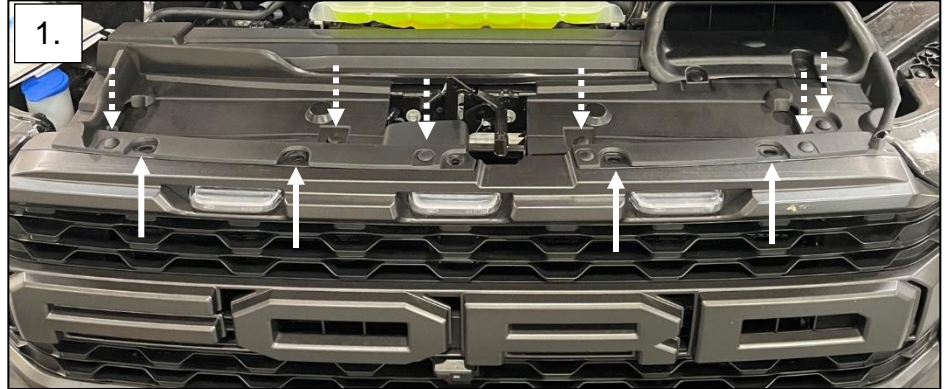
Buyer is responsible for ensuring that it uses the products (and its vehicle) in accordance with all applicable laws, regulations, guidelines, and standards of care. Buyer acknowledges that some products may only be used when off-roading, and Buyer will comply with all vehicle and road safety guidelines. Buyer is solely responsible for (and will indemnify and hold Bestop harmless for) any claims, losses, damages, fines, fees, costs, or other amounts arising out of Buyer's non-compliance with these provisions.

Tools Required

- * Trim Removal Tool
- * 7mm, 10mm, 12mm, 7/16", 9/16" socket
- * 7/16", 9/16" wrench

* 4mm, 5mm Hex Key

1. Using a trim removal tool of a flat head screwdriver, remove the 5x Retainer clips securing the top of the grille (↗). Use the same tool to then remove 8x plastic rivet push clips securing the top of rubber radiator shroud (↖). The whole shroud does not need to be removed as it can be folded out of the way for disassembly.

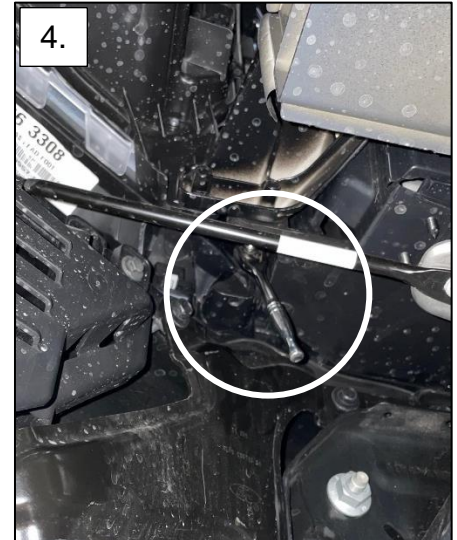
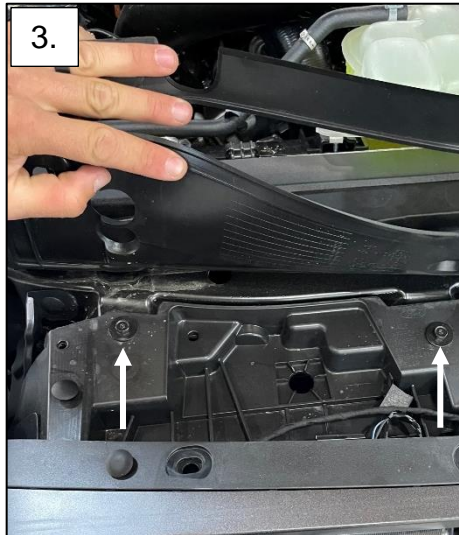


2. Fold up the rubber radiator shroud and disconnect all the electrical for the front grille. There will be a total of 4 connectors (↗) and 2 plastic rivet push clips (↖).



3. Fold up the rubber radiator shroud and remove the 4x bolts securing the top of the front grille using a 10mm. There will be 2 on each side.

4. Located underneath the vehicle, will be the lower fastener for the front grille. It is not visible and will need to be removed blind. In the image shown, you can see the ratchet wrench in location to remove the bolt. Use a 10mm socket, remove the fastener, one located on each side.



5. Using a 7mm socket, remove the 2x fasteners securing the fender flare. Repeat process on opposite side.

6. Pull on the fender flare next to the running light to release the 2x white plastic self retaining clips. Repeat process on opposite side.

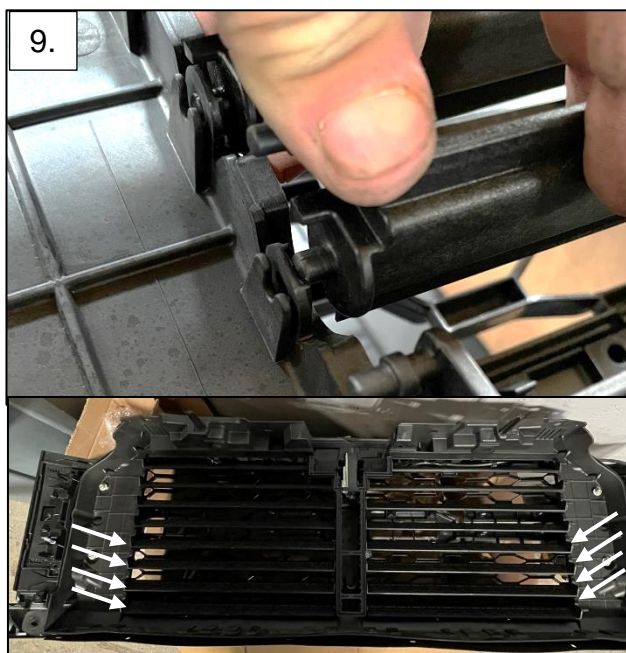


7. Pull on the front grille facia to remove from the front fender. Repeat process on both sides.

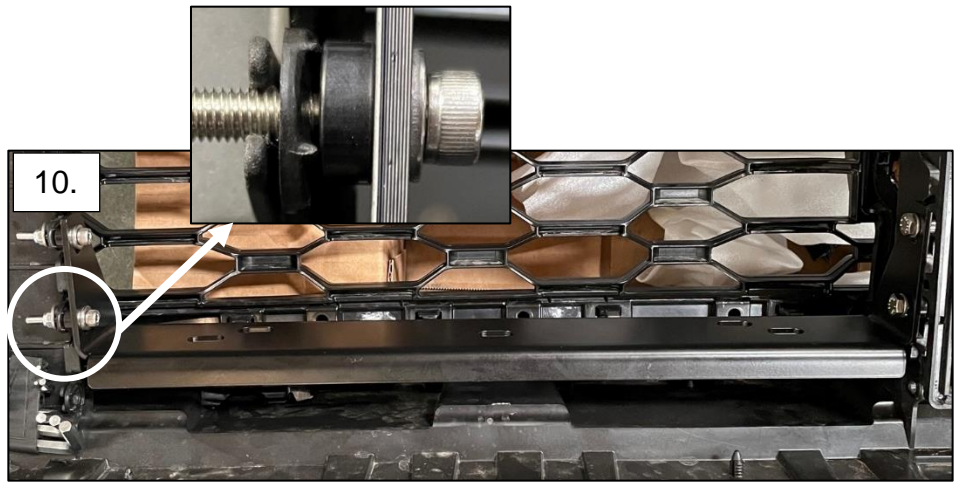
8. Pull on the front grille to remove the self-retaining clips. The best locations to hold on to are the F & D from the FORD lettering. Once the clips are released, remove the grille, and set onto a soft surface face down.



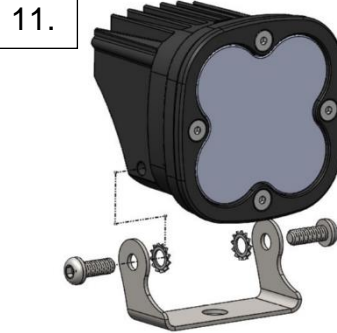
9. Using a flat head screwdriver remove the 4x lower plastic shutters by bending the plastic tab away from the shutter releasing the pivot pin. They will need to be removed on each side.



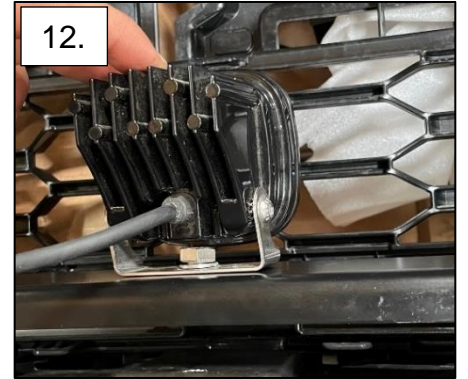
10. Install the bracket into the location where the shutters existed. Use the 2nd and 3rd mounting hole from the bottom. Apply the .25" hardware in the mount facing the center of the vehicle and 5mm hardware, into the mount facing the outside of the vehicle. Ensure you use the supplied plastic spacer in between the bracket and shutter mount. The 5mm hardware will need to be threaded past the shutter support tab. This will not hurt the functionality of the shutters and can be returned to stock.



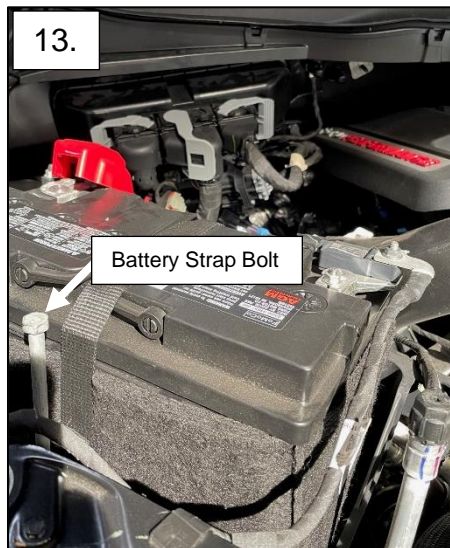
11. Using a 4mm hex key, attach the bracket to the squadron. Use the serrated washers in between the bracket and light to eliminate any unwanted rotation.



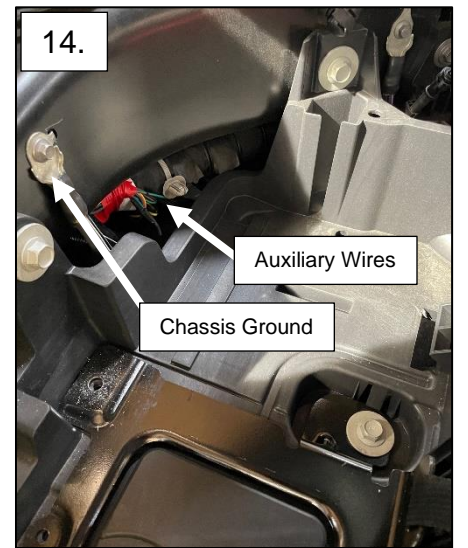
12. Using a 9/16" wrench and socket, torque the light to the bracket. See step 7 for visual representation of the light set-up with the corresponding light patterns.



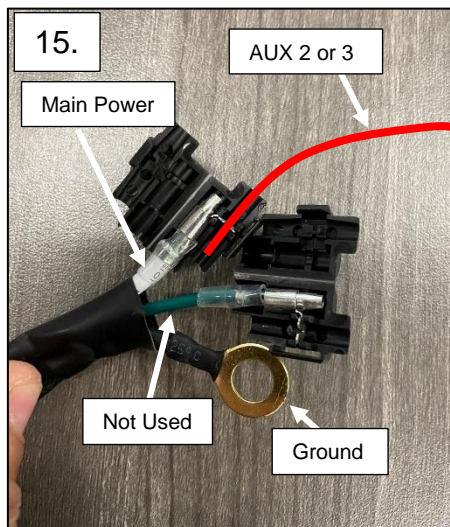
13. Using a 12mm socket, remove the battery strap. Using a 10mm socket, remove the battery terminals starting with the ground (black) terminal.



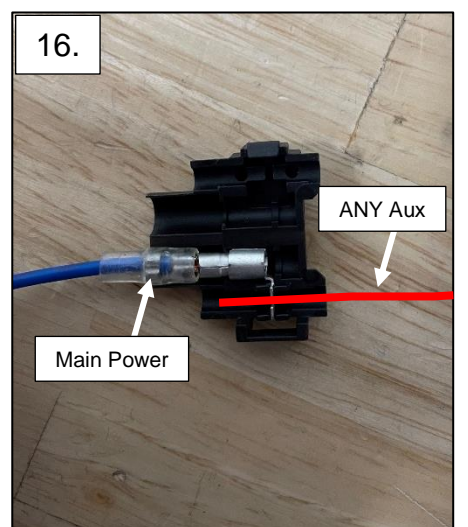
14. Once the battery is removed, locate the auxiliary wires underneath the engine bay sheet metal on the passenger side. Take the supplied wiring harness and place the 3/8" ring terminal on the black wire onto the chassis ground directly above the auxiliary wires.



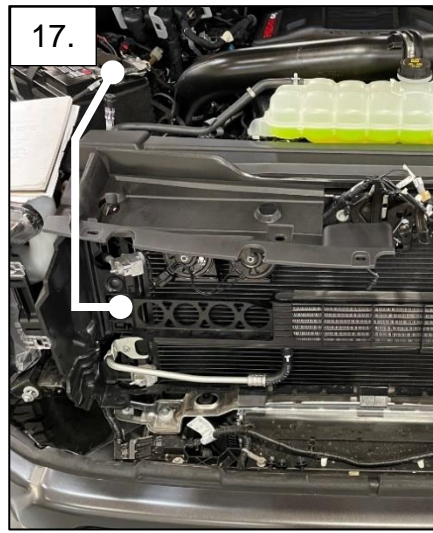
15. **Squadron Sport Kit:** Separate the auxiliary wires. Use either auxiliary wire 2 (Green/Brown) or 3 (Green/Blue) for the main power (White Wire). Take the clasp connector on the up-fitter harness and close over the desired wire using pliers.



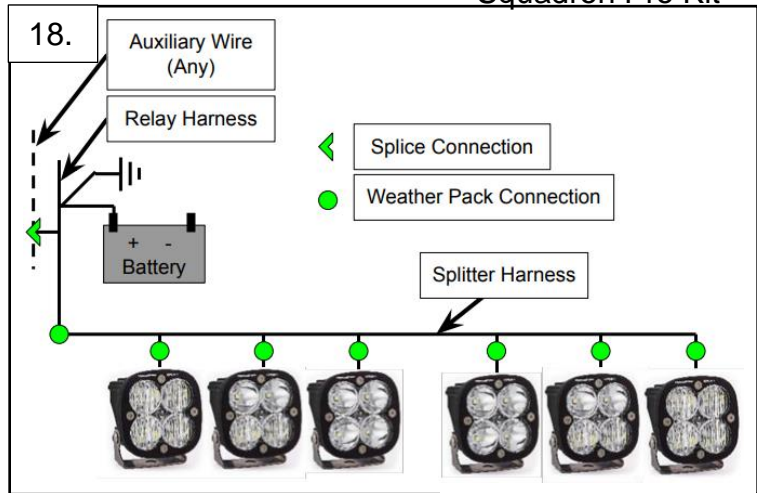
16. **Squadron Pro Kit:** Use any auxiliary wire for the main power. Place the splice connector on the wiring harness over the desired wire, use a pair of pliers to force shut over the wire.



17. Re-mount the battery. If you have the squadron pro kit, place the ring terminal on the red wire to the positive (red) terminal on the battery. Route the harness from the battery to the backside of the grille opening.

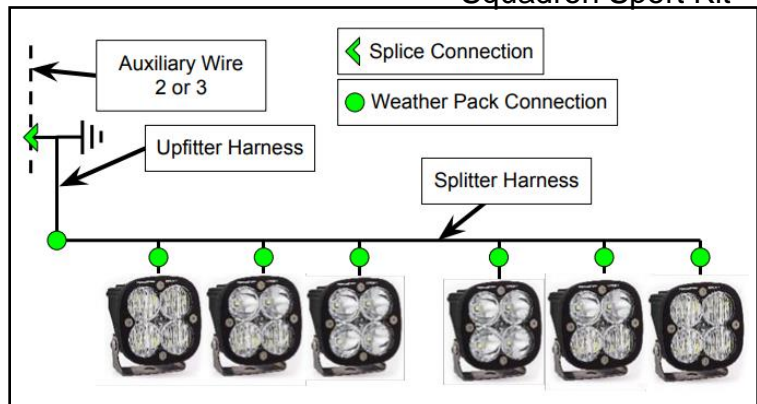


Squadron Pro Kit



18. Place the large splitter harness to the lights with the main connector facing the passenger side of the vehicle. Plug in the Up-fitter or relay wiring harness to the splitter harness. Mount the grille when connected. Test lights before installing the grille hardware. If there is any confusion, use the diagrams on the right to show the difference in wiring between the Squadron Pro & Sport

Squadron Sport Kit



19. Once the lights are wired correctly, finish re-installing all the components taken apart. If you have the squadron sport kit, the job is done. If you have the squadron pro kit, use the body fastener in front of the battery to mount the relay. Using a 10mm socket, remove the fastener, install the relay and torque down.

*Tie all wires away from sharp, hot, and/or rotating components.

* Re-torque all the fasteners after 100 miles.

*Your install is now complete! Thank you for choosing Baja Designs.



	Lighting Specs		
	Lumens	Wattage	Amps
Squadron Sport	18,9000	156	12.0
Squadron Pro	27,600	240	17.4

