



Drop Hitch User Guide



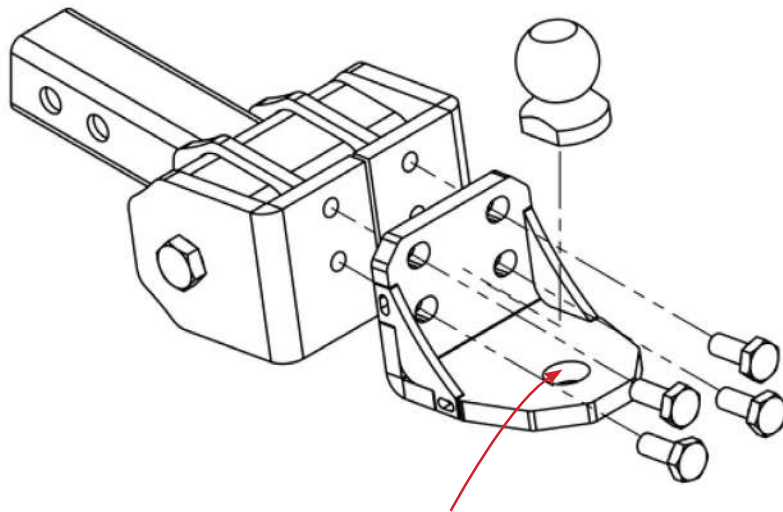


Torsion Hitch USERS GUIDE

This product is protected by Patent # US9505281B1, USD773345S1, USD9868327B1



SCAN ME!



1" Hole for Ball

Bolt Specs: $\frac{1}{2}$ " - 20 x 1" UNF Grade 8 Bolts

Torque Specs: 110 ft.

**THIS PRODUCT IS NOT RECOMMENDED
TO BE USED IN THE RISE POSITION.**

AVERAGE BREAK-IN PERIOD: 500 MILES.
* GEN-Y Hitch shall NOT be held responsible for any or all "compatible parts or products" being used or being utilized for towing with or around GEN-Y Hitch.

* GEN-Y Hitch products shall never be altered in any circumstances or for any reason and will void any warranties if done so.