

GMC Acadia instructions (preliminary)

1. Jack up truck safely with a 2 post or jack stands
2. Remove wheels
3. Remove axle nut
4. Remove cowl at windshield to get access to upper strut nuts
5. Remove sway bar at strut
6. Remove upper strut nuts
7. Remove lower strut nuts
8. Remove strut from vehicle
9. Mark studs 20 mm up from strut mount, cut them off. They will hit the Traxda part if you don't cut them
10. Install Traxda part with supplied nuts
11. Reverse the process, install strut back into vehicle
12. Reinstall upper strut nuts
13. Reattach sway bar link to strut
14. Reinstall axle nut



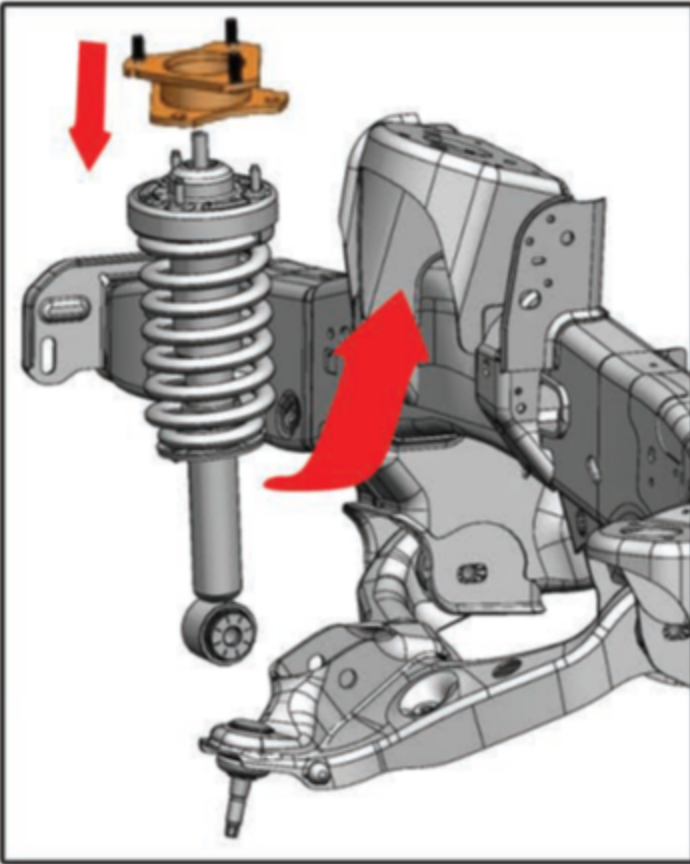


Figure A: Illustration is for reference only. Part dimensions will vary from kit to kit.

REAR

1. Remove sway bar link nut at suspension arm
2. Remove outer lower control arm bolt
3. Loosen inner control arm bolts but do not remove.
4. Lower arm down and remove spring

5. Place Traxda spacer on top spring isolator\
6. Use jack to put control arm back into position
7. Reinstall outer lower control arm bolt
8. Reinstall sway bar nut
9. Re-tighten inner control arm bolts WHEN VEHICLE IS ON THE GROUND Align to stock specs

Rear spacer



