



SUPERLIFT®

S U S P E N S I O N

SUPERLIFT® 4" Lift Kit for 2014 RAM 2500 / 3500 INSTALLATION INSTRUCTIONS

INTRODUCTION

Installation requires a professional mechanic. The overall vehicle must be in excellent working condition; repair or replace all worn parts.

Read instructions several times before starting. Be sure you have all needed parts and know where they install. Read each step completely as you go.

NOTES:

- Prior to beginning the installation, check all parts and hardware in the box with the parts list below. If you find a packaging error, contact Superlift® directly. Do not contact the dealer where the system was originally purchased. You will need the control number from each box when calling; this number is located at the bottom of the part number label and to the right of the bar code.
- Front end alignment is necessary.
- An arrow on diagrams indicates which direction is toward the front of the vehicle.
- A foot-pound torque reading is given in parenthesis () after each appropriate fastener.
- Do not fabricate any components to gain additional suspension height.
- Prior to drilling or cutting, check behind the surface being worked on for any wires, lines, or hoses that could be damaged.
- After drilling, file smooth any burrs and sharp edges.
- Prior to attaching components, be sure all mating surfaces are free of grit, grease, excessive undercoating, etc.
- A factory service manual should be on hand for reference.
- Use the check-off box "☐" found at each step to help you keep your place. Two "☐☐" denotes that one check-off box is for the driver side and one is for the passenger side. Unless otherwise noted, always start with the driver side.

PARTS LIST ... The part number is stamped into each part or printed on an adhesive label. Identify each part and place the appropriate mounting hardware with it.

K KIT BREAKDOWN					
Kit Part Number K973			Kit Part Number K146		
Part Number	Qty.	Description	Part Number	Qty.	Description
240	1	coil springs, front	240	1	coil springs, front
241	1	coil springs, rear	4690	1	brackets, front w/Superide shocks
4688	1	brackets, front w/Superide shocks	4693	1	brackets, rear w/Superide shocks
OR			OR		
Kit Part Number K973B			Kit Part Number K146B		
Part Number	Qty.	Description	Part Number	Qty.	Description
240	1	coil springs, front	240	1	coil springs, front
241	1	coil springs, rear	4690B	1	brackets, front w/Bilstein shocks
4688B	1	brackets, front w/Bilstein shocks	4693B	1	brackets, rear w/Bilstein shocks

KIT BREAKDOWN					
Kit Part Number 4688 2500 RAM			Kit Part Number 240		
Part Number	Qty.	Description	Part Number	Qty.	Description
01-4012	1	pitman arm	01-240	2	coil spring, front
01-4620	2	polyurethane bump stop, front	Kit Part Number 241 2500 RAM		
55-01-4683	1	track bar bracket, front			
55-03-4683	2	radius arm drop bracket, front	Part Number	Qty.	Description
01-88510	2	shock, front	01-241	2	coil spring, rear
01-88520	2	shock, rear	Kit Part Number 4690 3500 RAM		
55-12-4683	1	sway bar drop bracket, front passenger			
55-13-4683	1	sway bar drop bracket, front driver	Part Number	Qty.	Description
55-23-4683	1	brake line bracket, front driver	01-4012	1	pitman arm
55-24-4683	1	brake line bracket, front passenger	01-4620	2	polyurethane bump stop, front
55-06-4683	1	brakeline bracket, rear	55-01-4683	1	track bar bracket, front
55-09-4683	2	bump stop bracket, rear	55-03-4683	2	radius arm drop bracket, front
55-10-4683	2	sway bar bracket, rear	01-88510	2	shock, front
55-17-4683	1	track bar bracket, rear	55-12-4683	1	sway bar drop bracket, front passenger
77-4688A	1	hardware bag, front	55-13-4683	1	sway bar drop bracket, front driver
77-4688B	1	hardware bag, rear	55-23-4683	1	brake line bracket, front driver
77-4683C	1	hardware bag, front sl	55-24-4683	1	brake line bracket, front passenger
77-4684D	1	hardware bag, shocks	77-4688A	1	hardware bag, front
Kit Part Number 4688 2500 RAM			77-4683C	1	hardware bag, front sl
			Part Number	Qty.	Description
01-4012	1	pitman arm	Kit Part Number 4693 3500 RAM		
01-4620	2	polyurethane bump stop, front			
55-01-4683	1	track bar bracket, front	Part Number	Qty.	Description
55-03-4683	2	radius arm drop bracket, front	023	2	2" blocks, rear
BE5-6646-H5	4	shock, front and rear	10992	4	9/16" x 4-1/8" x 13-1/4" ubolt
55-12-4683	1	sway bar drop bracket, front passenger	01-85150	2	shock, rear Superide
55-13-4683	1	sway bar drop bracket, front driver	77-80033	1	hardware bag, shocks
55-23-4683	1	brake line bracket, front driver	77-1509	1	hardware bag, ubolt
55-24-4683	1	brake line bracket, front passenger	OR		
55-06-4683	1	brakeline bracket, rear	Kit Part Number 4693B 3500 RAM		
55-09-4683	2	bump stop bracket, rear			
55-10-4683	2	sway bar bracket, rear	Part Number	Qty.	Description
55-17-4683	1	track bar bracket, rear	023	2	2" blocks, rear
77-4688A	1	hardware bag, front	10992	4	9/16" x 4-1/8" x 13-1/4" ubolt
77-4688B	1	hardware bag, rear	BE5-6249-H5	2	shock, rear Bilstein
77-4683C	1	hardware bag, front sl	77-1509	1	hardware bag, ubolt
77-4684D	1	hardware bag, shocks			

HARDWARE BREAKDOWN					
Kit Part Number 77-4688A			Kit Part Number 77-4688C		
Part Number	Qty.	Description	Part Number	Qty.	Description
12SW	7	1/2" SAE washer	08-4683	2	rear track bar sleeve
12C8SN	1	1/2" stover nut	55-11-4683	2	radius arm tab nut
12X114C5CS	2	1/2" x 1-1/4" coarse thread bolt	55-20-4683	1	step washer
12X134C5CS	3	1/2" x 1-3/4" coarse thread bolt	55-12-4540	1	rear track bar tab nut
12X1C5CS	1	1/2" x 1" coarse thread bolt	Kit Part Number 77-80026		
12CSNN	3	1/2" Nyloc nut			
18MFW	6	18mm flat washer	Part Number	Qty.	Description
18MLN	3	18mm stover nut	02-2210	1	shock eye sleeve
18MX2.5X130CS	2	18mm x 130mm bolt	142731	1	shock stem bushing and washer pack
18MX2.5X80CS	1	18mm x 80mm bolt	01-60419	1	shock eye bushing
716CSNN	4	7/16" Nyloc nut	Kit Part Number 77-4684D		
716SW	4	7/16" SAE washer			
716X114C5CS	4	7/16" x 1-1/4" coarse thread bolt	Part Number	Qty.	Description
Kit Part Number 77-4688B			02-2210	4	shock eye sleeve
			Part Number	Qty.	Description
12SW	1	1/2" SAE washer	142731	4	shock stem bushing and washer pack
12X114C5CS	1	1/2" x 1-1/4" coarse thread bolt	01-60419	4	shock eye bushing
14MFW	2	14mm flat washer	Kit Part Number 77-80033		
14MLN	1	14mm stover nut			
14MX2X110CS	1	14mm x 110mm bolt	Part Number	Qty.	Description
38CSNN	6	3/8" Nyloc nut	01-60418	4	0.75" ID x 1.44" L bushing
38SW	10	3/8" SAE washer	34SW	4	0.75" sae washer
38X1C5CS	6	3/8" x 1" coarse thread bolt	39-3480	4	0.75" OD x 0.5625" ID x 1.68" L
516CSNN	2	5/16" Nyloc nut	Kit Part Number 77-1509		
516SW	4	5/16" SAE washer			
516X34C5CS	2	5/16" x 3/4" coarse thread bolt	Part Number	Qty.	Description
716CSNN	2	7/16" Nyloc nut	1511-809	8	9/16" hi-nut
716SW	3	7/16" SAE washer	916CW	8	9/16" washer
716C8SN	1	7/16" stover nut			
716X1C5CS	2	7/16" x 1" coarse thread bolt			
716X4C5CS	1	7/16" x 4" coarse thread bolt			

RAM 2500 MODELS

Step	Part Number	Qty. per Kit	Description	Qty. per Bracket	New Attaching Hardware	Hardware Bag Number
5	55-01-4683	1	track bar bracket, front	1	55-20-4683 step washer	77-4688C
				1	18mm x 80mm bolt	77-4688A
				2	18mm flat washer	
				1	18mm stover nut	
				1	1/2" x 1-3/4" coarse thread bolt	
				1	1/2" stover nut	
				1	1/2" SAE washer	
6	55-03-4683	2	radius arm drop bracket, front	1	55-11-4683 tab nut	77-4688C
				1	1/2" x 1-1/4" coarse thread bolt	77-4688A
				1	1/2" SAE washer	
				1	18mm x 130mm bolt	
				2	18mm flat washer	
				1	18mm stover nut	
7	01-4620	2	polyurethane bump stop, front			
10	01-4012	1	pitman arm			
8	01-88510	2	shock cylinder, front	1	shock eye sleeve	77-4684D
				1	shock eye bushing	
				1	shock stem bushing and washer pack	
9	01-240	2	coil spring, front			
10	55-12-4683	1	sway bar drop bracket, front passenger	2	7/16" x 1-1/4" coarse thread bolt	77-4688A
				2	7/16" SAE washer	
				2	7/16" Nyloc nut	
10	55-13-4683	1	sway bar drop bracket, front driver	2	7/16" x 1-1/4" coarse thread bolt	77-4688A
				2	7/16" SAE washer	
				2	7/16" Nyloc nut	
11	55-23-4683	1	brake line bracket, front driver	1	1/4" x 3/4" coarse thread bolt	77-4688A
				1	1/4" SAE washer	
				1	1/4" Nyloc nut	
11	55-24-4683	1	brake line bracket, front passenger	1	1/4" x 1" coarse thread bolt	77-4688A
				1	1/4" x 3/4" coarse thread bolt	
				2	1/4" SAE washer	
				2	1/4" Nyloc nut	
19	01-241	2	coil spring, rear			
20	55-10-4683	2	sway bar bracket, rear	1	3/8" x 1" coarse thread bolt	77-4688B
				1	3/8" SAE washer	
				1	3/8" Nyloc nut	
				1	7/16" x 1" coarse thread bolt	
				1	7/16" SAE washer	
				1	7/16" Nyloc nut	
21	01-88520	2	shock cylinder, rear	1	shock eye sleeve	77-4684D
				1	shock eye bushing	
				1	shock stem bushing and washer pack	
22	55-09-4683	2	bump stop bracket, rear	2	3/8" x 1" coarse thread bolt	77-4688B
				4	3/8" SAE washer	
				2	3/8" Nyloc nut	
23	55-17-4683	1	track bar bracket, rear	2	08-4683 sleeve	77-4688C
				1	55-12-4540 tab nut	
				1	14mm x 110mm bolt	77-4688B
				2	14mm flat washer	
				1	14mm stover nut	
				1	1/2" x 1-1/4" coarse thread bolt	
				1	1/2" SAE washer	
				1	7/16" x 4" coarse thread bolt	
				1	7/16" SAE washer	
				1	7/16" stover nut	
24	55-06-4683	1	brakeline bracket, rear	2	5/16" x 3/4" coarse thread bolt	77-4688B
				4	5/16" SAE washer	
				2	5/16" Nyloc nut	

RAM 3500 MODELS

Step	Part Number	Qty. per Kit	Description	Qty. per Bracket	New Attaching Hardware	Hardware Bag Number
5	55-01-4683	1	track bar bracket, front	1	55-20-4683 step washer	77-4688C
				1	18mm x 80mm bolt	77-4688A
				2	18mm flat washer	
				1	18mm stover nut	
				1	1/2" x 1-3/4" coarse thread bolt	
				1	1/2" stover nut	
				1	1/2" SAE washer	
6	55-03-4683	2	radius arm drop bracket, front	1	55-11-4683 tab nut	77-4688C
				1	1/2" x 1-1/4" coarse thread bolt	77-4688A
				1	1/2" SAE washer	
				1	18mm x 130mm bolt	
				2	18mm flat washer	
				1	18mm stover nut	
7	01-4620	2	polyurethane bump stop, front			
10	01-4012	1	pitman arm			
8	01-88510	2	shock cylinder, front	1	shock eye sleeve	77-4684D
				1	shock eye bushing	
				1	shock stem bushing and washer pack	
9	01-240	2	coil spring, front			
10	55-12-4683	1	sway bar drop bracket, front passenger	2	7/16" x 1-1/4" coarse thread bolt	77-4688A
				2	7/16" SAE washer	
				2	7/16" Nyloc nut	
10	55-13-4683	1	sway bar drop bracket, front driver	2	7/16" x 1-1/4" coarse thread bolt	77-4688A
				2	7/16" SAE washer	
				2	7/16" Nyloc nut	
11	55-23-4683	1	brake line bracket, front driver	1	1/4" x 3/4" coarse thread bolt	77-4688A
				1	1/4" SAE washer	
				1	1/4" Nyloc nut	
11	55-24-4683	1	brake line bracket, front passenger	1	1/4" x 1" coarse thread bolt	77-4688A
				1	1/4" x 3/4" coarse thread bolt	
				2	1/4" SAE washer	
				2	1/4" Nyloc nut	
31	023	2	2" lift block, rear	2	10992 - 9/16" x 4-1/8" x 13-1/4" ubolt	77-1509
				4	9/16" ubolt washer	
				4	9/16" Nyloc nut	
32	01-85150 or BE5-6249-H5	2	shock cylinder, rear Superide	2	shock eye sleeve	77-80033
				2	shock eye bushing	
				2	3/4" washer	

TOOLS REQUIRED:			
Ratchets	3/8" drive		Standard Wrenches
	1/2" drive		7/16"
			1/2"
			9/16"
Metric Sockets	3/8" drive	13mm	5/8"
		10mm	7/8"
		15mm	15/16"
	1/2" drive	18mm	1-3/8"
		21mm	1-5/8"
		27mm	
		30mm	Metric Wrenches
			18mm
			21mm
Standard Sockets	3/8" drive	1/2"	
		9/16"	Allen Wrenches
		5/8"	6mm
		13/16"	
	1/2" drive	3/4"	Drill
		1-1/16"	
		1-13/16"	Drill Bit
			3/8"
			7/16"
			1/2"
			Breaker Bar
			1/2"

FRONT DISASSEMBLY

NOTE: Save all factory components and hardware for reuse, unless noted.

1) PREPARE VEHICLE...

Place vehicle in neutral. Raise front of vehicle with a jack and secure a jack stand beneath each frame rail, behind the front radius arms. Ease the frame down onto the stands, place transmission in low gear or "park", and chock rear tires. Remove front tires.

2) ANTI-SWAY BAR BODY, TRACK BAR, DRAG LINK and PITMAN ARM...

Disconnect the anti-sway bar body from the frame and axle.

Disconnect the track bar from the frame and loosen at the axle.

Disconnect the drag link at the pitman arm.

Note the orientation of the pitman arm in relation to the steering sector, then remove the nut securing the pitman arm to the steering sector shaft. Using the appropriate puller tool, detach the pitman arm from the sector shaft.

3) BRAKE LINE BRACKET, DRIVESHAFT and SHOCK ABSORBERS...

Remove the brake line bracket from its attachment point on the frame

Disconnect the driveshaft at the axle.

Remove the shock absorbers and discard.

4) VENT HOSE and COIL SPRINGS....

Disconnect the vent hose from the frame.

Lower the axle with a jack and remove the factory coil springs. Push down the alignment pin on the spring isolator and remove. Discard coil springs

FRONT ASSEMBLY

5) TRACK BAR BRACKET...

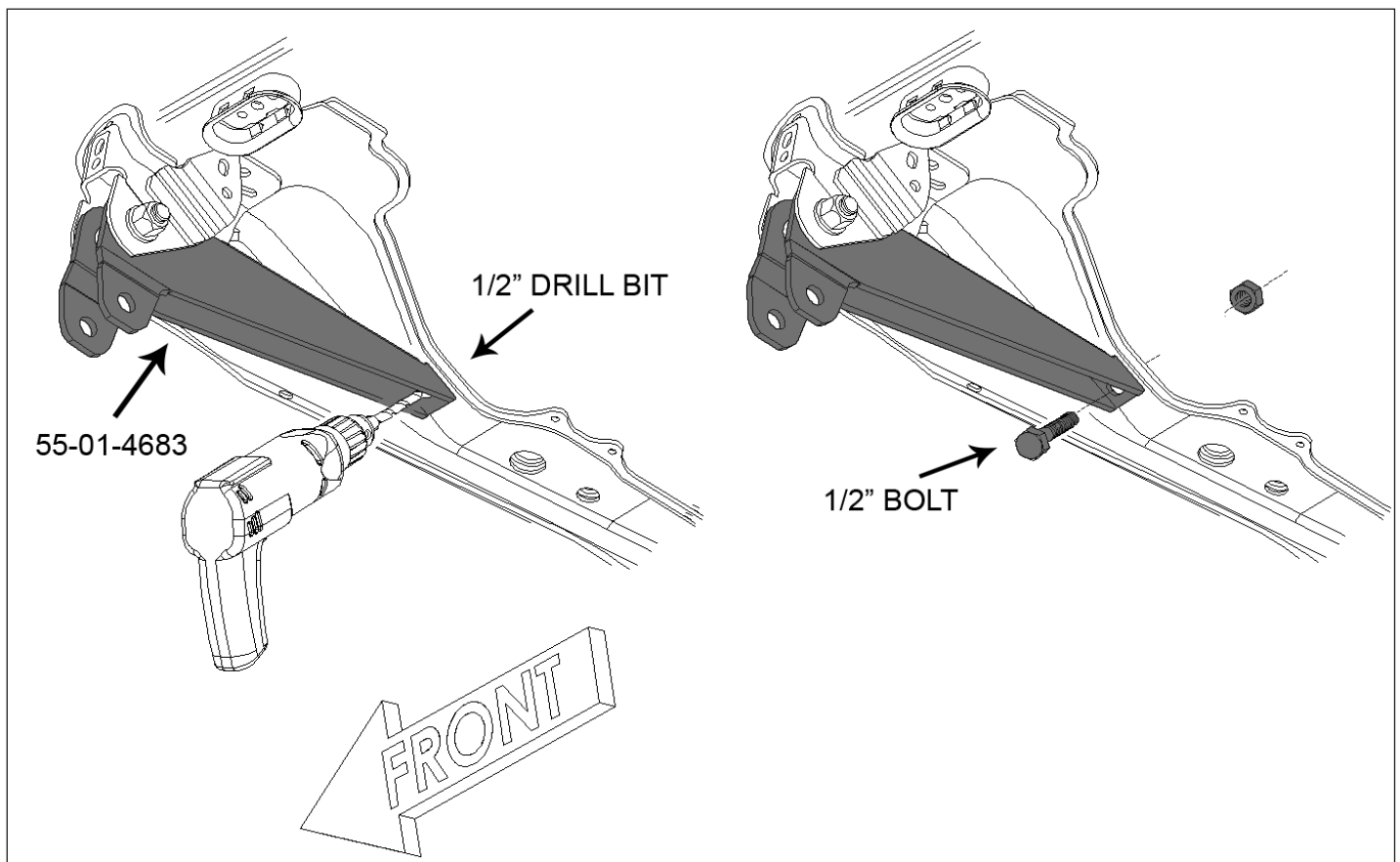
[Illustration 1] Position the new track bar bracket (55-01-4683) inside the factory bracket. Holding the new bracket tightly against the frame crossmember, insert the factory bolt and hardware. Tighten (170).

Using the new bracket as a guide, drill a 1/2" hole through the frame crossmember. **Extra care must be taken to not drill into the oil pan. Place a block of wood or steel plate on top of the crossmember to help protect the oil pan when drilling.**

Once the hole has been drilled. Position the step washer (55-20-4683) on top of the frame crossmember. Install the supplied 1/2" bolt through the new bracket, crossmember, step washer, and Stover nut. Tighten (65).

Do not install the track bar at this time.

Illustration 1



6) RADIUS ARM DROP BRACKETS...

- Start on the driver's side, place the jack under the passenger side arm and remove the driver's side radius arm bolts at the frame.

- Remove the top bolt and loosen the bottom bolt at the axle. Move the arm out of the way to allow room to drill the new mounting hole.

- Position the new radius arm drop bracket (55-03-4683) in place and secure with the factory hardware. Tighten (250). Mark the hole in the top of the bracket on the frame and drill a 1/2" hole.

- Install the tab nut (55-11-4683) into the frame through the hole located in front of the new bracket. Install the supplied 1/2" bolt, washer, through the new bracket and frame and into the tab nut. Tighten (65).

- Install the upper radius arm bolt at the axle. Install the arm into the new bracket and secure with the supplied 18mm bolt, washers, and Stover nut. Tighten (170). Do not tighten axle hardware at this time.

- Move to the passenger side, remove the jack.

- Remove the top bolt and loosen the bottom bolt at the axle. Move the arm out of the way to allow room to drill the new mounting hole.

- Position the new radius arm drop bracket (55-03-4683) in place and secure with the factory hardware. Tighten (240). Mark the hole in the top of the bracket on the frame and drill a 1/2" hole.

- Install the tab nut (55-11-4683) into the frame through the hole located in front of the new bracket. Install the supplied 1/2" bolt, washer, through the new bracket and frame and into the tab nut. Tighten (85).

- Install the upper radius arm bolt at the axle. Install the arm into the new bracket and secure with the supplied 18mm bolt, washers, and Stover nut. Tighten (170). Do not tighten axle hardware at this time.

7) REPLACEMENT BUMP STOPS...

- On each side, press a new bump stop (01-4620) in the factory bump stop cups. Be sure the lip of the cup is fully engaged in the recess of each bump stop.

8) SHOCK ABSORBERS...

- Install the supplied bushings and sleeves into the shock cylinders (01-88510).

- Install the shocks into the upper mount on the vehicle using the supplied upper stem bushing and washer pack; the lower mount will be attached in a later step.

9) COIL SPRINGS...

- Place the coil spring isolator on the new springs (01-240) and insert coil springs.

- Raise the axle and attach the shock absorber to the lower mount with the factory hardware. Tighten (110).

10) DRIVESHAFT, ANTI-SWAY BAR BODY, PITMAN ARM and DRAG LINK...

□ Reattach the driveshaft, tighten (45).

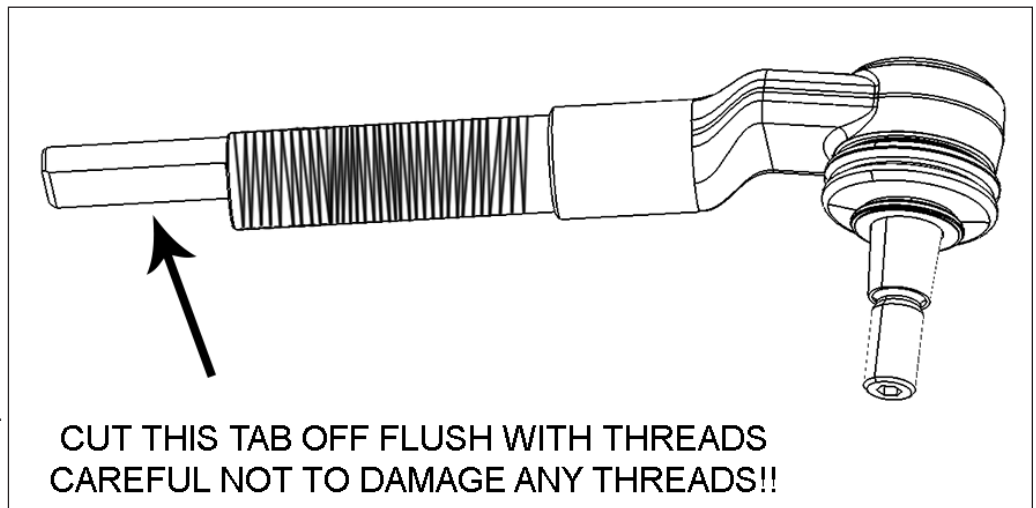
□□ Install the anti-sway bar body drop brackets on the frame (55-12-4683 passenger side and 55-13-4683 driver side) using the factory hardware (50). Reattach the anti-sway bar body to the new brackets using the supplied 7/16" x 1-1/4" bolts, washers, and Nyloc nuts; tighten (50).

□ Align the indexing splines of the new pitman arm with the steering sector shaft then secure using the factory hardware. Tighten (117).

□ [Illustration 2] The threaded body end of the drag link end must be trimmed before it can be flipped and attached to the new pitman arm. Mark the end of the adjuster sleeve on both ends for reference. Cut the tab using a cutoff wheel or other appropriate tool. Do not damage any threads when trimming this tab.

Illustration 2

□ Once the tab has been trimmed, thread the drag link back into the adjuster to the previous location and install into the pitman arm. (65)

**11) BRAKE LINE BRACKET...**

□ [Illustration 3] Install the new driver's side brake line bracket (55-23-4683) to the frame using the factory hardware. Tighten (9). VERY CAREFULLY reform the brake line to fit into the new bracket. DO NOT KINK THE LINE. Attach factory brake line bracket to the new bracket using supplied 1/4" x 3/4" bolt, washer and Nyloc nut. Tighten (8)

□ [Illustration 4] Install new passenger's side brake line bracket (55-24-4683) to the frame using supplied 1/4" x 1" bolt, washer, and Nyloc nut. Tighten (8). CAREFULLY extend factory brake line down allowing factory bracket to attach to the new bracket. Tighten (8).

12) TIRES / WHEELS...

□ [Illustration 5] Reinstall the tires and wheels. Tighten the lug nuts (95) in the sequence shown.

WARNING: When the tires / wheels are installed, always check for and remove any corrosion, dirt, or foreign material on the wheel mounting surface, or anything that contacts the wheel mounting surface (hub, rotor, etc.). Installing wheels without the proper metal-to-metal contact at the wheel mounting surfaces can cause the lug nuts to loosen and the wheel to come off while the vehicle is in motion.

WARNING: Retighten lug nuts at 500 miles after any wheel change, or anytime the lug nuts are loosened. Failure to do so could cause wheels to come off while vehicle is in motion.

Illustration 5

LUG NUT TORQUE SEQUENCE -
Follow the pattern
shown to torque the lug nuts.

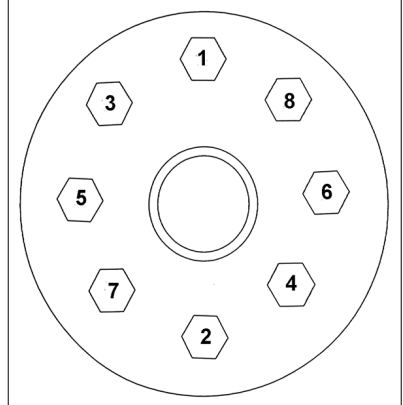
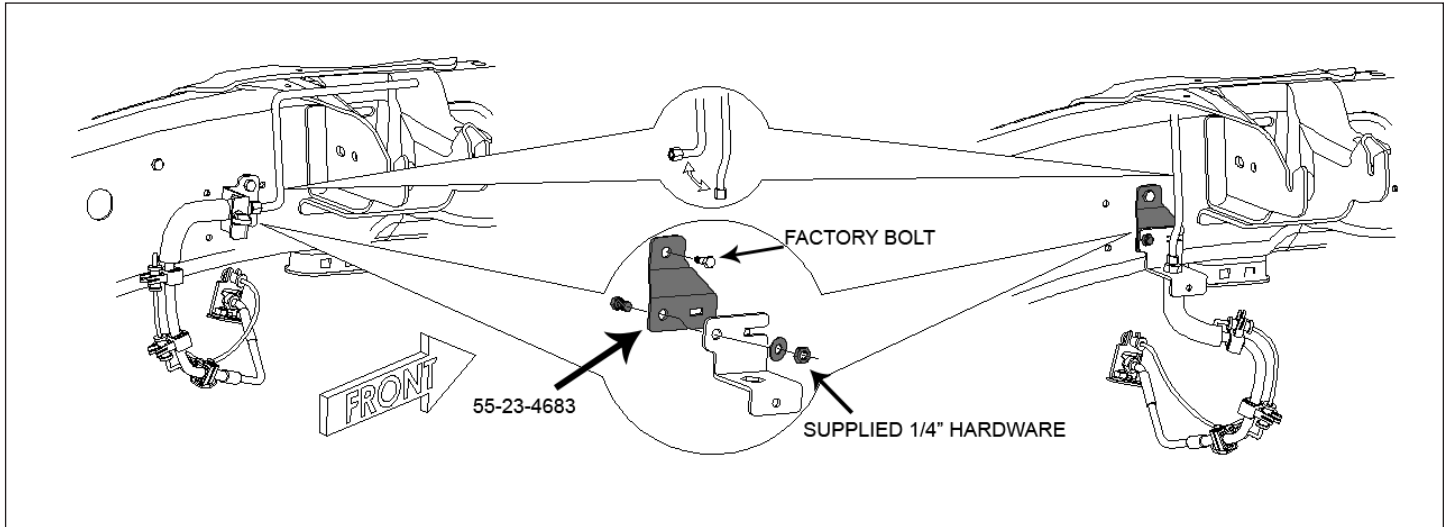
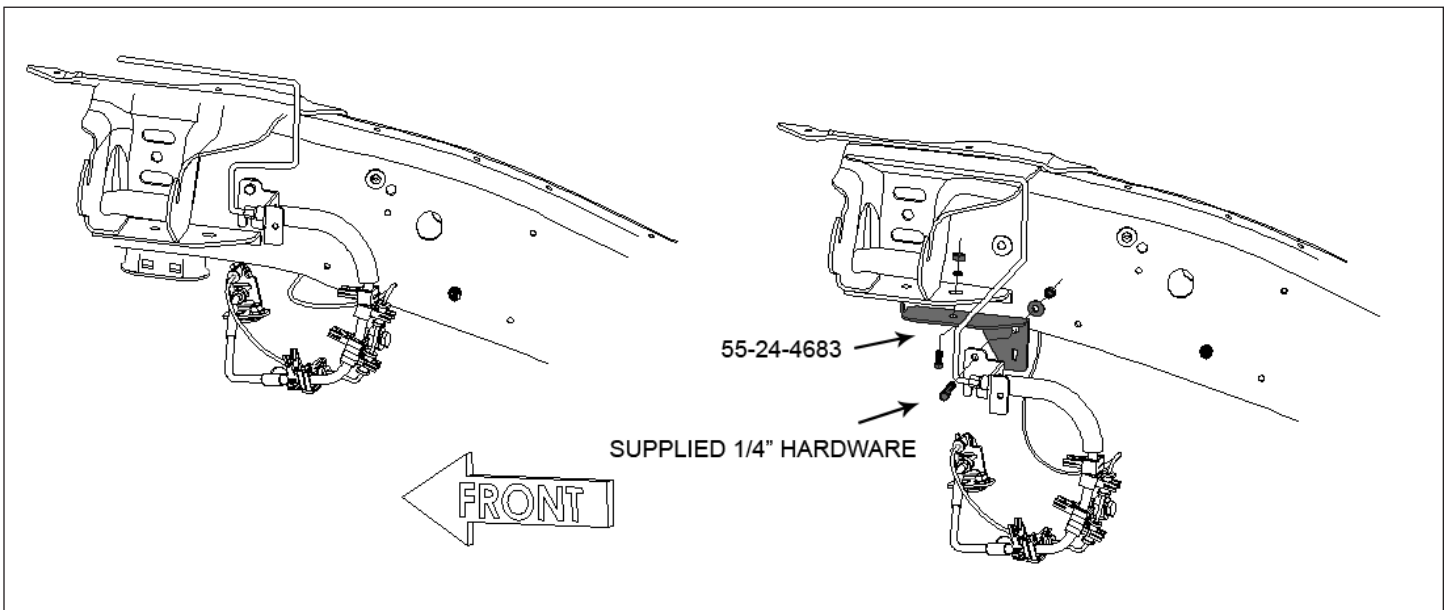


Illustration 3**Illustration 4****13) INITIAL CLEARANCE CHECK...**

With the vehicle still on jack stands, and the suspension “hanging” at full extension travel, check all components for proper operation and clearances. Pay special attention to clearance between the tires / wheels and brake hoses, driveshaft, etc.

Lower vehicle to the floor.

14) FRONT TRACK BAR and RADIUS ARMS...

Reattach the front track bar to the new bracket using the supplied 18mm bolt, washers, and Stover nut. Tighten (170).

Tighten all radius arm bolts (240).

2500 RAM MODELS - REAR DISASSEMBLY

3500 RAM section starts at step 28.

15) PREPARE VEHICLE...

Place vehicle in neutral. Raise rear of vehicle with a jack and secure a jack stand beneath each frame rail, in front of the rear link arms. Ease the frame down onto the stands, place transmission in low gear or "park", and chock rear tires. Place jack under axle and raise. Remove rear tires.

16) ANTI-SWAY BAR LINKS and TRACK BAR...

Disconnect the anti-sway bar links from the frame.

Unbolt the brake line bracket at the axle.

Unclip the vent hose from the frame on the driver's side.

Unbolt the track bar from the frame and loosen at the axle.

17) EMERGENCY BRAKE LINE BRACKET and LINK ARMS...

Remove the emergency brake cable bracket from the LCA and cable line. Discard bracket.

Disconnect the emergency brake bracket from the frame.

Loosen both the upper and lower link arms at the axle and the frame.

18) SHOCK ABSORBERS and COIL SPRINGS...

Lower the axle with a jack and remove the factory coil springs. Remove spring isolator. Discard coil springs. Remove and discard shock absorbers; retain hardware.

2500 RAM MODEL - REAR ASSEMBLY

3500 RAM section starts at step 28.

19) COIL SPRINGS...

Position the coil spring isolator on the new coil springs (01-241). Place the new coil springs on the axle coil seat.

20) ANTI-SWAY BAR LINK DROP BRACKETS...

[Illustration 6] Place the new anti-sway bar drop bracket (55-10-4683) over the factory bracket. Mark the location of the top hole in the new bracket on the frame and drill to 3/8".

Secure using the supplied 3/8" bolt, washers, and Nyloc nut in the top hole and the supplied 7/16" bolt, washers, and Nyloc nut in the middle hole. Do not connect the anti-sway bar links at this time.

21) SHOCK ABSORBERS..

Install the supplied bushings and sleeves into the shock cylinders (01-88520).

Install the shocks into the upper mount on the vehicle using the supplied upper stem bushing and washer pack.

Install the second sleeve (08-4683) inside the bracket, centered with the 7/16" bolt hole. Install the supplied 7/16" x 4" bolt, washer, and stover nut. Tighten (50).

Insert with the supplied 1/2" bolt, washer, and tab nut (55-12-4540) through the top hole. Tighten (65).

24) BRAKE LINE BRACKET...

Place the new brake line bracket (55-06-4683) over the factory brake line bracket mounting studs and secure with the factory hardware. Tighten (9).

Position the factory brake line bracket over the top holes in the new bracket and secure using the supplied 5/16" bolts, washers, and nuts. Tighten (17).

Reinstall the emergency brake bracket at the frame. Tighten (23).

25) TIRES / WHEELS...

[Illustration 8] Reinstall the tires and wheels. Tighten the lug nuts (95) in the sequence shown.

WARNING: When the tires / wheels are installed, always check for and remove any corrosion, dirt, or foreign material on the wheel mounting surface, or anything that contacts the wheel mounting surface (hub, rotor, etc.). Installing wheels without the proper metal-to-metal contact at the wheel mounting surfaces can cause the lug nuts to loosen and the wheel to come off while the vehicle is in motion.

WARNING: Retighten lug nuts at 500 miles after any wheel change, or anytime the lug nuts are loosened. Failure to do so could cause wheels to come off while vehicle is in motion.

26) CLEARANCE CHECK...

With the vehicle still on jack stands, and the suspension "hanging" at full extension travel, check all components for proper operation and clearances. Pay special attention to the clearance between the tires / wheels and brake hoses, wiring, etc.

Lower vehicle to the floor.

27) REAR TRACK BAR, ANTI-SWAY BAR LINKS, and LINK ARMS...

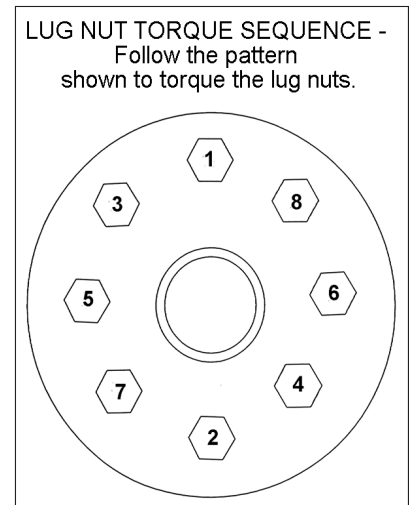
Reattach the rear track bar to the new bracket using the factory hardware. Tighten (120).

Tighten the upper and lower link arms at the frame and the axle. (405).

Reattach the anti-sway bar links to the new brackets using the factory hardware. (55).

SKIP TO STEP 35.

Illustration 8



3500 RAM MODELS - REAR ASSEMBLY

2500 RAM section located at step 15

28) PREPARE VEHICLE...

Place vehicle in neutral. Raise rear of vehicle with a jack and secure a jack stand beneath each frame rail, in front of the rear link arms. Ease the frame down onto the stands, place transmission in low gear or "park", and chock rear tires. Place jack under axle and raise. Remove rear tires.

29) EMERGENCY BRAKE CABLE...

[Illustration 11] Locate the emergency brake cable retaining tab on the top of the rear differential. Remove the nut and pull tab off of the stud.

[Illustration 12] Note the location of the brake cables within each hanger. Loosen the nut on the emergency brake cable adjuster at the frame.

[Illustration 13] Remove the lower emergency brake cable from the bracket and remove it from the frame mount.

30) SHOCK ABSORBERS...

Remove the shock absorbers. Discard.

31) INSTALLING BLOCKS...

[Illustration 14] Remove ubolts and then lower the axle several inches away from springs; discard the ubolts, factory blocks, and hardware.

[Illustration 15] Clean spring pads of all debris. Position the Superlift block (023) on top of the axle pad with the center pin offset forward, then using the floor jack(s), mate the springs to the blocks, be sure that the center bolt heads seat properly. Install the new Superlift 9/16" ubolts (10992) and factory ubolt plate. Evenly torque the ubolts using an "X" tightening sequence. (150)

32) SHOCK ABSORBERS...

Install the rear shock absorbers; Superide shocks must be installed with the cylinder body mounted at the axle (Superide 01-85150; Bilstein BE5-6249-H5). Position a supplied 3/4" SAE washer at the top and bottom of the shock on the inside of the bracket and tighten the upper and lower bolts.

33) EMERGENCY BRAKE CABLE...

[Illustration 16] Route the disconnected emergency cable under the "second" frame mount and back through the first mount as originally installed.

Reattach to the frame and adjuster bracket.

Illustration 11



Illustration 12



Illustration 13



34) TIRES / WHEELS...

- [Illustration 17] Reinstall tires and wheels. Tighten the lug nuts in the sequence shown. (115)

WARNING: When the tires / wheels are installed, always check for and remove any corrosion, dirt, or foreign material on the wheel mounting surface, or anything that contacts the wheel mounting surface (hub, rotor, etc.). Installing wheels without the proper metal-to-metal contact at the wheel mounting surfaces can cause the lug nuts to loosen and the wheel to come off while the vehicle is in motion.

WARNING: Retighten lug nuts at 500 miles after any wheel change, or anytime the lug nuts are loosened. Failure to do so could cause wheels to come off while vehicle is in motion.

- Lower vehicle to the floor.

35) ALIGNMENT...

- Realign vehicle to factory specifications.

36) CLEARANCE CHECK...

- With the vehicle on the ground, check all components for proper operation and clearances. Pay special attention to the clearance between the tires / wheels, brake hoses, wiring, etc.

37) FOUR WHEEL DRIVE...

- Activate the four wheel drive system and check for proper engagement.

38) HEADLIGHTS...

- Re-adjust headlights to proper setting.

39) SUPERLIFT WARNING DECAL...

- The WARNING TO DRIVER decal installs on the inside / top / center of the windshield frame, just below the windshield frame's tie-down loop. Prior to installation, pre-clean the surface with the supplied alcohol cleaning pad.

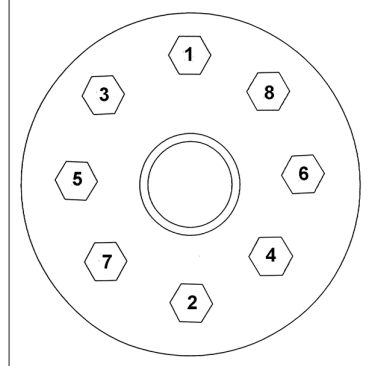
40) SUPERLIFT BADGES...

- This kit is packaged with a Superlift badge. Prior to installation, use the supplied alcohol pad to eliminate all soap and or other non-adhering residues that may impair adhesion, thoroughly clean the entire area of placement.

- Remove the adhesive back and place small badge in the desired location. The adhesive on our badges is pressure sensitive and must be

Illustration 14**Illustration 15****Illustration 16****Illustration 17**

LUG NUT TORQUE SEQUENCE -
Follow the pattern
shown to torque the lug nuts.



applied using pressure on all areas of the graphic. Like any PSA (pressure sensitive adhesive), it can take up to 72 hours for the adhesive to fully cure. Once the badge is in place do not peel it up, this will diminish the adhesive properties and could result in damaging the badge itself

☐ To keep your Superlift badge in “like new” appearance keep the badge free/clear of solvents and chemicals that could cause the adhesive to dry or dissolve. This includes gasoline, diesel fuel, paint thinner, and alcohol. Soap and water is all that is needed for cleaning. Degreasers can be used sparingly and hand wiped/applied if needed, although not suggested.

Superlift, LLC, Limited Lifetime Warranty

What is covered? Subject to the terms below, Superlift® will repair or replace its products found defective in materials or workmanship for so long as the original purchaser owns the vehicle on which the product was originally installed. Your warrantor is Superlift, LLC, doing business as Superlift® Suspension Systems (“Superlift®”).

What is not covered? Your Superlift® Limited Warranty does not cover products Superlift® determines to have been damaged by or subjected to:

- Alteration, modification or failure to maintain.
- Normal wear and tear (bushings, rod ends, etc.). Scratches or defects in product finishes (powder coating, plating, etc.).
- Damage to, or resulting from, the vehicle’s electronic stability system, related components or other vehicle systems.
- Racing or other vehicle competitions or contests. Accidents, impact by rocks, trees, obstacles or other aspects of the environment.
- Theft, vandalism or other intentional damage.

Remedy Limited to Repair or Replacement. The exclusive remedy provided hereunder shall, upon Superlift’s inspection and at Superlift’s option, be either repair or replacement of the product covered under this Limited Warranty. Customers requesting warranty consideration should contact Superlift® by phone (1-800-551-4955) to obtain a Returned Goods Authorization number. All removal, shipping and installation costs are customer’s responsibility.

If a replacement part is needed before the Superlift® part in question can be returned, you must first purchase the replacement part. Then, if the part in question is deemed warrantable, you will be credited / refunded.

Other Limitations - Exclusion of Damages - Your Rights Under State Law

- Neither Superlift® nor your independent Superlift® dealer are responsible for any time loss, rental costs, or for any incidental, consequential or other damages you may have.
- This Limited Warranty gives you specific rights, and this is the only warranty Superlift® makes in connection with your product purchase. You may also have other rights that vary from state to state. For example, while all implied warranties are disclaimed herein, any implied warranty required by law is limited to the terms of

our Limited Lifetime Warranty as described above. Some states do not allow limitations of how long an implied warranty lasts and / or do not allow the exclusion or limitation of incidental or consequential damages, so the limitations and exclusions herein may not apply to you. Superlift® neither assumes nor authorizes any retailer or other person or entity to assume for it any other obligation or liability in connection with this product or Limited Warranty.

Superlift, LLC, Satisfaction Guarantee

We want you to purchase our product with confidence and be 100% satisfied with the end result. If you have any legitimate issue, and Superlift® cannot rectify it to your satisfaction, Superlift® will take back the Superlift® brand product and refund the customer 100% of the product purchase price.

The details:

- Offer valid to the original retail consumer for six months after product purchase.
- May require a Superlift® dealer's participation in order to assist in "troubleshooting" the issue.
- Any costs related to labor, freight, incidental or consequential are not refunded.
- Refund will not exceed Superlift's® published retail price.

Important Product Use and Safety Information / Warnings

As a general rule, the taller a vehicle is, the easier it will roll over. Offset, as much as possible, what is lost in rollover resistance by increasing tire track width. In other words, go "wide" as you go "tall"; always use as wide a tire and wheel combination as feasible to enhance vehicle stability. We strongly recommend, because of rollover possibility, that the vehicle be equipped with a functional roll bar and cage system. Seat belts and shoulder harnesses should be worn at all times. Avoid situations where a side rollover may occur.

Generally, braking performance and capabilities are decreased when significantly larger / heavier tires and wheels are used. Take this into consideration while driving. Also, changing axle gear ratios or using tires that are taller or shorter than factory height will cause an erroneous speedometer reading. On vehicles equipped with an electronic speedometer, the speed signal impacts other important functions as well. Speedometer recalibration for both mechanical and electronic types is highly recommended.

Do not add, alter, or fabricate any factory or aftermarket parts to increase vehicle height over the intended height of the Superlift® product purchased. Mixing component brands is not recommended.

SUPERLIFT SUSPENSION

300 Huey Lenard Loop Rd.
West Monroe, Louisiana 71292
Phone: (318) 397-3000
Sales / Tech: (800) 551-4955
Fax: (318) 397-3040
www.superlift.com