



FORD F-150 INSTALLATION INSTRUCTIONS

Thank you for choosing Rough Country for all your vehicle needs.

Please read instructions before beginning installation. Check the kit hardware against the kit contents shown below. Be sure you have all needed parts and know where they go.

Check all fasteners for proper torque. Check to ensure for adequate clearance between all components.

Periodically check all hardware for tightness.

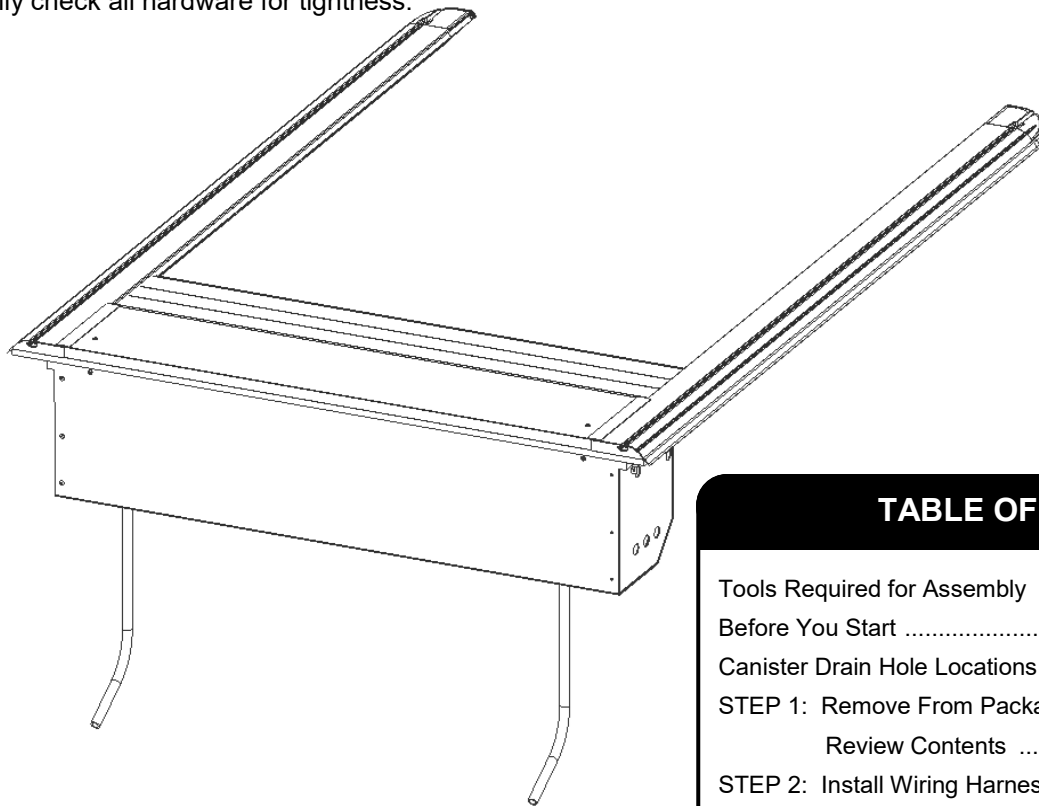


TABLE OF CONTENTS

Tools Required for Assembly	1
Before You Start	1
Canister Drain Hole Locations.....	1
STEP 1: Remove From Packaging, and Review Contents	1
STEP 2: Install Wiring Harness	2
STEP 3: Positioning Canister	3
STEP 4: Installing Rails.....	3
STEP 5: Installing The Top Cover	5
STEP 6: Installing The Clamp Extensions.....	6
STEP 7: Installing The Clamps.....	6
STEP 8: Installing Kickstands	8
STEP 9: Installing Tailgate Draintubes	8
STEP 10: Lubricating and Placing the Sweap Seals....	9
STEP 11: Connecting the Electronics	9
STEP 12: Installing Canister Drain Tubes.....	9
STEP 13: Release Handle Instructions.....	10
Maintenance	10
Release Handle Assembly Maintenance.....	10
Warranty Statement.....	11

ROUGH COUNTRY

CALL US: 1-800-222-7023

TEXT US: 731-503-8189

WEBSITE: <https://>

www.roughcountry.com/contact

TOOLS REQUIRED FOR ASSEMBLY

Tape Measure
Masking tape

3/8" Wrench
#2 Phillips Screwdriver

Utility Knife
5/32 Allen Wrench

Side Cut or Needle Nose
Pliers

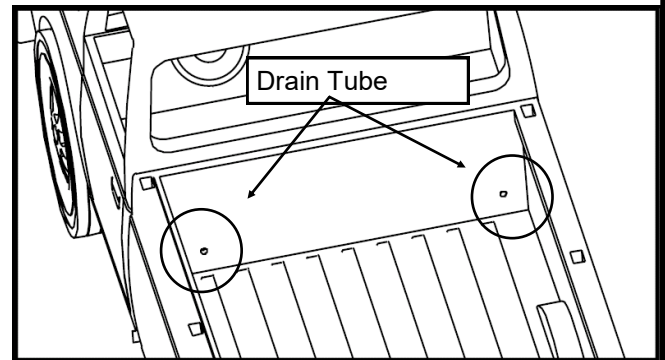
Note: There should be no drilling into the truck body needed on most standard or full-size trucks.

BEFORE YOU START!

Read the instructions carefully before you start. If you have any questions regarding the installation please call our Technical Support Line at (800) 222-7023.

CANISTER DRAIN HOLE LOCATIONS:

This tonneau cover is designed to carry rainwater from the cover into the canister and then out through the drains. Most truck models have standard OE drain holes or plastic/rubber access ports in the front of the truck bed. Check to make sure your truck has the OE drain holes so that drilling into the sheet metal is not required. If drilling is necessary, be sure to check the underside of the truck bed for the best location. The holes should be located near the side and as far forward as possible. Use a drill bit suitable for sheet metal (such as a taper drill or step drill). Drill drain tube clearance holes at 3/4" (19mm). This will need to be done before installing the cover. **(WARNING: Use caution not to drill into wires, hoses or the cab!)**



STEP 1: REMOVE FROM PACKAGING AND REVIEW CONTENTS

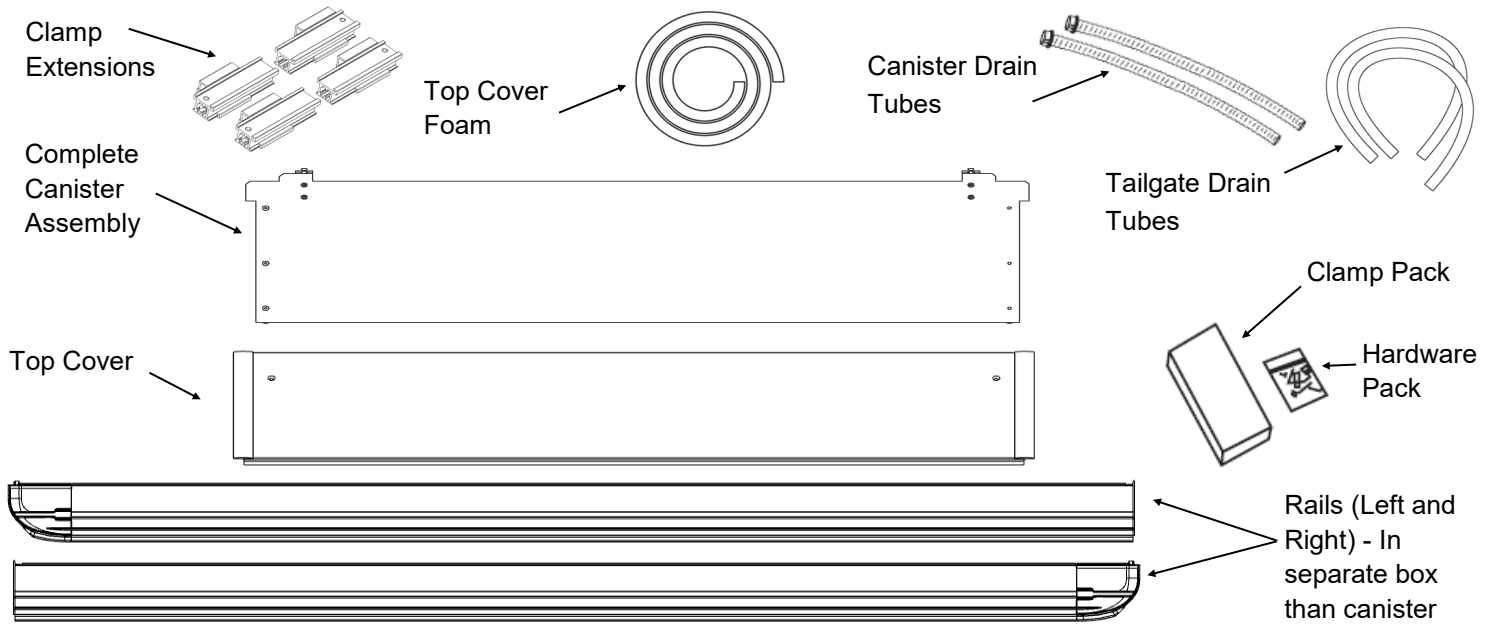
A complete unit will consist of one canister box (marked box 1 of 2) and one rail box (marked box 2 of 2). Remove the Top Cover, Canister, Clamp pack, Hardware pack, Foam, Clamp Extensions and Drain Tubes from the Canister box. Remove the rails from the rail box (see caution below). Perform a quick inventory of the packaging contents to ensure all parts are there. Using the 3/8" wrench or socket, remove the 2 bolts holding the plywood packaging supports on the ends of the canister. Discard plywood packaging supports and bolts.



TO AVOID SCRATCHING THE SURFACE OF THE RAILS, DO NOT SLIDE THEM OUT THE END OF THE BOX. OPEN THE BOX ALONG THE LENGTH, USE PLIERS TO PULL THE STAPLES, LIFT THE RAIL OUT. DO NOT USE A KNIFE TO CUT THE BOX



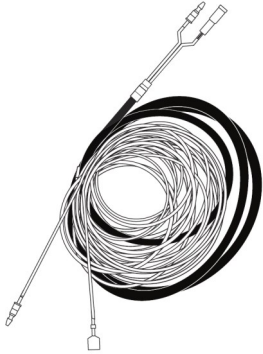
PACKAGING CONTENTS:



STEP 2: INSTALL WIRING HARNESS

HARDWARE USED:

(If the optional wire harness is used, you may want to tape it to the main harness to ease having to pull them through the bottom of bed separately).



WIRE HARNESS x 1

From inside the truck bed push the long wire harness end without the plug through the stake pocket on the drivers side of the truck and out the underside of the truck bed box.

Leave approximately one foot of slack inside the box for mounting the electronics.

Route the wire harness under the truck and to the battery in the engine compartment.

Attach the fuse holder to the end of the Red/positive wire.

(Do not attach to the battery yet.)



ZIP TIES x 5

Secure the harness with wire ties provided after slack from the canister had been taken out.

INSTALL TIP!

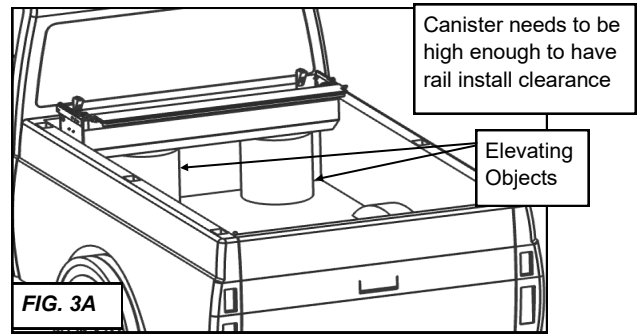
IF YOU HAVE ANOTHER PERSON TO HELP STEADY THE CANISTER, IT MAY BE EASIER TO INSTALL THE RAILS (DESCRIBED IN STEP 4) BEFORE POSITIONING THE CANISTER IN THE TRUCK BED.

INSTALL TIP!

STEP 3: POSITIONING CANISTER

Place the Canister in truck bed just behind the cab and center it from side to side. You will need to place the canister on elevating objects, such as the box the canister came in or 5 gallon buckets. (If you have someone to help you, you can jump to step 4 and install the assembled canister and rails on the truck.)

Note: Ensuring that the canister is centered in the bed will help assemble the rails to canister in the next step.

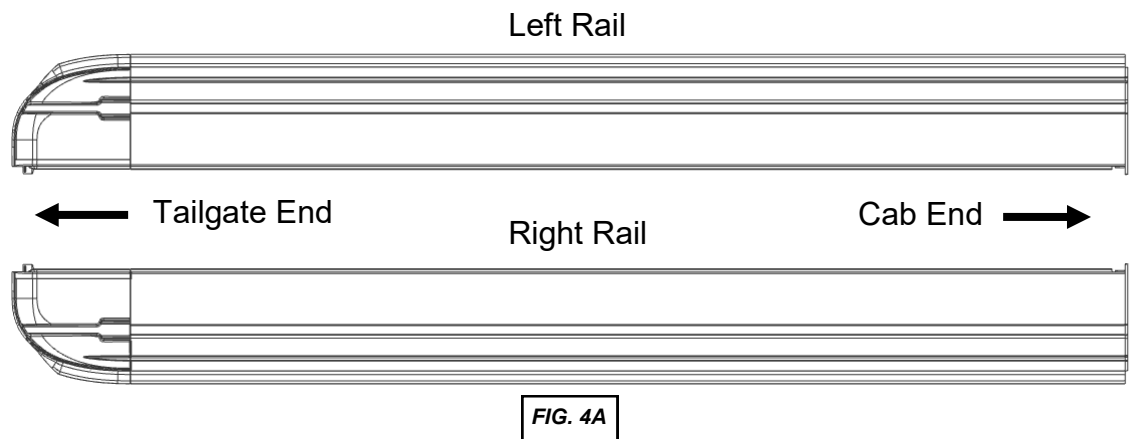


STEP 4: INSTALLING RAILS

Open the rail box along the length of the box; lift rails out to avoid scratching the rail surface on the package staples.

Remove the protective paper from the foam on the underside of the Rail flanges. This is for packaging purposes only.

Next identify the left and right side rails (FIG 4A). The rail flange and foam towards the outside of the truck bed.



HARDWARE USED:



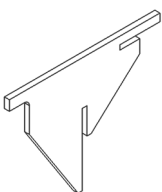
1/4-20 X 5/8" RAIL SCREW x 2



1/4" LOCK WASHER x 2

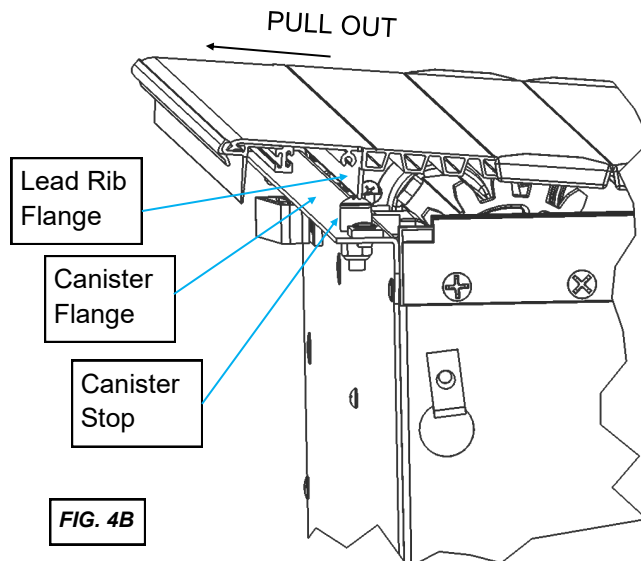


1/4" FLAT WASHER x 2

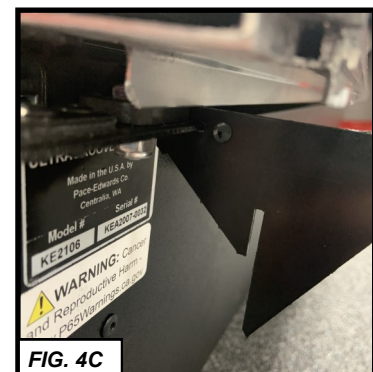


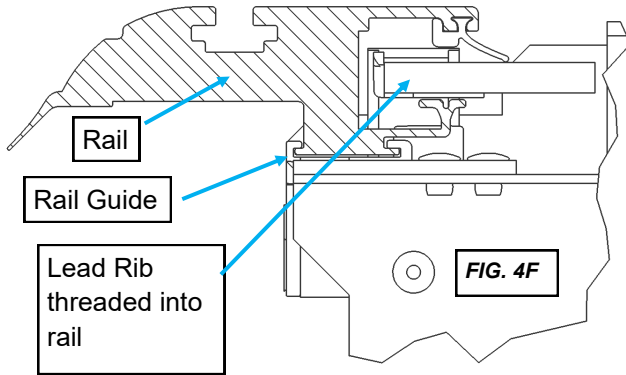
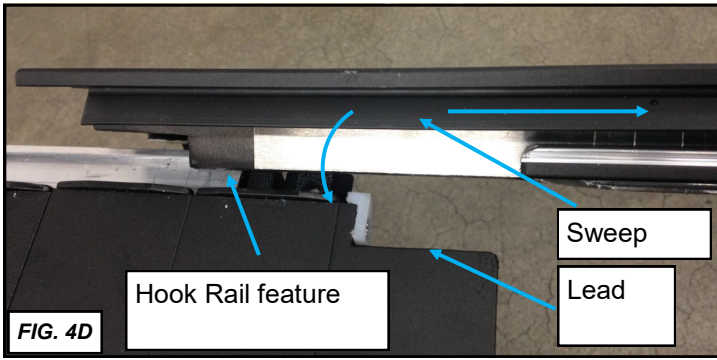
INSTALLATION TOOL x 1

First make sure that the Lead Rib Flange is pulled toward the tailgate enough to clear the Canister Flange and Canister Stop (FIG 4B).



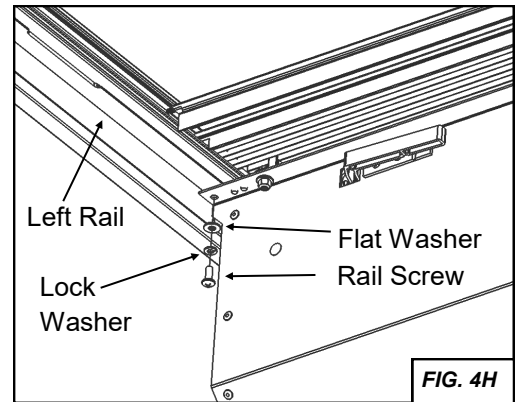
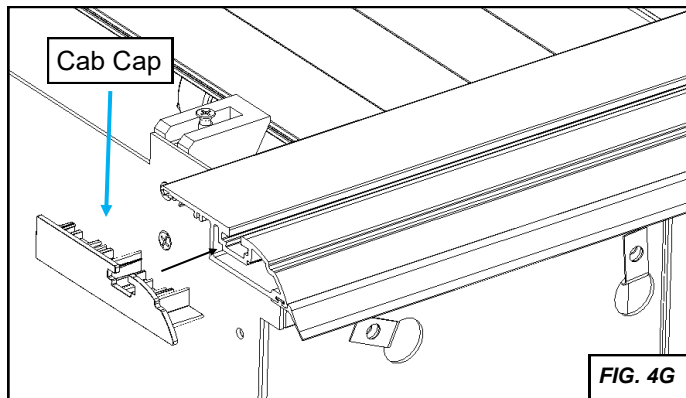
Slide the Installation Tool onto the Canister Flange and rest the Lead Rib Flange on the Installation Tool (FIG 4C).



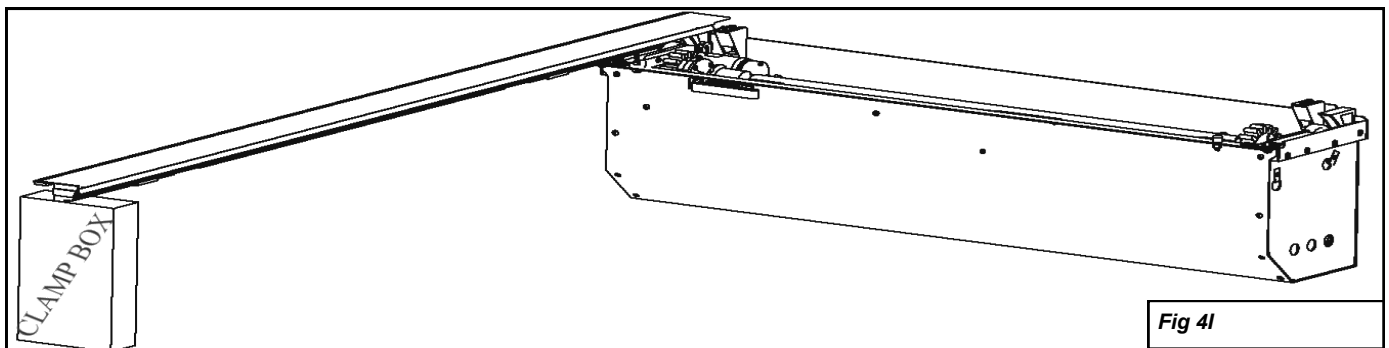


Now hook the rail into the rail guide and roll it down making sure to not get the sweep seal folded back into the rail (FIG 4D & 10A).

Then you can thread the Lead Rib into the rail and push the rail forward to the end of the can (FIG 4E & 4F). Next push the cab caps into the front of the rails (FIG 4G). Finally secure the rail to the canister with the Rail Screws proved with flat washer and lock washer (FIG 4H).



IF YOU ARE INSTALLING THE RAILS OUTSIDE OF THE TRUCK BED USE THE CLAMP BOX TO PREVENT THE RAIL FROM HITTING THE GROUND WHILE INSTALLING THE SECOND RAIL (FIG 4I).



The rails and canisters shown are for REFERENCE, and may not exactly match your own geometry.

STEP 5: INSTALLING THE TOP COVER

Remove the UV protectant sponge that is adhered to the underside of the Topcover and set it aside for step 10. Shut the tailgate and pull the rails back until the tailgate cap seals have good engagement with your tailgate. A good way to check for proper engagement is to make sure the bottom cap and tailgate have 1/4" gap (FIG 5A).

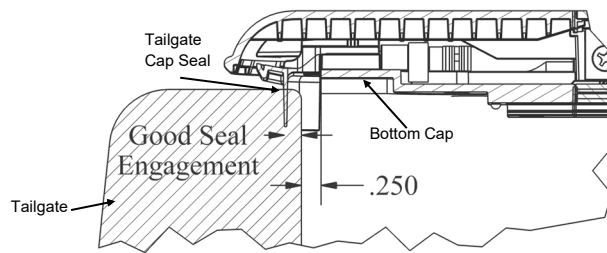
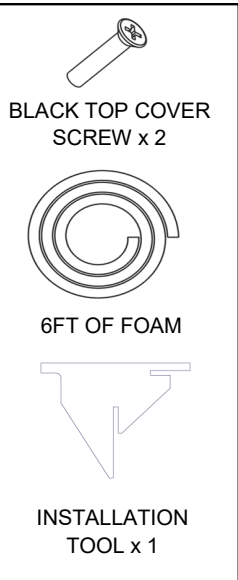


FIG. 5A

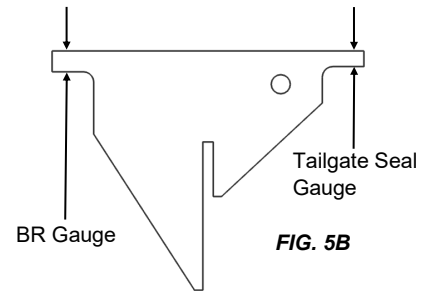


FIG. 5B

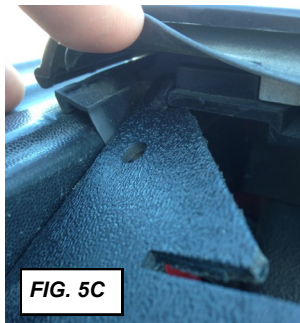


FIG. 5C

Another way to set the tailgate cap seals is to use the Tailgate Seal Gauge as shown in figure 5B & 5C. You should be able to just slide the Tailgate Seal Gauge in between the Tailgate Cap Seal and the Bottom Cap.

WARNING: Proper Tailgate Cap Seal Engagement is important for getting the best possible water resistance out of your cover!

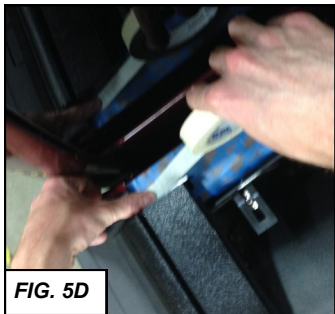


FIG. 5D



FIG. 5E

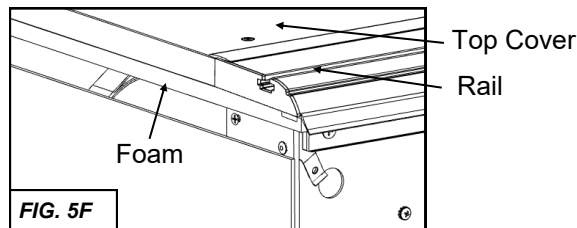


FIG. 5F

Next mark where the front of the rails sit and mark this position with masking tape, this will be a guide for placing your foam. (FIG 5D). Now pull the cover back until there is room to apply the foam. Lay the foam on the front sill of the truck from rail to rail, trimming the excess with a utility knife (FIG 5E).

Now scoot the rails and canister back on the foam and double check that your tailgate seal engagement is good. You can now install your top cover with the two included screws while making sure it aligns with the front of your rails (FIG 5F).

WARNING: Proper top cover foam installation is important for getting the best possible water resistance out of your cover!

STEP 6: INSTALLING THE CLAMP EXTENSIONS

Slide the clamp extensions on the tailgate and cab end of each rail as pictured in Figure 6A-6E. Ensure that your tailgate end and cab end extensions are in the correct orientation and have the correct stick on shims. Each clamp extension is labeled for front left (FL), front right (FR), back left (BL), and back right (BR). The extensions go on the corners shown in figure 6A.

Tailgate End:

-1/8" Black Shim Shim

-Set Screw Hole Toward Tailgate

Cab End:

-1/16" White Shim

-Set Screw Hole Toward Cab

Next slide the extensions so they line up flush with the end of the clamp relief as shown in Figure 6G and tighten with a 5/32" Allen Wrench. If you have trouble sliding on the clamp extension, make sure your set screw is not sticking out the top of the clamp extension.

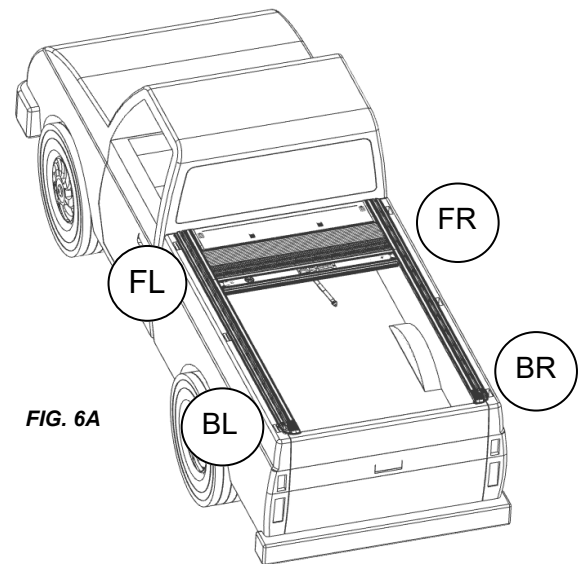


FIG. 6A

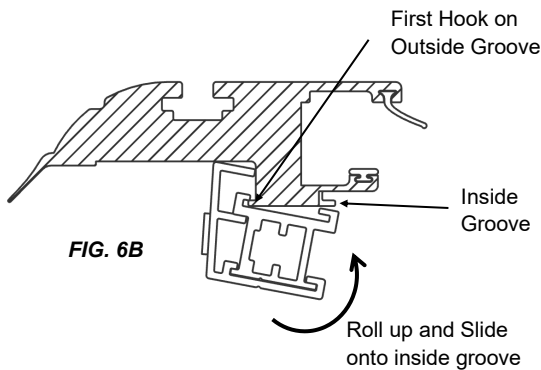


FIG. 6B

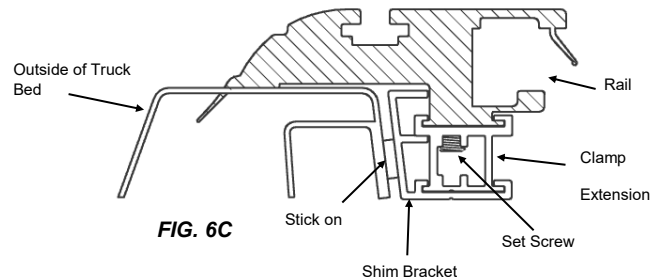


FIG. 6C

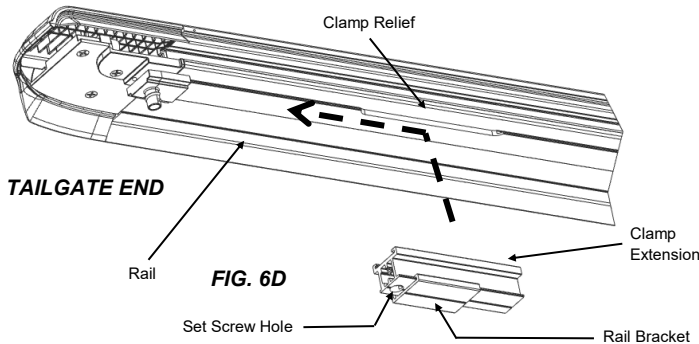


FIG. 6D

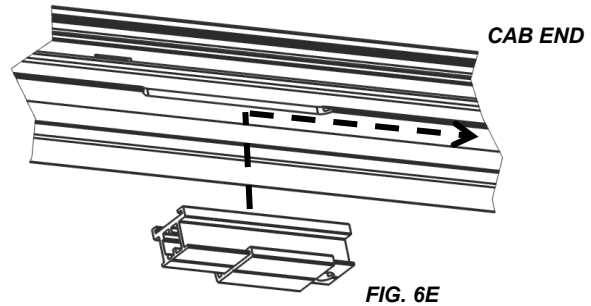


FIG. 6E

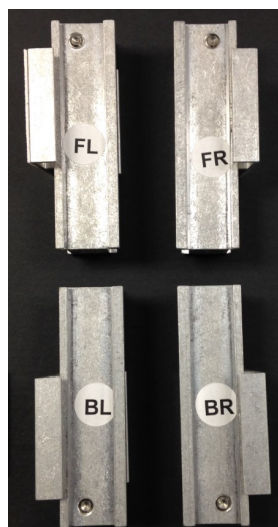


FIG. 6F

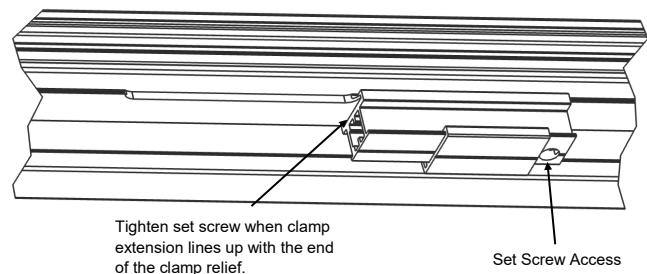


FIG. 6G

STEP 7: INSTALLING THE CLAMPS

Secure the rails to the truck bed by installing two clamp assemblies per rail. Slide the Clamp Grip onto the Clamp Extension toward the Shim Bracket and (FIG 7A and 7B). Then assemble the rest of the clamp parts as shown below (FIG 7C AND 7D). There are two CCW and two CW back plates in the kit. Rotate the back plate towards the center of the truck bed (FIG. 7D). Once the back plates are upright in the truck bed,

Now tighten your clamp turn knobs hand tight. Finally, check for proper spacing by measuring between the rails by attempting to insert the BR Gauge in between the rail metal and the handle stop (FIG 7E). You can also check the between the rail measurement at the canister and the tailgate end of the rails. The measurements should be equal to or less than those in Figure 7F. The Clamp Extensions have been pre-installed with brackets and shims to achieve the proper Between the Rail dimension (BR) when placed on an average factory truck bed. However, not all truck beds are average dimensionally and some have optional plastic caps or over the rail spray-in liners.

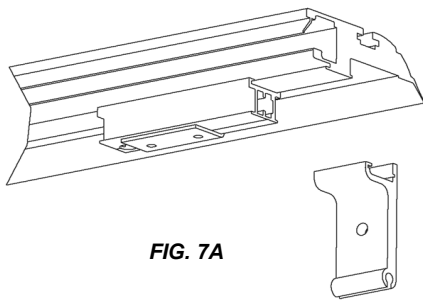


FIG. 7A

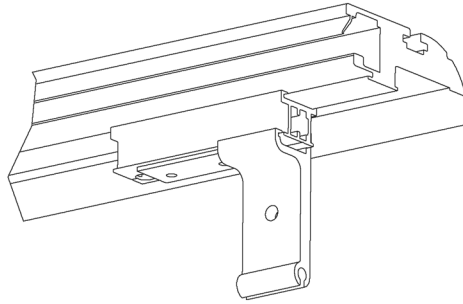


FIG. 7B

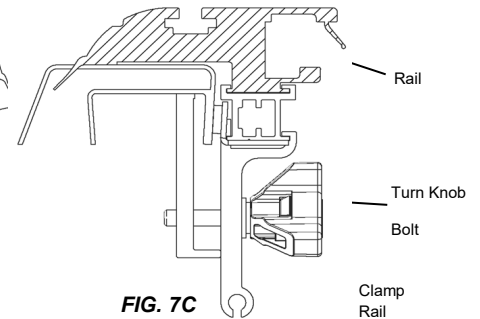


FIG. 7C

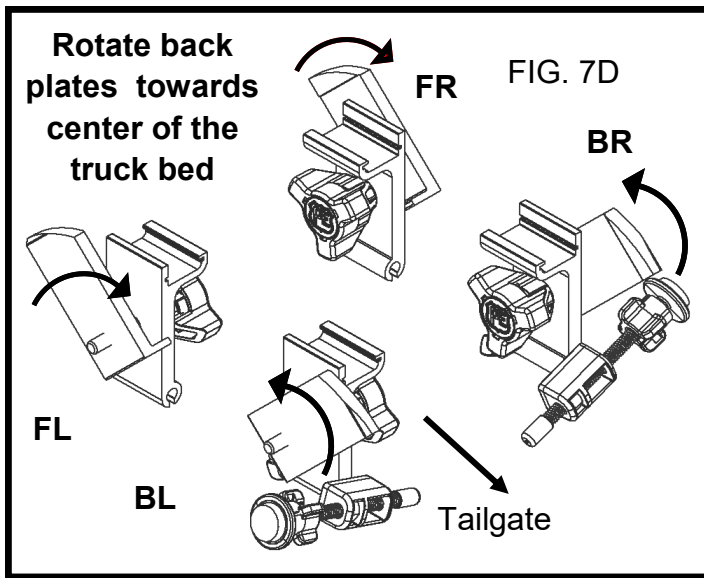


FIG. 7D

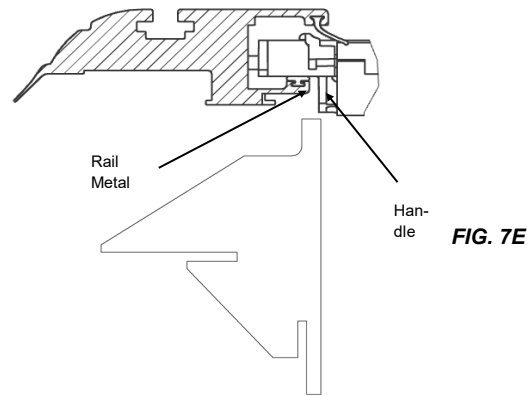


FIG. 7E

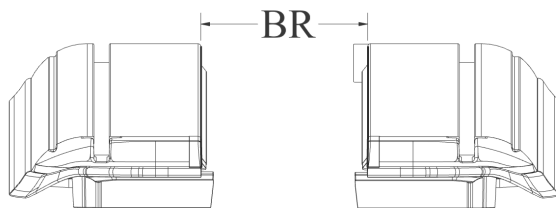


FIG. 7F

PART NUMBER	BETWEEN RAILS (BR)
C22028	58 9/16
C22029	58 9/16
C22030	58 9/16
C22105	58 9/16
C22106	58 9/16
C22107	58 9/16
C22171	58 9/16
C22172	58 9/16

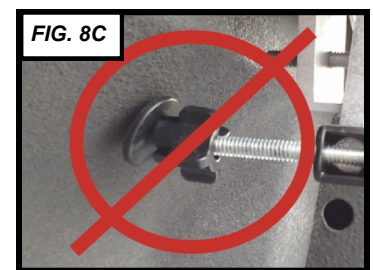
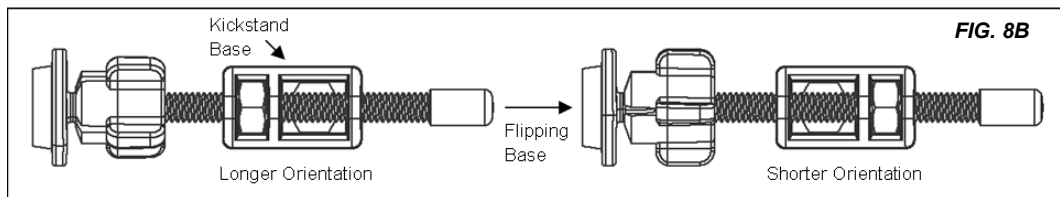
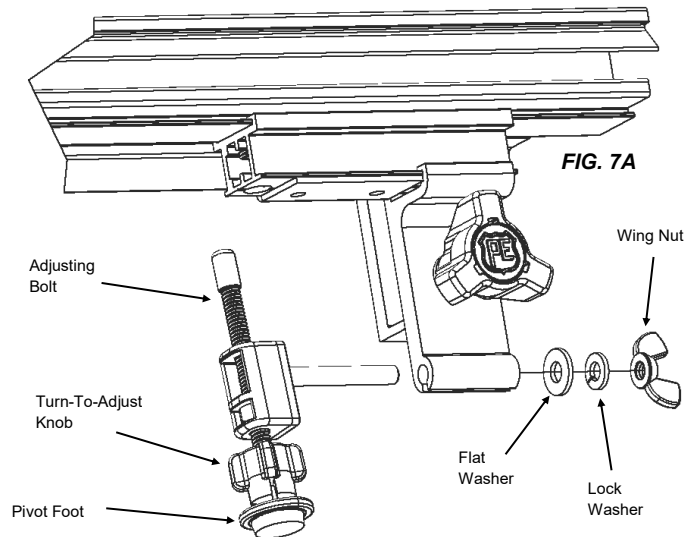
Part number is on the serial number label in the upper left corner of the canister (looking from tailgate).

Another way to ensure proper fit is to check the side to side play of the handle assembly at the canister and at the tailgate end of the rails. There should be, at the minimum, enough play to allow the cover to move freely with no drag and at a maximum 1/8 inch per side. More than 1/8 inch per side may result in the cover opening unintentionally and in severe cases it may fall between the rail tracks and damage the cover. **There are "Stick on Shims" on the shim brackets that can be removed if the unit is too tight and "Stick on Shims" in the hardware pack that can be added if too loose. Refer to Figure 6C for "Stick on Shims" if adjustment is needed.**

STEP 8: INSTALLING KICKSTANDS

Install the kickstands at the tailgate ends of the rails. Loosely fasten the kickstand assembly to the clamp grip, on the side of the grip where the pivot foot will land on the flattest section of bed wall. Rotate the assembly so that it will push as squarely as possible on the bed wall, then tighten the wing nut. If the assembly is not positioned squarely against the bed wall, the assembly will rotate out of position, or the foot or knob can dislodge when the rail is flexed or loaded (FIG. 8C).

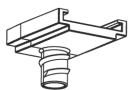
Run the adjusting bolt inward toward the bed wall, putting some pressure on the foot, then continue running the bolt inward using the knob until the rail is visually level. The adjusting bolt can be removed and the base flipped 180 degrees to adjust for varying clearance with the bed wall (FIG. 8B). Verify the BR dimension after the rails are leveled.



STEP 9: INSTALLING TAILGATE DRAINTUBES



TAILGATE DRAIN TUBES X 2



DRAIN FITTINGS X 2

FIG. 9A

To install the tailgate drain tubes you need to find suitable holes in the rear stiffener of your truck bed. Figure 9C shows possible hole locations.

Next you will screw the drain tube into the drain fitting and slide it on the tailgate cap as shown in Figure 9B. There is an interference bump on the cap that will lock the drain fitting in place. Next you will need to thread the drain tube in the desired hole and trim the length of the tube if needed. If there are no holes on the tailgate side of your truck you will need to drill holes, make sure to check for wires you could damage first (5/8" or 16mm).

WARNING: Drain tube installation is paramount to getting the best possible water resistance out of your cover!

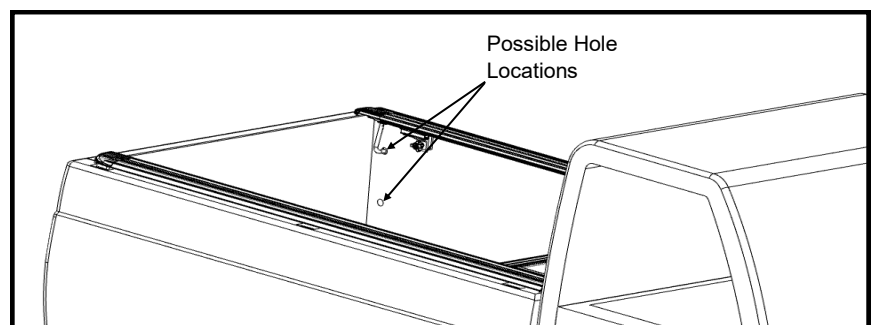
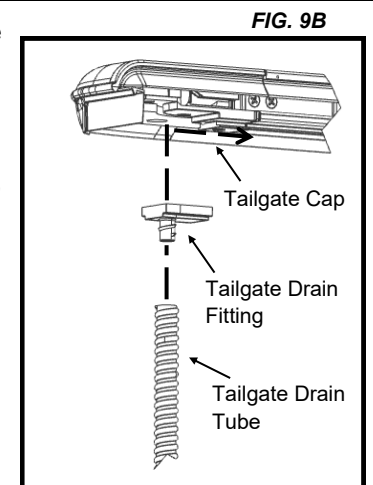


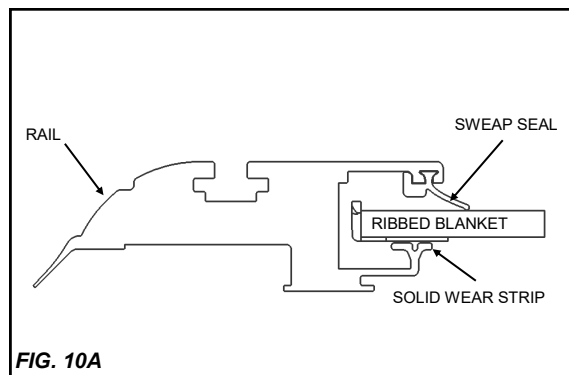
FIG. 9C

STEP 10: LUBRICATING & PLACING THE SWEEP SEALS

Locate the sweep seals (rubber weather strips) on the rails. Use the provided UV protectant to wipe the underside of the sweep seal and the top of the wear strip on each rail. The UV protectant can be found adhered to the underside of the top cover lid or in the hardware pack.

Extend the cover to the tailgate. Use an Allen Wrench if needed to carefully draw out the sweep seal (seal should be angled outwards toward the cover—not rolling in toward the bed rail). (Fig. 10A)

Proper care and placement of the sweep seal will ensure smooth operation of the cover. Alcohol, petroleum or silicone based cleaners should be avoided and ARE NOT recommended for our covers.



STEP 11: CONNECTING THE ELECTRONICS

HARDWARE USED:



2-BUTTON REMOTE
KEY FOB x 2

The electronics box has been pre-mounted to the inside of the canister.

Connect the battery wire harness into the 2-wire plug at the end of the canister (**also connect the optional manual switch harness, if installed at this time**)

Attach the Red (positive) and Black (negative) wires to the battery or the truck manufacturers suggested connection points at this time.

Unit is now ready to operate.

Press the Open button to open cover and press the Close button to shut the cover.

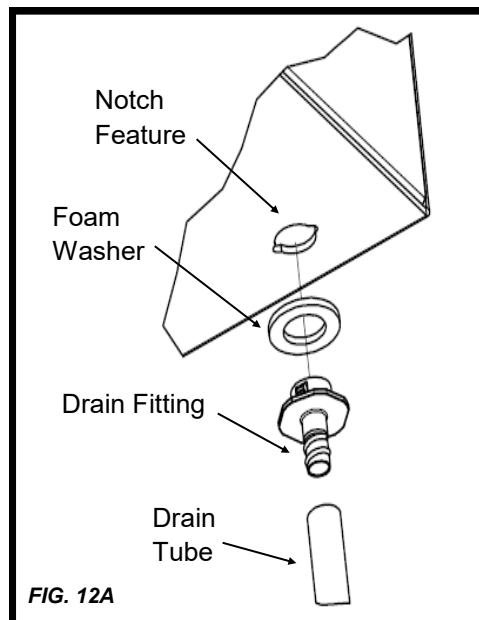
STEP 12: INSTALLING CANISTER DRAIN TUBES

First, ensure that the Foam Washer is in place on the Drain Fitting as this washer will help prevent water leakage. Next, test fit the drain tube to determine the length you want to trim it. Always caution on the long side. Trim the end that will be inserted through the truck bed using the wire cutters or a utility knife.

With the cover *opened*, insert the drain tube fittings into the pre-drilled holes on the underside of the canister by pushing them in place from under the canister. Drain Fitting should click into place.

Place the other end of the drain tube through the plastic/rubber access port or through the pre-drilled holes in the floor or the front wall of the truck bed. If routing through the front wall, ensure that the drain tubes are inserted and directed down so water flows out of the truck. **(WARNING: Use caution not to drill into wires, hoses or the cab!)**

To remove the drain tubes reach under the canister, grab the drain tube fitting and turn it while applying light downward pressure. When the retaining tabs align with notches in the bottom of the canister the Drain Tube and Fitting will drop out.



STEP 13: RELEASE HANDLE INSTRUCTIONS

If power is lost to the unit or the electric drive system fails to operate and you have to use the cover right away you can do the following to open or close the cover:

1. You will need to gain access to the release handle located on the driver side of the canister at the front of the truck bed. Once you have access to it, Pull the handle out away from the canister and pull out the handle kickstand behind it.
2. Settle the kickstand into the notch on the handle to hold the handle in place.
3. Now you should be able to push or pull the paneled blanket manually open or closed.

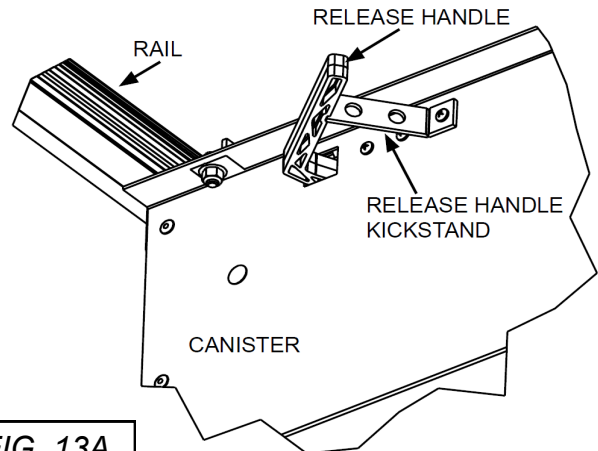


FIG. 13A

NOTE: The blanket will not lock unless you disengage the

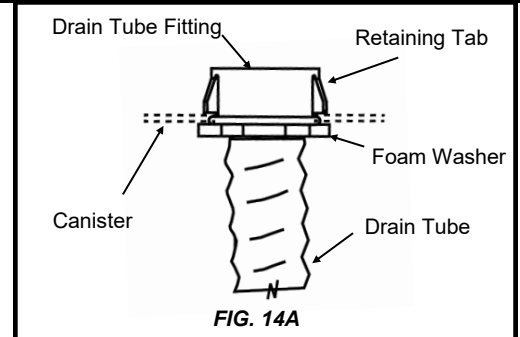
kickstand and lower the release handle. With the handle released the cover will move a short distance and the cover will then lock itself in place. (Cover may not lock tightly against tailgate) This process will allow you to use the cover until power is restored. It is not meant for extended or permanent use.

MAINTENANCE

After installation, if the cover is tight or hard to open and close, the shimming may need to be re-adjusted.

Periodically remove the Top Cover and clean out the canister.

Drain tubes may become clogged overtime and should be removed and cleaned. To remove the drain tubes reach under the canister, grab the drain tube fitting and turn it while applying light downward pressure. When the retaining tabs align with notches in the bottom of the canister the Drain Tube and Fitting will drop out. (FIG. 14A)



To help keep your Retractable Tonneau Cover looking it's best, we recommend washing it the same way you wash your truck. However you should not wax your cover.

RELEASE HANDLE ASSEMBLY MAINTENANCE

Maintenance of the Release Handle Assembly requires lubrication of the coupler located inside the canister. This is done during factory assembly but may need to be done from time to time during the life of your cover.

A small lubrication hole is provided on the coupler that a fine tipped grease gun can inject a small amount of grease into. A high quality waterproof wheel bearing grease is recommended.

To get to the coupler you will need to remove the rail clamps and end caps at the end of the rails. Use the manual release handle and **manually** pull the blanket out the end of the rails until you have access to the coupler inside the canister. Grease the coupler, cycle and spin it to distribute lubricant then reverse the process to re-assemble the cover being sure to **manually** push the cover back into place in the canister. **(DO NOT USE THE MOTOR TO RUN THE BLANKET INTO THE CANISTER OR YOU WILL DAMAGE THE RIB CAPS ON THE EDGES OF THE BLANKET.)**

WARRANTY INFO

Terms of Warranty

The structure of your cover is warranted to be structurally free from defects in material and workmanship for (3) three years from the retail date of purchase. The hinges, seals, and hardware are warranted to be free from defects in material and workmanship for (3) three years from the retail date of purchase. This warranty applies only to the original purchaser and is nontransferable. Your original sales receipt will serve as proof of purchase for this warranty. Before credit can be issued on a warranty claim, proof of defect may be required. This can be determined at the time of the claim.

Exclusions of Warranty

Not covered under this warranty is failure due to neglect, improper installation including any modifications to installation hardware, alterations, addition of equipment, abuse, accident, weather related damage, exposure to chemicals that are labeled "safe for rubber" and normal wear from lack of maintenance. Caution Always read the ingredients of any product you are using to clean your cover. Make sure that you only use products that are safe for use with rubber. Many chemicals contain material that will permanently discolor or damage your cover hinges and seals. This is not considered a manufacturer defect.

Repair and Replacement

In the event that your cover is found to be defective under the terms of this warranty, it is at our discretion to repair or replace the defective part. All repairs must be made under our direction and we are not responsible for any transportation costs associated with warranted claim.

Maintenance & Care

The surface of your cover require only periodic cleaning with mild car wash soap. Avoid all use of abrasive type cleaners as they may dull the finish. Some chemicals and fluids such as insect repellents, oils, solvents, and lubricants could potentially damage the seals and void the warranty.

By purchasing any item sold by Rough Country, LLC, the buyer expressly warrants that he/she is in compliance with all applicable, State, and Local laws and regulations regarding the purchase, ownership, and use of the item. It shall be the buyers responsibility to comply with all Federal, State and Local laws governing the sales of any items listed, illustrated or sold. The buyer expressly agrees to indemnify and hold harmless Rough Country, LLC for all claims resulting directly or indirectly from the purchase, ownership, or use of the items.

