

ROUGH COUNTRY

SUSPENSION SYSTEMS®

2" Receiver Step Kit

Thank you for choosing Rough Country for all your vehicle needs.

Please read instructions before beginning installation. Check the kit hardware against the kit contents shown below. Be sure you have all needed parts and know where they go.

If question exist, please call us @1-800-222-7023. We will be happy to answer any questions concerning this product.

Check all fasteners for proper torque. Check to ensure for adequate clearance between all components.

Periodically check all hardware for tightness.

Components Included:

- 1 - Step Rail
- 1-2" Receiver Tube
- 1-Clamp Bracket
- 1-Hitch Pin w/ Clip

Hardware Included:

- 2-Double Bolt Plates
- 1-10mm U-Bolt
- 2-10mm Flat Washers
- 2-10mm Nylon Lock Nuts
- 4-6mm Flat Washers
- 4-6mm Lock Washers
- 4-6mm Hex nuts

Tools Required:

- 10mm Wrench / Socket
- 17mm Wrench / Socket



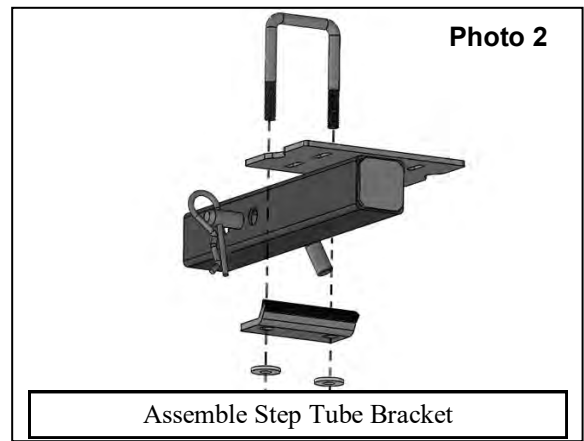
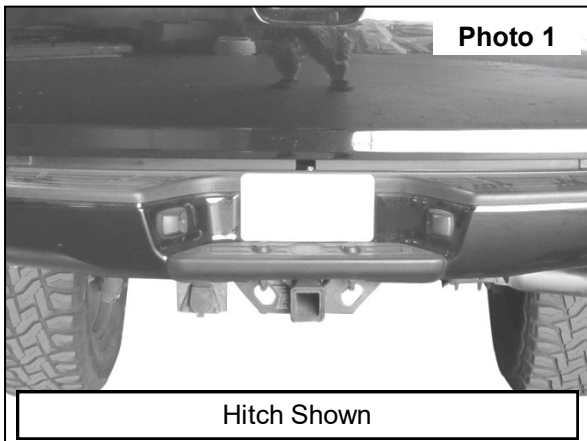
Torque Specs:

Size	Grade 5	Grade 8	Size	Class 8.8	Class 10.9
5/16"	15 ft/lbs	20ft/lbs	6MM	5ft/lbs	9ft/lbs
3/8"	30 ft/lbs	35ft/lbs	8MM	18ft/lbs	23ft/lbs
7/16"	45 ft/lbs	60ft/lbs	10MM	32ft/lbs	45ft/lbs
1/2"	65 ft/lbs	90ft/lbs	12MM	55ft/lbs	75ft/lbs
9/16"	95 ft/lbs	130ft/lbs	14MM	85ft/lbs	120ft/lbs
5/8"	135ft/lbs	175ft/lbs	16MM	130ft/lbs	165ft/lbs
3/4"	185ft/lbs	280ft/lbs	18MM	170ft/lbs	240ft/lbs

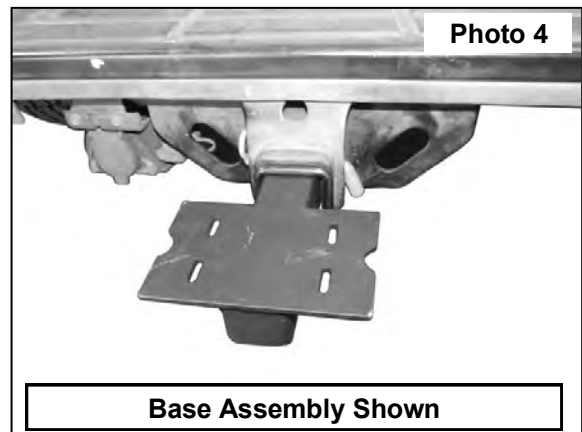


INSTALLATION INSTRUCTIONS

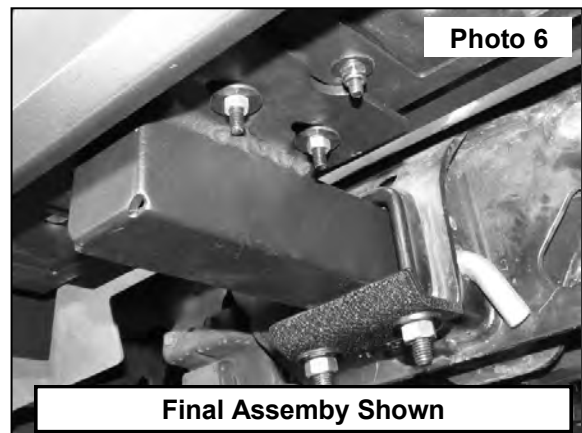
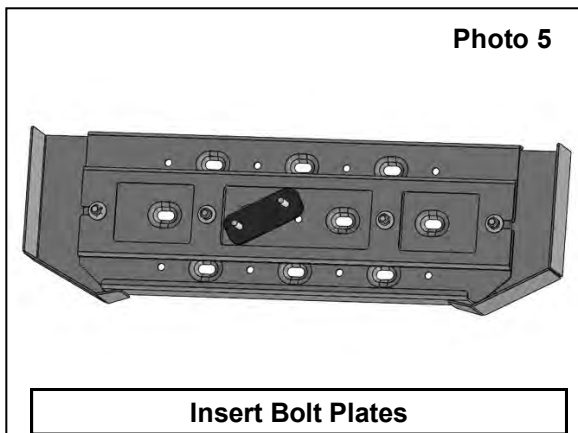
1. Locate the tow hitch below the rear bumper. **See Photo 1.**
2. Assemble the step hitch bracket with the L-shaped bracket and supplied u-bolt / hardware. **See Photo 2.**



3. Insert the hitch tube step bracket in the receiver and align the holes in the tube with the mounting holes on the Bracket. **NOTE:** There are 3 mounting holes available for pin adjustment. Insert the hitch pin through the receiver tube and step tube bracket hole. Secure in place with the supplied hitch pin. **See Photo 3.**
4. Place the L Bracket under the draw bar and up against the end of the receiver hitch. Insert the supplied 10mm U-bolt over the tube and down through the L Bracket. Secure using the supplied 10mm Flat Washers x 2 and 10mm Nylon lock nuts x 2 to secure the Bracket to the hitch. **NOTE:** The L Bracket is used to help prevent rattling. Do not tighten hardware at this time. **See Photo 3.** Assembled base shown in **Photo 4.**



5. Insert the supplied supplied 6mm bolt plates x 2 into the channels in the bottom of the Hitch Step. Raise the Step up and slide the Bolt Plates down through the slots in the base assembly. **See Photo 5.**
6. Secure the step to the base assembly with the supplied 6mm Flat Washers x 4, 6mm Lock Washers x 4 and 6mm hex Nuts x 4. Do not fully tighten hardware at this time. Level and adjust the Hitch Step to the Draw Bar as necessary and fully tighten all hardware. **See Photo 6.**



By purchasing any item sold by Rough Country, LLC, the buyer expressly warrants that he/she is in compliance with all applicable, State, and Local laws and regulations regarding the purchase, ownership, and use of the item. It shall be the buyers responsibility to comply with all Federal, State and Local laws governing the sales of any items listed, illustrated or sold. The buyer expressly agrees to indemnify and hold harmless Rough Country, LLC for all claims resulting directly or indirectly from the purchase, ownership, or use of the items.