

Builders Series Shocks

COMPACT BELLOWS STYLE

Our compact option features a max diameter of 139.7mm (5.5") and a max load capacity of up to 775kg (1,709 lbs.) at 100 PSI to support the front or rear end of most vehicles when clearance and load are of equal concern.

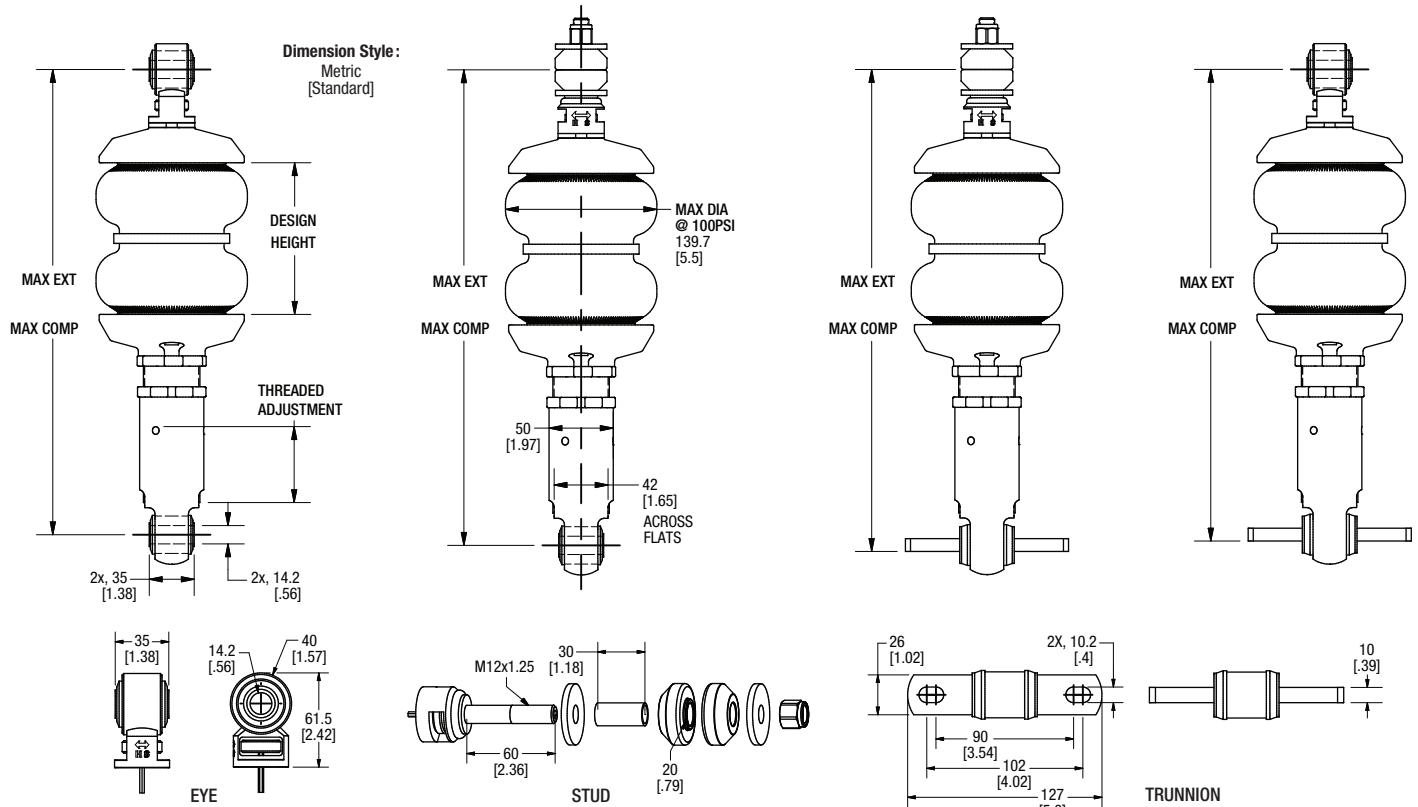
MAX DIA: 139.7mm / 5.5in

FITTING SIZE (NPT): 1/8

AIR SPRING: 2B5



MOUNTING OPTIONS	EYE TO EYE			EYE TO STUD			TRUNNION TO STUD			TRUNNION TO EYE		
	SHORT	MED	LONG	SHORT	MED	LONG	SHORT	MED	LONG	SHORT	MED	LONG
SHOCK LENGTH												
PART NUMBER	78589	78590	78591	78689	78690	78691	78789	78790	78791	78889	78890	78891
MAX EXTENSION	317-354mm 12.54-13.94in	362-421mm 14.25-16.57in	407-486mm 16.02-19.13in	325-362mm 2.80-14.25in	370-429mm 14.57-16.89in	415-494mm 16.34-19.45in	330-367mm 12.99-14.45in	375-434mm 14.76-17.09in	420-499mm 16.54-19.65in	322-359mm 12.68-14.13in	367-426mm 14.45-16.77in	412-491mm 16.22-19.33in
MAX COMPRESSION	254-291mm 10-11.46in	279-338mm 10.98-13.31in	304-383mm 11.97-15.08in	262-299mm 10.31-11.77in	287-346mm 11.30-13.62in	312-391mm 12.28-15.39in	267-304mm 10.51-11.97in	292-351mm 11.50-13.82in	317-396mm 12.48-15.59in	259-296mm 10.20-11.65in	284-343mm 11.18-13.50in	309-388mm 12.17-15.28in
TOTAL STROKE	63mm 2.48in	83mm 3.27in	103mm 4.06in	63mm 2.48in	83mm 3.27in	103mm 4.06in	63mm 2.48in	83mm 3.27in	103mm 4.06in	63mm 2.48in	83mm 3.27in	103mm 4.06in
DESIGN HEIGHT	66.5mm 2.62in	76.5mm 3.01in	86.5mm 3.46in	66.5mm 2.62in	76.5mm 3.01in	86.5mm 3.46in	66.5mm 2.62in	76.5mm 3.01in	86.5mm 3.46in	66.5mm 2.62in	76.5mm 3.01in	86.5mm 3.46in
THREADED ADJUSTMENT	37mm 1.46in	59mm 2.32in	79mm 3.11in	37mm 1.46in	59mm 2.32in	79mm 3.11in	37mm 1.46in	59mm 2.32in	79mm 3.11in	37mm 1.46in	59mm 2.32in	79mm 3.11in
MAX LOAD @100 PSI	775kg 1709lbs	596kg 1315lbs	536kg 1181lbs	775kg 1709lbs	596kg 1315lbs	536kg 1181lbs	775kg 1709lbs	596kg 1315lbs	536kg 1181lbs	775kg 1709lbs	596kg 1315lbs	536kg 1181lbs



airliftperformance.com
1.800.248.0892

EXPORT:
export@airliftcompany.com

CUSTOMER SERVICE:
service@airliftcompany.com

Builders Series Shocks

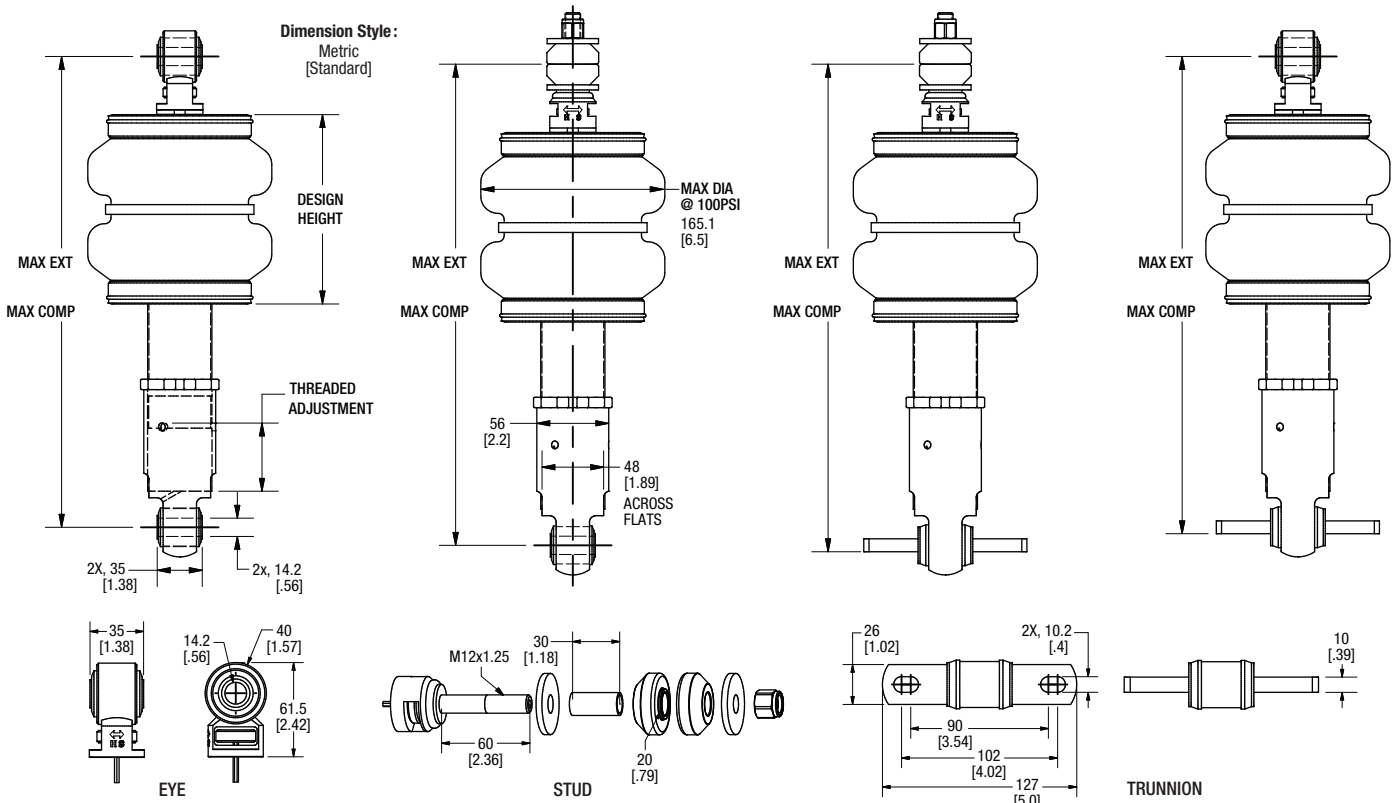
STANDARD BELLOWS STYLE

When weight matters most, our standard option features a max diameter of 165.1mm (6.5") and a max load capacity of up to 914kg (2,016 lbs.) at 100 PSI to support the front end of most vehicles.

MAX DIA: 165.1mm / 6.5in
FITTING SIZE (NPT): 1/4
AIR SPRING: 2B6



MOUNTING OPTIONS	EYE TO EYE			EYE TO STUD			TRUNNION TO STUD			TRUNNION TO EYE		
	SHORT	MED	LONG	SHORT	MED	LONG	SHORT	MED	LONG	SHORT	MED	LONG
SHOCK LENGTH												
PART NUMBER	78592	78593	78594	78692	78693	78694	78792	78793	78794	78892	78893	78894
MAX EXTENSION	321-357mm 12.64-14.06in	366-424mm 14.41-16.69in	411-489mm 16.18-19.25in	329-365mm 12.95-14.37in	374-432mm 14.72-17.01in	419-497mm 16.50-19.57in	334-370mm 13.15-14.57in	374-437mm 14.72-17.20in	424-502mm 16.69-19.76in	326-362mm 12.83-14.25in	371-429mm 14.61-16.89in	416-494mm 16.38-19.45in
MAX COMPRESSION	262-298mm 10.31-11.73in	287-345mm 11.30-13.58in	312-390mm 12.28-15.35in	270-306mm 10.63-12.05in	295-353mm 11.61-13.90in	320-398mm 12.60-15.67in	275-311mm 10.83-12.24in	295-353mm 11.61-13.90in	325-403mm 12.80-15.87in	267-303mm 10.51-11.93in	292-350mm 11.50-13.78in	317-395mm 12.48-15.55in
TOTAL STROKE	59mm 2.32in	79mm 3.11in	99mm 3.90in	59mm 2.32in	79mm 3.11in	99mm 3.90in	59mm 2.32in	79mm 3.11in	99mm 3.90in	59mm 2.32in	79mm 3.11in	99mm 3.90in
DESIGN HEIGHT	97.6mm 3.84in	107.6mm 4.23in	117.6mm 4.63in	97.6mm 3.84in	107.6mm 4.23in	117.6mm 4.63in	97.6mm 3.84in	107.6mm 4.23in	117.6mm 4.63in	97.6mm 3.84in	107.6mm 4.23in	117.6mm 4.63in
THREADED ADJUSTMENT	36mm 1.42in	58mm 2.28in	78mm 3.07in	36mm 1.42in	58mm 2.28in	78mm 3.07in	36mm 1.42in	58mm 2.28in	78mm 3.07in	36mm 1.42in	58mm 2.28in	78mm 3.07in
MAX LOAD @100 PSI	914kg 2016lbs	876kg 1931lbs	831kg 1833lbs	914kg 2016lbs	876kg 1931lbs	831kg 1833lbs	914kg 2016lbs	876kg 1931lbs	831kg 1833lbs	914kg 2016lbs	876kg 1931lbs	831kg 1833lbs



airliftperformance.com
1.800.248.0892

EXPORT:
export@airliftcompany.com

CUSTOMER SERVICE:
service@airliftcompany.com

Builders Series Shocks

SLEEVE STYLE

Perfect for the rear of the vehicle, our sleeve style air springs feature a max diameter of 129.5mm (5.1") and a max load capacity of 554kg (1,222 lbs.) at 100 PSI, all of which ensures a smooth and comfortable ride.

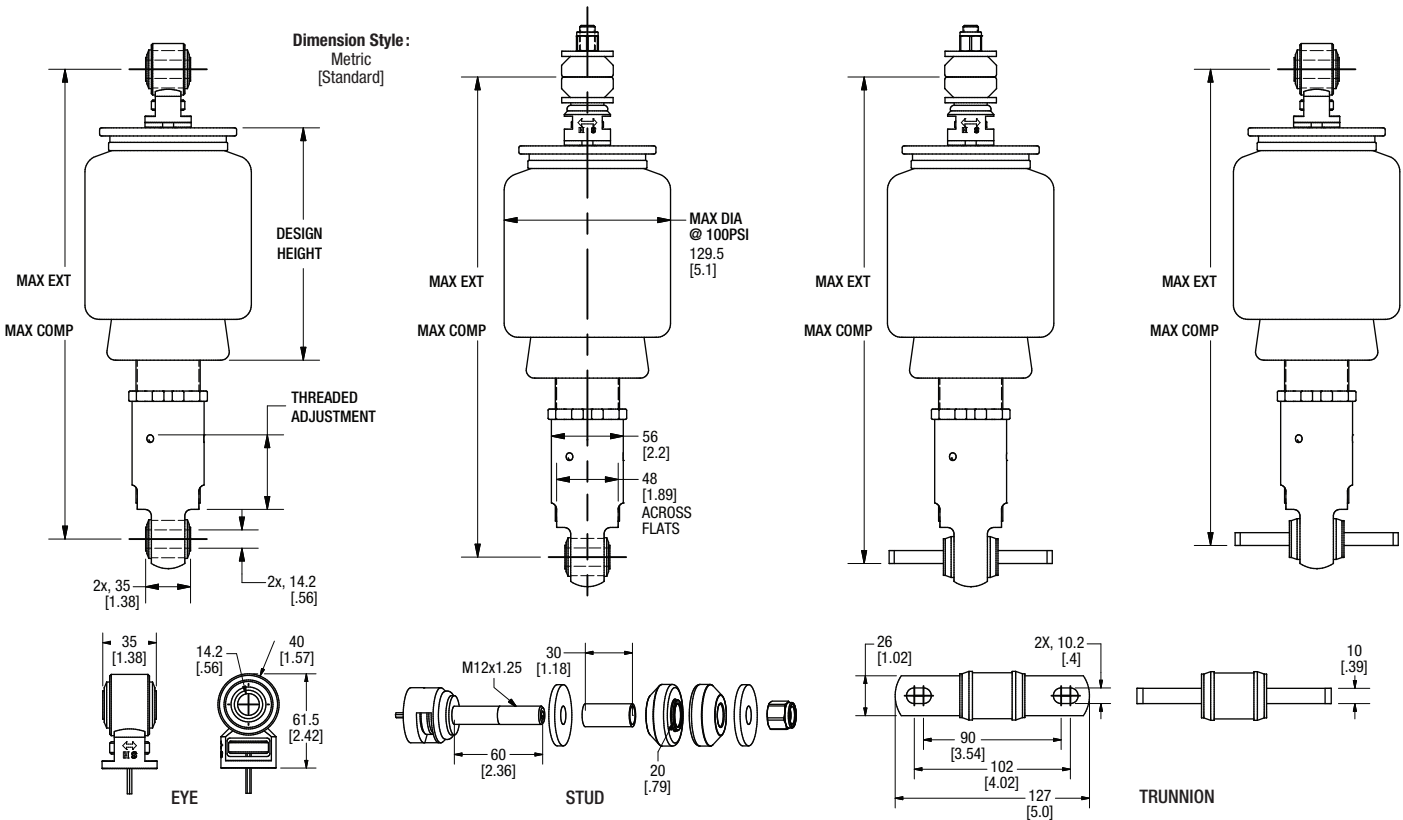
MAX DIA: 129.5mm / 5.1in

FITTING SIZE (NPT): 1/4

AIR SPRING: Sleeve



MOUNTING OPTIONS	EYE TO EYE			EYE TO STUD			TRUNNION TO STUD			TRUNNION TO EYE		
	SHORT	MED	LONG	SHORT	MED	LONG	SHORT	MED	LONG	SHORT	MED	LONG
SHOCK LENGTH												
PART NUMBER	78595	78596	78597	78695	78696	78697	78795	78796	78797	78895	78896	78897
MAX EXTENSION	321-357mm 12.64-14.06in	366-424mm 14.41-16.69in	411-489mm 16.18-19.25in	329-365mm 12.95-14.37in	374-432mm 14.72-17.01in	419-497mm 16.50-19.57in	334-370mm 13.15-14.57in	374-437mm 14.72-17.20in	424-502mm 16.69-19.76in	326-362mm 12.83-14.25in	371-429mm 14.61-16.89in	416-494mm 16.38-19.45in
MAX COMPRESSION	262-298mm 10.31-11.73in	287-345mm 11.30-13.58in	312-390mm 12.28-15.35in	270-306mm 10.63-12.05in	295-353mm 11.61-13.90in	320-398mm 12.60-15.67in	275-311mm 10.83-12.24in	295-353mm 11.61-13.90in	325-403mm 12.80-15.87in	267-303mm 10.51-11.93in	292-350mm 11.50-13.78in	317-395mm 12.48-15.55in
TOTAL STROKE	59mm 2.32in	79mm 3.11in	99mm 3.90in	59mm 2.32in	79mm 3.11in	99mm 3.90in	59mm 2.32in	79mm 3.11in	99mm 3.90in	59mm 2.32in	79mm 3.11in	99mm 3.90in
DESIGN HEIGHT	131mm 5.16in	141mm 5.55in	151mm 5.95in	131mm 5.16in	141mm 5.55in	151mm 5.95in	131mm 5.16in	141mm 5.55in	151mm 5.95in	131mm 5.16in	141mm 5.55in	151mm 5.95in
THREADED ADJUSTMENT	36mm 1.42in	58mm 2.28in	78mm 3.07in	36mm 1.42in	58mm 2.28in	78mm 3.07in	36mm 1.42in	58mm 2.28in	78mm 3.07in	36mm 1.42in	58mm 2.28in	78mm 3.07in
MAX LOAD @100 PSI	554kg 1222lbs	540kg 1192lbs	545kg 1203lbs	554kg 1222lbs	540kg 1192lbs	545kg 1203lbs	554kg 1222lbs	540kg 1192lbs	545kg 1203lbs	554kg 1222lbs	540kg 1192lbs	545kg 1203lbs



airliftperformance.com
1.800.248.0892

EXPORT:
export@airliftcompany.com

CUSTOMER SERVICE:
service@airliftcompany.com