



Installation Instructions *Rev.01*

LOAD LEVELING KIT 88-13130 RAM 3500 (2013+)

READ INSTRUCTIONS THOROUGHLY
AND COMPLETELY BEFORE INSTALLATION.

INSTALLATION BY A CERTIFIED
PROFESSIONAL MECHANIC IS HIGHLY RECOMMENDED.

LOGIQ™ IS NOT RESPONSIBLE FOR ANY DAMAGE
OR FAILURE RESULTING FROM IMPROPER INSTALLATION.

WARRANTY

LOGIQ™ provides a limited lifetime warranty to the original purchaser of products, that the product be free from defects in workmanship and materials when used on cars and trucks as specified by LOGIQ™ and under normal operating conditions. This warranty is subject to the requirements and exclusions set forth in the full Limited Warranty and Return Policy that is available at logiqair.com/warranty. Air compressors are a wearing component and are covered by a 2-year warranty from the date of purchase. The warranty does not provide coverage for abuse, operation in a manner not consistent with the product's design, or damage resulting from exposure to the elements.



WARNING & DISCLAIMERS

By installing this product you acknowledge that the suspension of this vehicle has been modified. As a result, this vehicle may handle differently than that of factory-equipped vehicles. As with any vehicle, extreme care must be used to prevent loss of control or roll-over during sharp turns or abrupt maneuvers. Always wear seat belts, and drive safely, recognizing that reduced speeds and specialized driving techniques may be required. Failure to drive this vehicle safely may result in serious injury or death. Do not drive this vehicle unless you are familiar with its unique handling characteristics and are confident of your ability to maintain control under all driving conditions. Some modifications (and combinations of modifications) are not recommended and may not be permitted in your state. Consult your owner's manual, the instructions accompanying this product, and state laws before undertaking these modifications. You are responsible for the legality and safety of the vehicle you modify using these components.



Installation Instructions
LOAD LEVELING KIT
 88-13130 RAM 3500 (2013+)

TOOLS REQUIRED
SAFETY GLASSES
JACK STAND (2)
FLOOR JACK OR LIFT
NEEDLE NOSE PLIERS
TRIM REMOVAL TOOL
TORQUE WRENCH
DRILL AND 5/16" DRILL BIT
AIR LINE CUTTER (RAZOR BLADE)
3/8" DRIVE RATCHET
3/4" WRENCH
3/4" CROWSFOOT
3/16" ALLEN SOCKET
12MM WRENCH (2)
16MM SOCKET
17MM SOCKET

QTY	PARTS INCLUDED
1	DRIVER SIDE AIR SPRING ASSEMBLY
1	PASSENGER SIDE AIR SPRING ASSEMBLY
HARDWARE KIT CONTENTS	
2	BUMP STOP SPACER
12	UPPER BRACKET SHIM
4	M10 - 1.5 X 100MM HEX HEAD BOLT
4	M10 FLAT WASHER
2	1/2" - 13 AXLE U-BOLT
4	1/2" FLAT WASHER
4	1/2" - 13 NYLON LOCKING NUT
1	E-BRAKE CABLE RELOCATION BRACKET BASE
1	E-BRAKE CABLE RELOCATION BRACKET CAP
1	1/4" - 20 X 1.75" SOCKET HEAD CAP SCREW
1	1/4" - 20 X 1" SOCKET HEAD CAP SCREW
1	1/4" - 20 X .50" SOCKET HEAD CAP SCREW
1	2ML RED THREADLOCKER PACKET
1	HEAT WRAP
2	HOSE CLAMP
MANUAL INFLATION KIT CONTENTS	
16	8" ZIP TIES
2	INFLATION VALVE TO 1/4" PTC FITTING
1	16' ROLL 1/4" AIRLINE

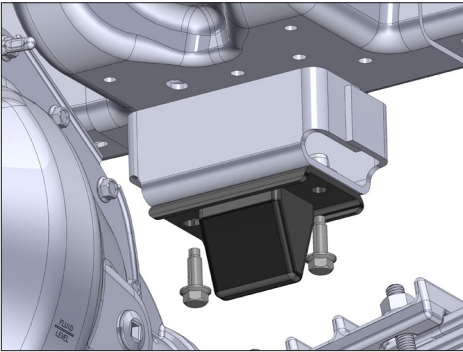
APPLICATION NOTES
TRUCK COMPATIBILITY
NOT COMPATIBLE WITH TRUCKS EQUIPPED WITH FACTORY AIR SUSPENSION
5TH WHEEL COMPATIBILITY
COMPATIBLE WITH ALL 5 TH WHEEL HITCHES

STEP 1 PREPARE TRUCK

Note original ride height measurement from center of rear fender arch to ground.

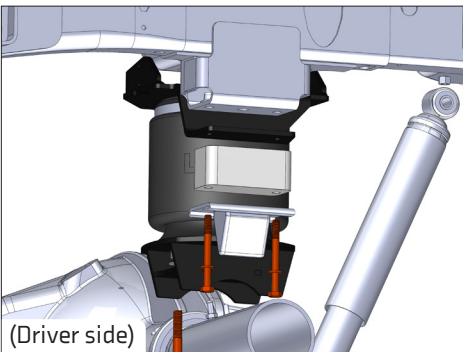
Safely lift truck and support with jack stands under axle. Remove the rear wheels.

STEP 2 REMOVE BUMP STOPS



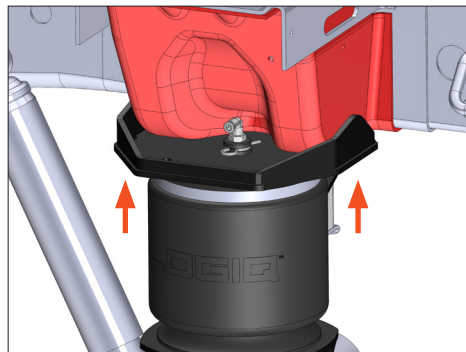
Un-bolt bump stops from both sides of the truck using a 16mm socket.

STEP 3 MOUNT AIR SPRING ASSEMBLY

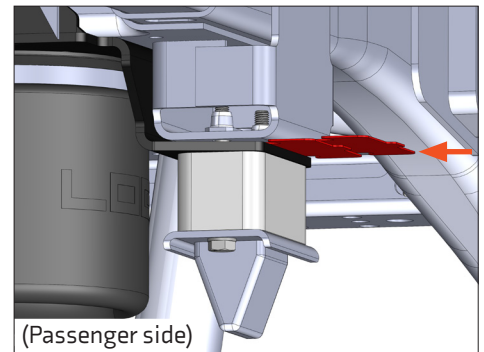


Attach the upper bracket, bump stop spacer, and factory bump stop to the bump stop perch with the supplied M10 bolts and washers as shown.

Apply some of the provided thread locker to each bolt before installing.



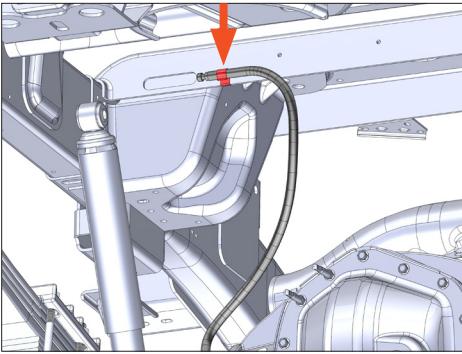
Before snugging the bolts, push the upper bracket up so it is in contact with the crossmember.



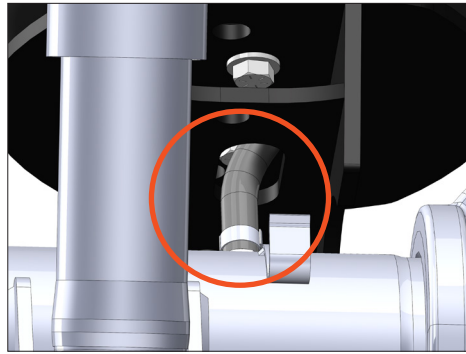
Fill in the gap between the upper bracket and the bump stop perch with as many of the provided shims as necessary.

Repeat process for passenger side.

STEP 4 DIFFERENTIAL BREATHER LINE



Detach the differential breather line from its anchor point on the frame shown. (On the driver side of the axle)



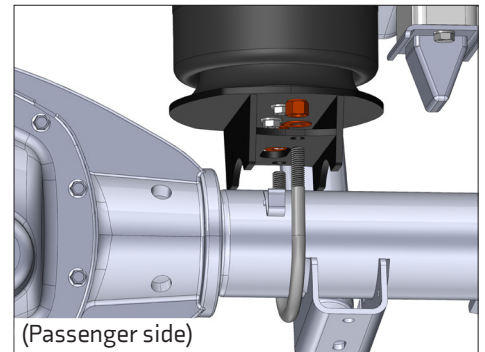
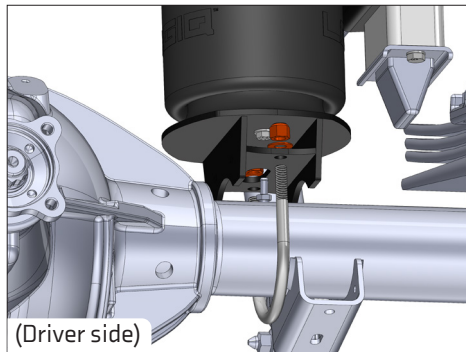
Route the breather line through the slot in the middle of the driver side lower bracket.

STEP 5 ATTACH LOWER BRACKET

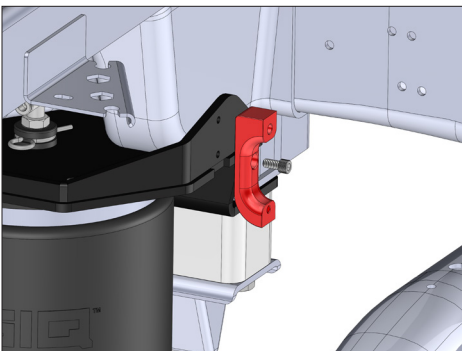
Attach the lower bracket to the axle using the supplied U-bolt, washers and nuts.

Be sure to use a wrench and not a socket to snug the U-bolt nuts.

Re-attach the breather line anchor point to its original location on the frame once the driver side lower bracket is secured.

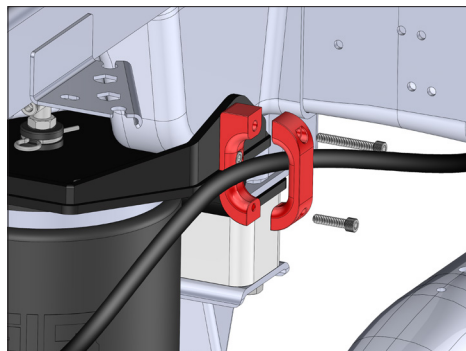


STEP 6 BRAKE LINE RELOCATION BRACKET



Install the E-brake relocation bracket on the driver side upper bracket using the supplied 1/4" hardware.

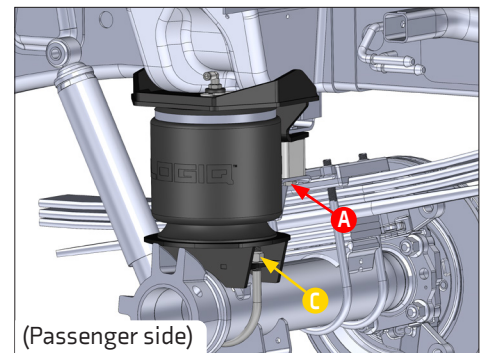
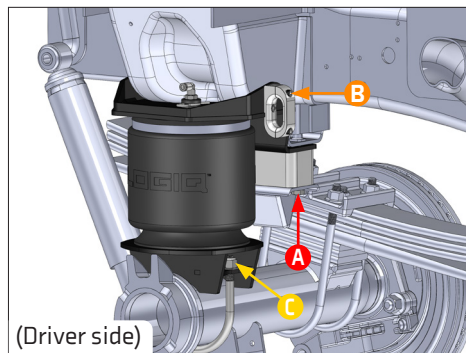
The base piece of the bracket gets attached to the upper bracket first with the .50" long screw. Torque the screw to **7 FT.LB.** using a 3/16" allen socket.



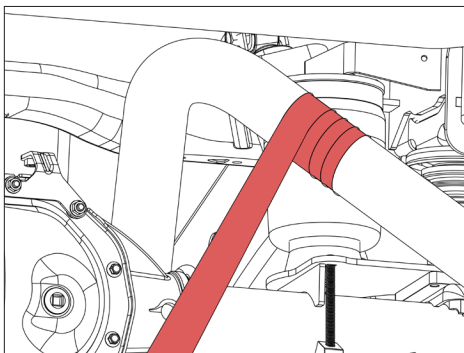
Route the E-brake cable through the middle of the base bracket. Secure the cap piece of the bracket to the base with the other two 1/4" screws (longer of the two goes in the top hole) to capture the E-brake cable.

STEP 7 TORQUE HARDWARE

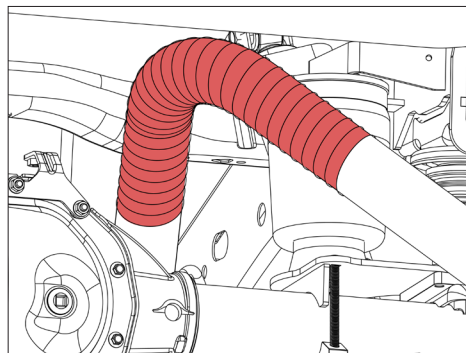
- A** Torque Upper bracket first. Torque the M10 bolts to **40 FT. LB.** using a 17MM socket.
- B** Torque the rest of the E-brake relocation bracket hardware to **7 FT. LB.** using a 3/16" allen socket.
- C** Torque lower bracket hardware to **75 FT. LB.** using a 3/4" crowsfoot.



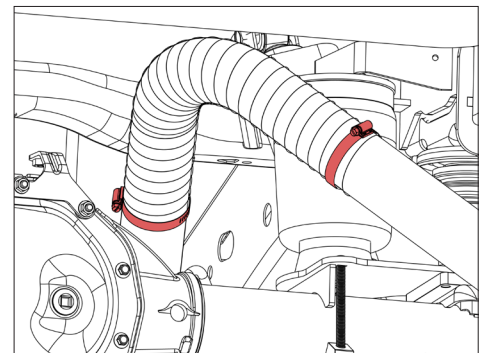
STEP 8 APPLY HEAT WRAP



Begin 12 inches behind the air spring and wrap toward the front of the vehicle.



Ensure you have overlap that is about half the thickness of the heat wrap like shown.



Once the **whole roll** has been wrapped onto the exhaust, attach the provided hose clamps to each end of the wrap as shown.

Ensure the wrap extends at-least 12 inches in front and behind the air spring (more is better if there is enough wrap).

Trim any excess clamp stick-out with a pair of metal snips.

STEP 9 AIR LINE ROUTING

When used with an on-board air management system, refer to the on-board air management system installation instructions before routing the air lines.

When not using an on-board air management system, mount inflation valves at desired location using 5/16" drill bit.

Route air line from each inflation valve to each air fitting on both of the air spring assemblies. **Avoid hot exhaust and sharp edges. Cut air line square and free from burrs with air line cutter or razor blade!**

STEP 10 FINAL SAFETY CHECKS

Check for leaks at fittings with soapy water.

Verify all fasters are torqued properly.

Verify at least 10 PSI in air spring before driving.



WARNING & DISCLAIMERS CONTINUED

Safety Warnings

MISUSE OF THIS PRODUCT COULD LEAD TO INJURY OR DEATH.

Suspension systems or components that enhance the on and off-road performance of your vehicle may cause it to handle differently than it did from the factory. Extreme care must be used to prevent loss of control during abrupt maneuvers.

Always operate your vehicle at reduced speeds to ensure your ability to control your vehicle under all driving conditions. Failure to drive safely may result in serious injury or death.

Driver and passengers must **ALWAYS** wear seat belts, avoid quick sharp turns and other sudden maneuvers. LOGIQ™ does not recommend the combined use of suspension lifts, body lifts, or other lifting devices.

You should never operate your vehicle under the influence of alcohol or drugs.

Constant maintenance is required to keep your vehicle safe. Thoroughly inspect your vehicle before and after every off-road use.

It is the responsibility of the retailer and/or the installer to review all state and local laws, with the end user of this product, related to bumper height laws and the lifting of their vehicle before the purchase and installation of any LOGIQ™ products.

Raised vehicles have altered viewing angles than stock vehicles. This can lead to larger or different blind spots than the driver is accustomed. It is the responsibility of the driver to be aware of this and check their surroundings at all times while the vehicle is in motion and immediately prior to operating vehicle. Failure to do so can lead to damages, injury, or death.

Installation Warning

All steps and procedures described in these instructions were performed while the vehicle was properly supported on a two post vehicle lift with safety jacks.

Use caution during all disassembly and assembly steps to ensure suspension components are not over extended causing damage to any vehicle components and parts included in this kit.

Included instructions are guidelines only for recommended procedures and are not meant to be definitive. Installer is responsible to insure a safe and controllable vehicle after performing modifications.

LOGIQ™ recommends the use of an OE Service Manual for model/year of vehicle when disassembly and assembly of factory and related components.

Unless otherwise specified, tighten all bolts and fasteners to standard torque specifications listed within the OE Service Manual.

Suspension components that use rubber or urethane bushings should be tightened with the vehicle at normal ride height. This will prevent premature wear or failure of the bushing and maintain ride comfort.

Larger tire and wheel combinations may increase leverage on suspension, steering, and related components.

Due to payload options and initial ride height variances, the amount of lift/lower is a base figure. Final ride height dimensions may vary in accordance to original vehicle ride height. Always measure the vehicle ride height prior to beginning installation.



WARNING & DISCLAIMERS

SAEJ2492 Warning

By installing this product, you acknowledge that the suspension of this vehicle has been modified. As a result, this vehicle may handle differently than that of factory-equipped vehicles. As with any vehicle, extreme care must be used to prevent loss of control or roll-over during sharp turns or abrupt maneuvers. Always wear seat belts, and drive safely, recognizing that reduced speeds and specialized driving techniques may be required. Failure to drive this vehicle safely may result in serious injury or death. Do not drive this vehicle unless you are familiar with its unique handling characteristics and are confident of your ability to maintain control under all driving conditions. Some modifications (and combinations of modifications) are not recommended and may not be permitted in your state. Consult your owner's manual, the instructions accompanying this product, and state laws before undertaking these modifications. You are responsible for the legality and safety of the vehicle you modify using these components.

Headlamp Warning

A lifted or lowered vehicle may have different headlight aim performance. LOGIQ™ recommends marking and recording the headlight beam position before kit installation and then adjusting, if necessary, the headlamps to the same height settings after kit installation. Set the vehicle on a level surface 10' to 15' from a solid wall or garage door. (This is a general distance with some manufacturers requiring different distances.) Note the top height of the low beam's bright spot, the top of the most intense part of the beam, for driver and passenger side. Height may vary from side to side. Repeat this procedure and adjust after lift kit is installed. Adjust if the aim is off by turning the adjusters gradually (a quarter of a turn) and looking to see where the new alignment falls. It may be easier to block one headlamp while adjusting the other. Consult the owner operation manual for procedures to adjust headlights - many automakers offer headlight aiming specs. Some states have their own specifications when it comes to headlight aim, so it's best to follow those rules when aligning headlights.

FAILURE TO PERFORM THE POST INSPECTION CHECKS MAY RESULT IN VEHICLE COMPONENT DAMAGE AND/OR PERSONAL INJURY OR DEATH TO THE DRIVER AND/OR OTHERS.

Final Checks & Adjustments

Once the vehicle is lowered to the ground, check all parts which have rubber or urethane components to ensure proper torque. Torque lug nuts to the wheel manufacturer specs. Move vehicle backwards and forwards a short distance to allow suspension components to adjust. Turn the front wheels completely left then right and verify adequate tire, wheel, brake line, and ABS wire clearance. Test and inspect steering, brake and suspension components for tightness and proper operation. Inspect brake hoses and ABS lines for adequate slack at full extension, adjust as necessary.

RECHECK ALL HARDWARE FOR PROPER TORQUE VALUES AFTER 500 MILES, AND THEN PERIODICALLY AT EACH SERVICE INTERVAL THEREAFTER.

Vehicle Handling Warning

Increasing the height of your vehicle raises the center of gravity and can affect stability and control. Use caution on turns and when making steering corrections.

Vehicles with larger tires and wheels will handle differently than stock vehicles. Take time to familiarize yourself with the handling of your vehicle.

Wheel Alignment/Headlamp Adjustment

It is necessary to have a proper and professional wheel alignment performed by a certified alignment technician. Align the vehicle to factory specifications. It is recommended that your vehicle alignment be checked after any off-road driving.

In addition to your vehicle alignment, for your safety and others, it is necessary to check and adjust your vehicle headlamps for proper aim and alignment. If the vehicle is equipped with active or passive safety/collision monitoring and/or avoidance systems including, but not limited to, camera- or radar-based systems, check and adjust your vehicle's systems for proper aim and function.