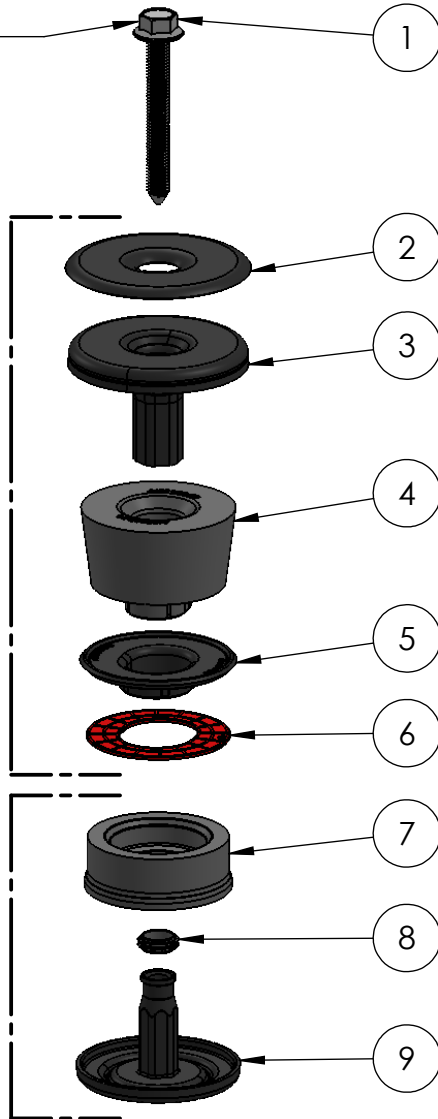


PROPRIETARY AND CONFIDENTIAL  
 THE INFORMATION CONTAINED IN THIS DRAWING IS THE SOLE PROPERTY  
 OF S&B FILTERS, INC. ANY REPRODUCTION IN PART OR AS A WHOLE  
 WITHOUT THE WRITTEN PERMISSION OF S&B FILTERS, INC. IS PROHIBITED.

INSTALL SCREWS FROM  
 INSIDE THE CAB,  
 TORQUE TO 60 FT-LBS



THESE COMPONENTS GO  
 ON TOP OF THE FRAME  
 MOUNTING TAB

THESE COMPONENTS GO  
 UNDERNEATH THE FRAME  
 MOUNTING TAB

ITEM NO.	PartNo	DESCRIPTION	QTY.
1	W711305-S439	M12 X 1.75 X 95 SCREW	1
2	AI2306-00	PLASTIC SHIM	1
3	AI2186-00	UPPER CUP	1
4	AI2314C-00	UPPER ISOLATOR	1
5	AI2316-00	UPPER ISOLATOR CAP	1
6	AI2315C-00	SILICONE SHIM	1
7	AI2180C-00	LOWER ISOLATOR	1
8	AI2179-00	CUP SEAL	1
9	AI2185-00	LOWER CUP	1

NOTE: TEN (10) OF THESE ASSEMBLIES  
 ARE USED FOR THE EXCURSION

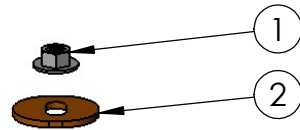
INSTALL COMPONENTS IN THE CORRECT LOCATION  
 ACCORDING TO THIS DIAGRAM. COMPONENTS INSTALLED  
 INCORRECTLY WILL CAUSE CLUNKING NOISE AND MAY  
 RESULT IN DAMAGE TO THE VEHICLE. USE HAND TOOLS ONLY  
 TO REMOVE OR INSTALL BOLTS! USING AN IMPACT WRENCH  
 MAY RESULT IN DAMAGE TO THE BOLTS OR THREADED HOLES.

Warning: Qualified professional installation of this product in  
 accordance with Ford service procedures using proper  
 equipment is required.

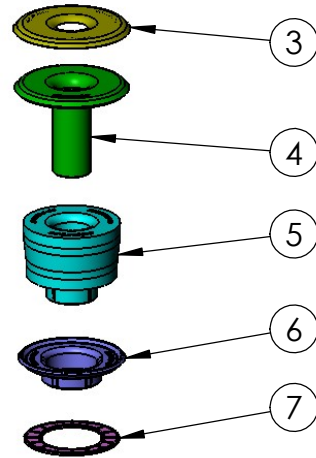
S&B shall not be liable for any loss, damage, including any  
 incidental or consequential damages, fire, explosion, injury,  
 or death as a result of self-installation of this product.  
 The S&B Warranty will be voided if this product is not installed  
 by a qualified professional or if an impact wrench is used.

Visit [sbfilters.com](http://sbfilters.com) for warranty and other information.

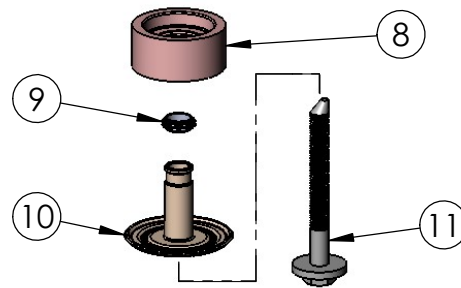
THESE COMPONENTS GO  
INSIDE THE ENGINE BAY



THESE COMPONENTS GO  
ON TOP OF THE BOXED FRAME



THESE COMPONENTS GO  
INSIDE THE BOXED FRAME



ITEM NO.	PartNo	DESCRIPTION	QTY.
1	AI2406-00	FORD N801995-S436 (M12 LOCKING NUT W/ WASHER)	1
2	AI2405-00	UPPER WASHER	1
3	AI2404-00	PLASTIC SHIM	1
4	AI2403-00	UPPER CUP	1
5	AI2399C-00	UPPER ISOLATOR	1
6	AI2400-00	PLASTIC CAP	1
7	AI2401C-00	SILICONE SHIM	1
8	AI2398C-00	LOWER ISOLATOR	1
9	AI2179-00	CUP SEAL	1
10	AI2402-00	LOWER CUP	1
11	AI2204-00	FORD W712879-S439	1

TORQUE NUT TO 60 FT-LBS.

INSTALL COMPONENTS IN THE CORRECT LOCATION  
ACCORDING TO THIS DIAGRAM. COMPONENTS  
INSTALLED INCORRECTLY WILL CAUSE CLUNKING  
NOISE AND MAY RESULT IN DAMAGE TO THE VEHICLE.