



**KIT CONTENTS:**

**72110991**

73106BAG1

- 4 - (A) 6mm Nutsert
- 28 - (B) 6mm x 20mm Button Head Bolt
- 16 - (C) 6mm Lock Nut
- 24 - (D) 6mm Flat Washer
- 24 - (E) 8mm x 25mm Button Head Bolt
- 4 - (F) 8mm Flat Washer
- 4 - (G) 8mm Lock Nut

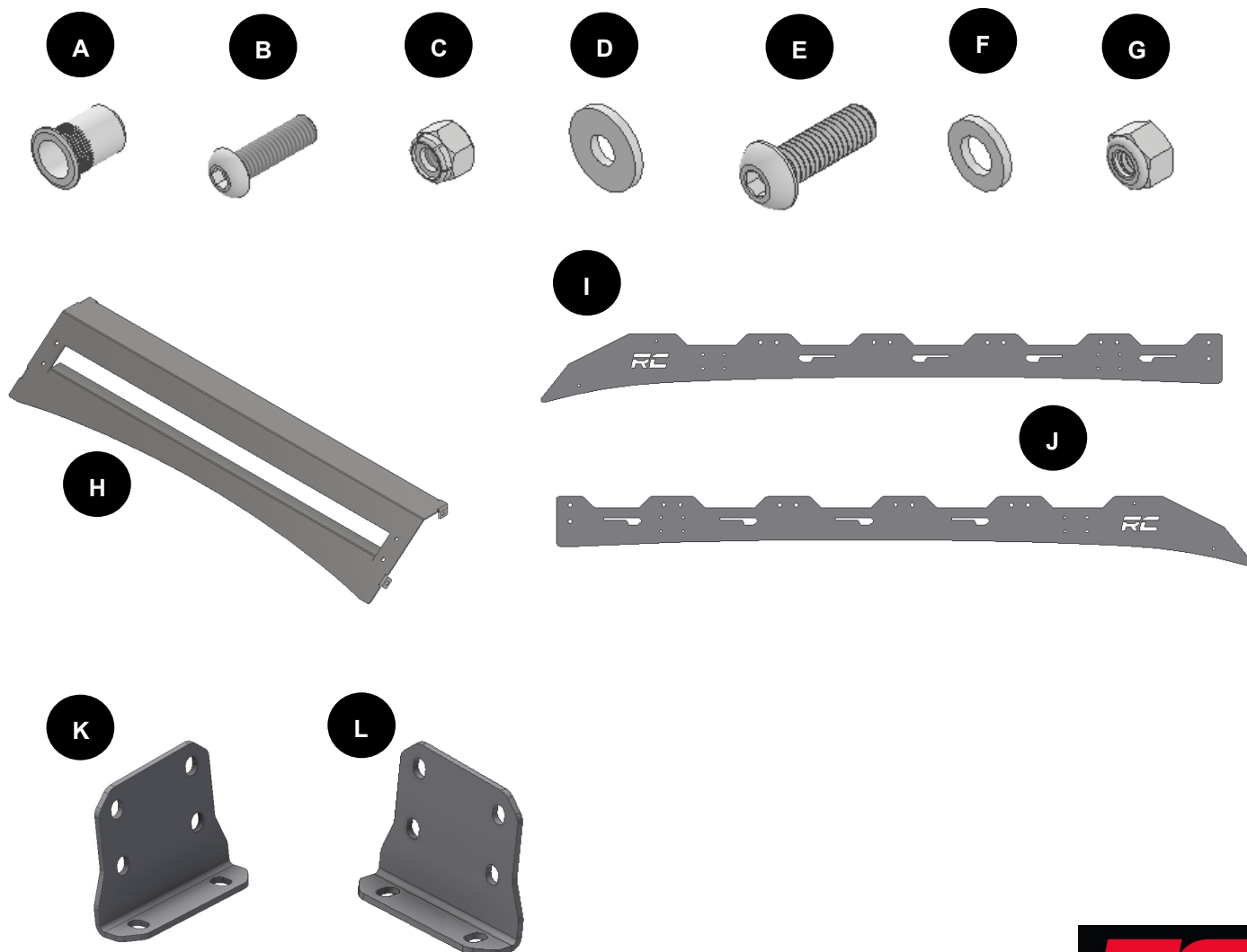
- (H) Roof Rack Front Panel
- (I) Dr Side Rail
- (J) Pass Side Rail
- (K) Dr Front Mount
- (L) Pass Front Mount
- 2 - (M) Rear Mount
- (N) Dr Front Light Bar Bracket
- (O) Pass Front Light Bar Bracket

**72110992**

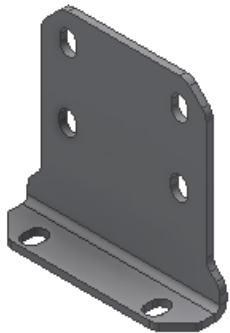
- 4 - (P) Rail
- (Q) Rear Rail
- 15' - Rubber Seal

**TOOLS REQUIRED:**

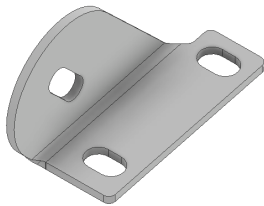
- Painters Tape
- Plastic Pry Tool
- 4mm Allen Wrench
- 5mm Allen Wrench
- 10mm Wrench or Socket
- 13mm Wrench or Socket



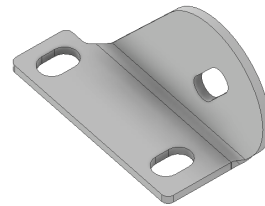
M



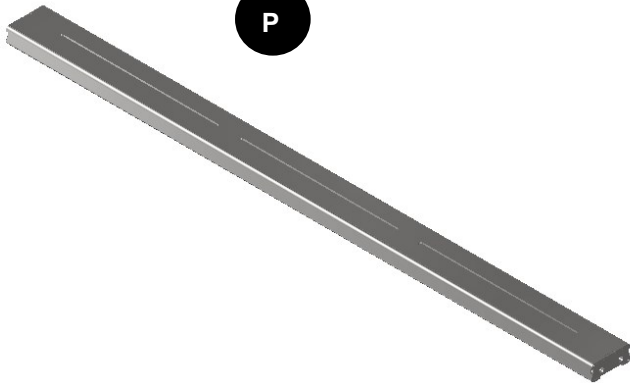
N



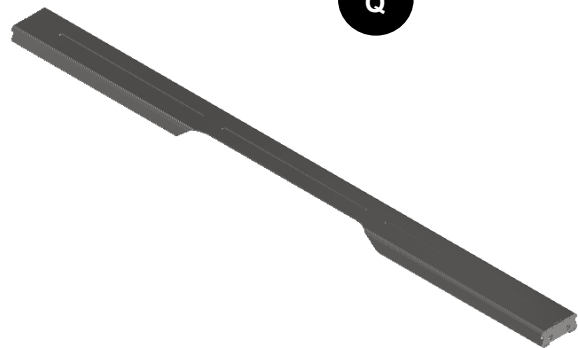
O



P



Q



**Torque Specs:**

Size	Grade 5	Grade 8	Size	Class 8.8	Class 10.9
5/16"	15 ft/lbs	20ft/lbs	6MM	5ft/lbs	9ft/lbs
3/8"	30 ft/lbs	35ft/lbs	8MM	18ft/lbs	23ft/lbs
7/16"	45 ft/lbs	60ft/lbs	10MM	32ft/lbs	45ft/lbs
1/2"	65 ft/lbs	90ft/lbs	12MM	55ft/lbs	75ft/lbs
9/16"	95 ft/lbs	130ft/lbs	14MM	85ft/lbs	120ft/lbs
5/8"	135ft/lbs	175ft/lbs	16MM	130ft/lbs	165ft/lbs
3/4"	185ft/lbs	280ft/lbs	18MM	170ft/lbs	240ft/lbs

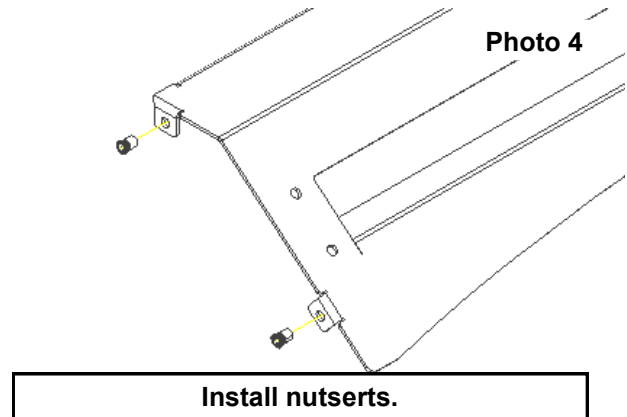
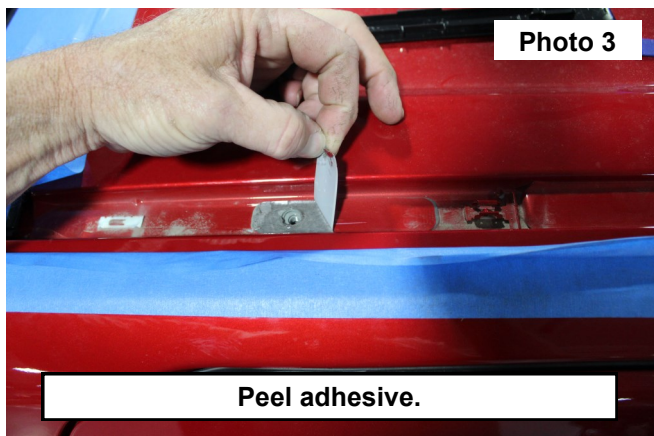


## Installation Instructions

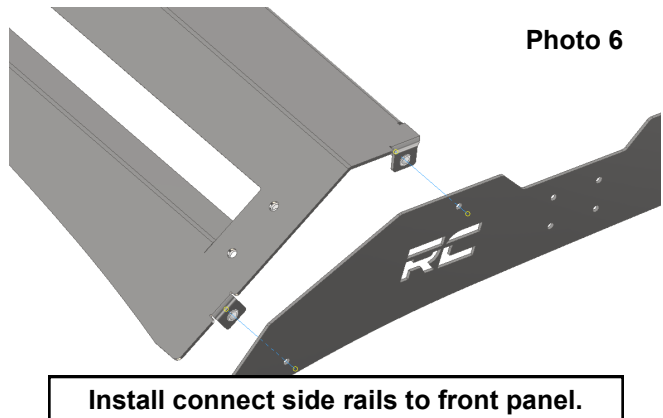
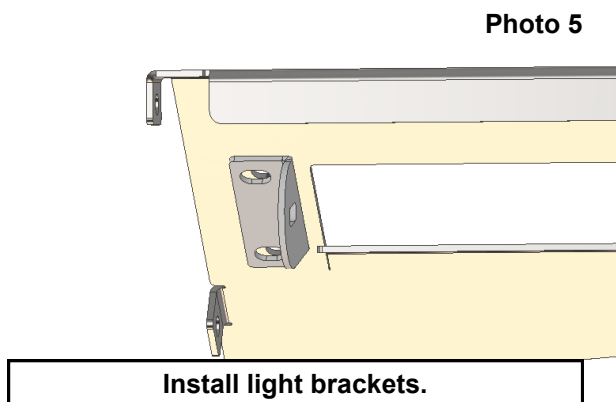
1. Place painters tape around the border of the cab roof. **See Photo 1.**
2. Use a pry tool to remove the four plastic covers in the grooves of the roof. **See Photo 2.**



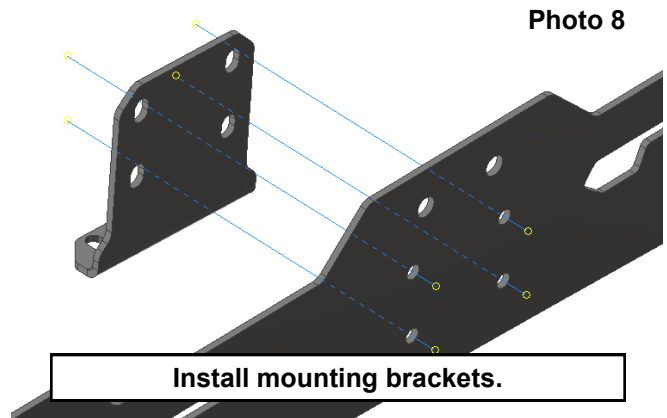
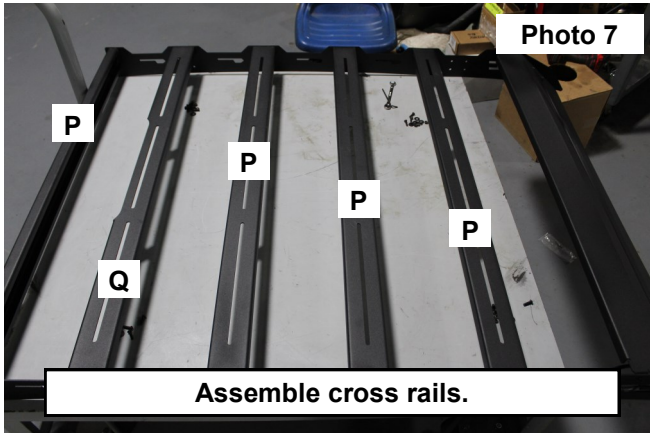
3. Peel the adhesive tape that covers the threaded holes. **See Photo 3.**
4. Install the (4) supplied 6mm nutserts (A) into the tabs of the front panel (H) using a nutsert tool (sold separately) or by using the supplied 6mm x 30mm bolt, washer, and the 8mm nut screw them into a nutsert. Next place the assembly into the hole. Next using a 10mm wrench and a 13mm wrench tighten the bolt while holding the nut with the 13mm wrench. This will compress the nut insert and lock it into place in the hole. **See Photo 4.**



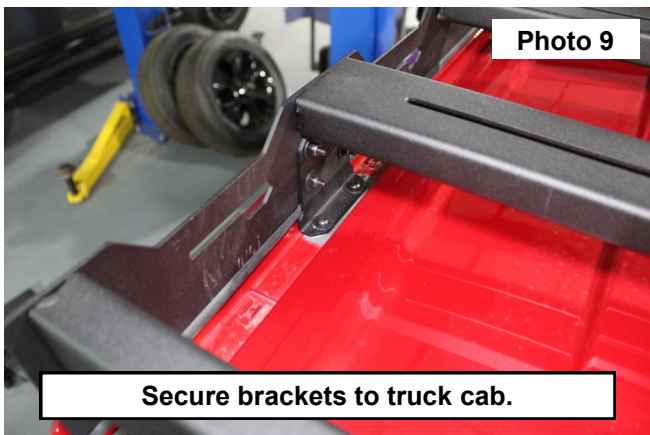
5. Install the light bar brackets (N and O) into the front panel (H) using the supplied 8mm bolts (E), washers (F), and lock nut (G). Tighten with a 5mm Allen wrench and 13mm wrench. **NOTE:** Driver side shown. **See Photo 5.**
6. Install the light bar onto the brackets (N and O) using the hardware from the light bar kit.
7. Use the supplied rubber seal along the bottom edges of the side rails (I and J) as well as the front panel (H).
8. Connect the side rails (I and J) to the front panel (H) using the supplied 6mm bolts (B) and flat washers (D). Loosely tighten with a 4mm Allen wrench. **See Photo 6.**



9. Install the cross rails (P and Q) to the side rails (I and J) as shown in **Photo 7** using the supplied 8mm bolts (E). Loosely tighten with a 5mm Allen wrench.
10. Install the driver front mount (K), passenger front mount (L), and (2) rear mount (M) using the supplied 6mm bolt (B), 6mm lock nut (C), and (2) 6mm flat washer (D). Loosely tighten with a 4mm Allen wrench and 10mm wrench. **See Photo 8.**



11. With assistance, lift the roof rack onto the truck cab and align the mounting brackets to the threaded holes in the cab.
12. Use (2) supplied 6mm bolts (B) and (2) 6mm flat washers (D) for each mounting bracket. Tighten with a 4mm Allen wrench. **See Photo 9.**
13. With assistance, push the roof rack down and towards the truck bed to create a tight seal with the rubber. Tighten all hardware.
14. With the rack installed, wire the light bar to preference.



## POST INSTALLATION

1. Check and recheck all fasteners for proper torque. Check to ensure there is adequate clearance between all rotating, mobile, fixed and heated members. Check clearance between upper control arm and sidewall of tire for proper clearance. Check steering for interference and proper working order. Test brake system.
2. Re torque all fasteners after 500 miles. Visually inspect components and re torque fasteners during routine vehicle service.

## MAINTENANCE INFORMATION

It is the ultimate buyers responsibility to have all bolts/nuts checked for tightness after the first 500 miles and then every 1000 miles. Wheel alignment steering system, suspension and driveline systems must be inspected by a qualified professional mechanic at least every 3000 miles.



**Thank you for choosing Rough Country for your suspension needs.**

By purchasing any item sold by Rough Country, LLC, the buyer expressly warrants that he/she is in compliance with all applicable , State, and Local laws and regulations regarding the purchase, ownership, and use of the item. It shall be the buyers responsibility to comply with all Federal, State and Local laws governing the sales of any items listed, illustrated or sold. The buyer expressly agrees to indemnify and hold harmless Rough Country, LLC for all claims resulting directly or indirectly from the purchase, ownership, or use of the items.

