



3046-3048 – 2013-PRESENT, FORD TRANSIT, REAR FALCON 2.1 MONOTUBE REAR SHOCKS

Version 1.1

General Notes

- For the most up to date and current instructions, please visit our website at www.vancompass.com
- Please read all instructions thoroughly before starting installing Van Compass products.
- This is a bolt on shock kit that can be installed with basic hand tools.
- The installation of the Van Compass tuned Falcon rear shock package can be performed with the vehicle sitting on the ground at ride height, but it is much easier to raise the back of the vehicle to allow the suspension to hang free.
 - Note; it is useful to have a helper operate a floor jack during installation to position the shock into its lower mount. (See step 9)
- This suspension kit can be completely removed, allowing the vehicle to be returned back to stock configuration if desired.

Parts List

3046 – 2013-PRESENT, FORD TRANSIT, FALCON 2.1 MONOTUBE REAR SHOCKS, LIGHT TUNE

- (2) 304601 FORD TRANSIT, FALCON MONOTUBE REAR SHOCKS, LIGHT TUNE

OR

3047 – 2013-PRESENT, FORD TRANSIT, FALCON 2.1 MONOTUBE REAR SHOCKS, MID TUNE

- (2) 304701 FORD TRANSIT, FALCON MONOTUBE REAR SHOCKS, MID TUNE

OR

3048 – 2013-PRESENT, FORD TRANSIT, FALCON 2.1 MONOTUBE REAR SHOCKS, HEAVY TUNE

- (2) 304701 FORD TRANSIT, FALCON MONOTUBE REAR SHOCKS, HEAVY TUNE

Tools Needed

- Quality floor jack
- Simple hand tools:
 - Basic wrench and socket set:
 - Metric sizes: 15mm, 18mm, 21mm
- Torque wrench

Approximate Installation Time

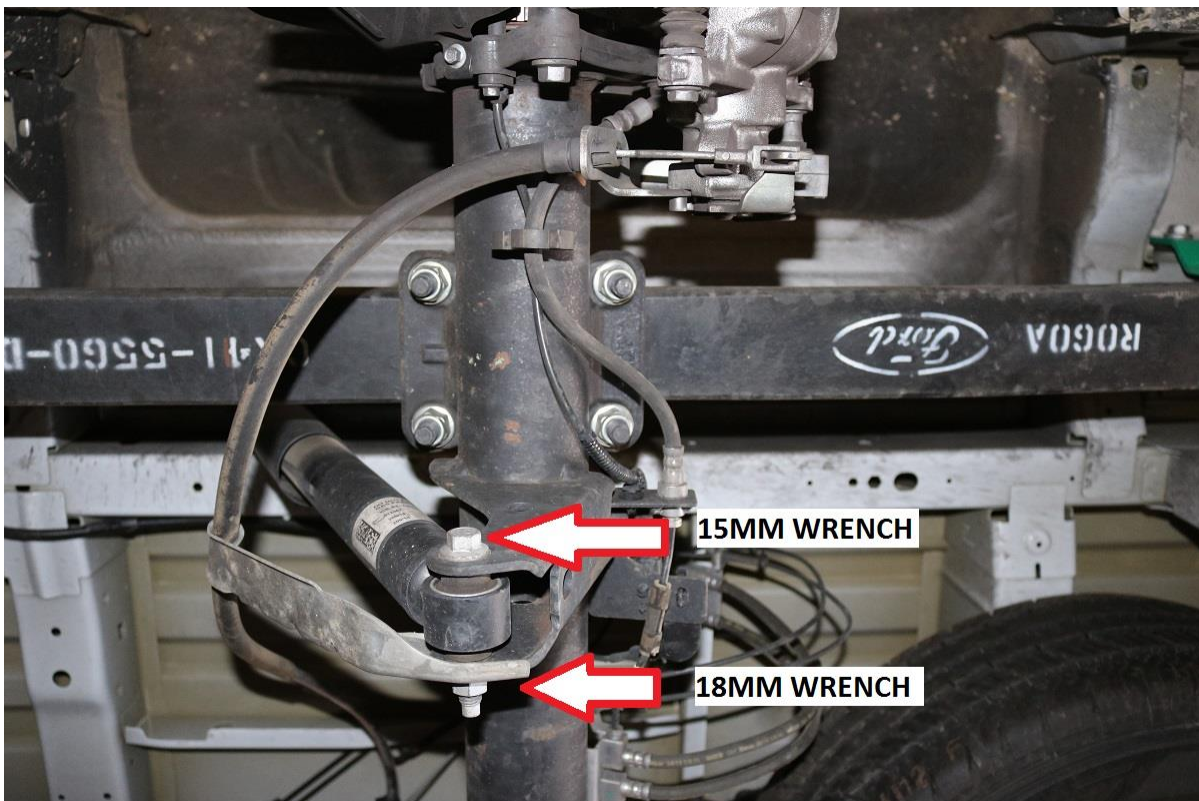
- 30 minutes – 1 hour

Installation

- 1) Retain all shock mounting hardware as it will be re-used for installation.
- 2) Raise the rear of the van with a floor jack under the rear hitch so the rear suspension can droop out.

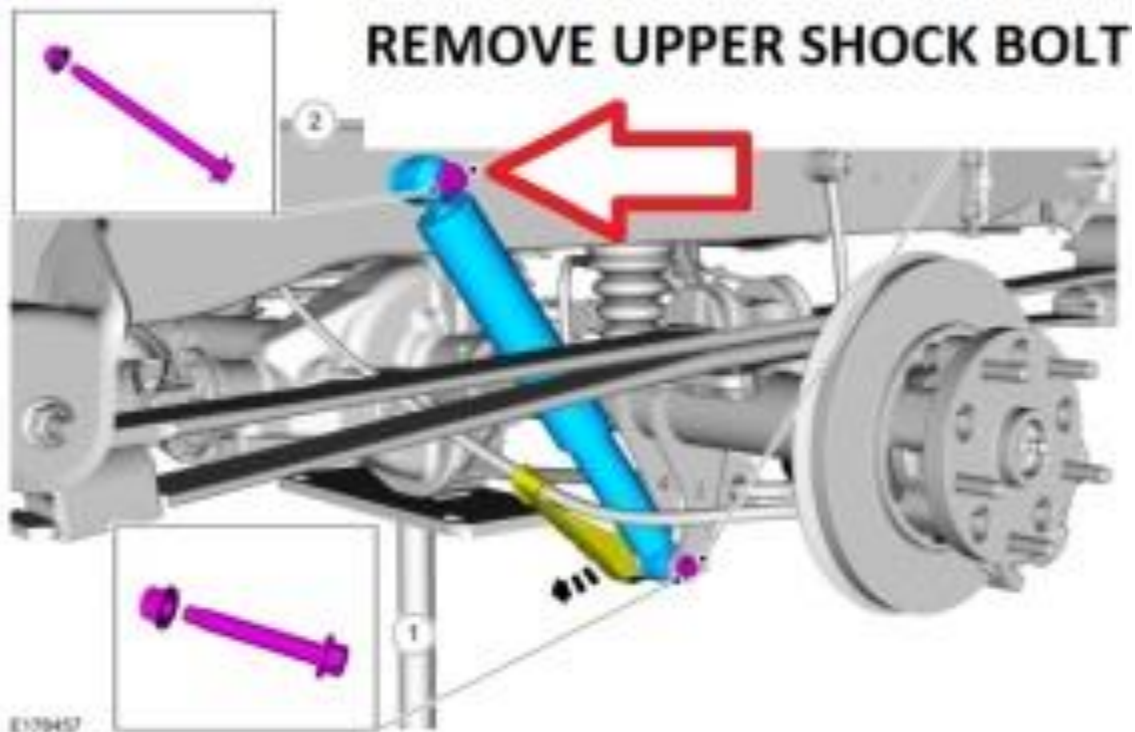


- 3) Begin by removing the lower shock bolt.
 - a. Use a 15mm socket / wrench for the head of the bolt.
 - b. Use an 18mm socket / wrench for the nut.
 - c. See image below for reference.

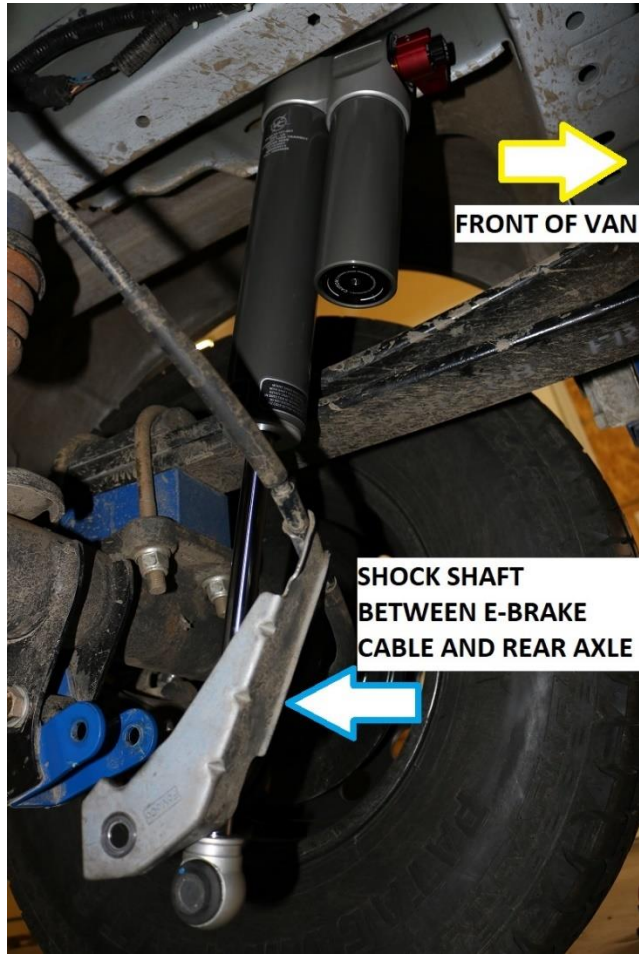


- 4) Remove the upper shock bolt.
 - a. Use an 18mm socket / wrench for the head of the bolt.

- b. Use a 21mm socket / wrench for the nut on the inside of the chassis.
- c. Remove the shock from the vehicle.
- d. See image below for reference.



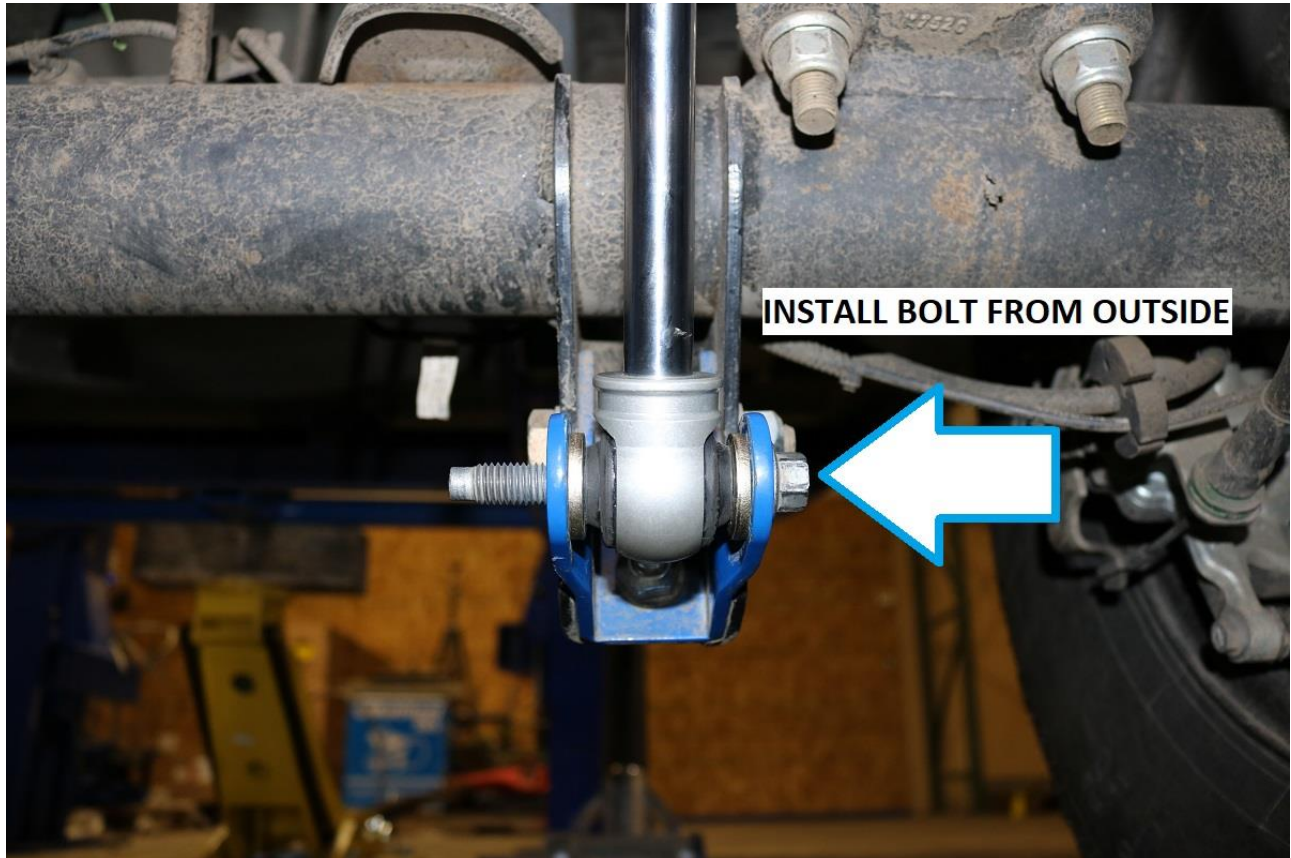
- 5) Install the Falcon Shock with the body of the shock up at the chassis. The Falcon and Van Compass stickers should be on the outside and visible through the wheel well. Position the shaft so it goes between the rear axle and E-brake cable. Use the OEM upper shock bolt and nut.
 - a. Tighten the upper bolt using an 18mm socket / wrench for the bolt head and a 21mm socket / wrench for the nut.
 - b. Torque to 129 ft-lbs. (175 N.m)
 - c. See images below for reference.



- 6) Install the opposite end of the shock into the lower mount. Have a helper operate a floor jack to compress the shock into place.



- 7) Install the OEM lower shock bolt from the outside so the nut is towards the inside of the vehicle.



- 8) Remove the floor jack once the bolt is through the lower mount.
9) Re-install the E-brake cable bracket on the lower shock bolt and install the nut.
10) Tighten the lower shock bolt using a 15mm socket / wrench for the bolt head and an 18mm socket / wrench for the nut.
 a. Torque lower shock bolt to 81 ft-lbs (110 N.m)
11) Re-check all bolt torques after 100 miles of driving.

Installation is Complete

RELEASE OF LIABILITY

I, the customer, do hereby release and forever discharge Van Compass LLC, their agents, employees, successors and assigns, and their respective heirs, personal representatives, affiliates, successors and assigns, and any and all persons, firms or corporations liable or who might be claimed to be liable, whether or not herein named, from any and all claims, demands, damages, actions, causes of action or suits of any kind or nature whatsoever, whether known or unknown, fixed or contingent, which I now have or may hereafter have or claim to have, as a result of or in any way relating to the following: Parts sold & installed by Van Compass LLC or parts sold & installed by end-user; any parts sold online, any parts sold online or installed by a re-seller, any parts installed by an installation shop.

It is understood and agreed that this payment is made and received in full and complete settlement and satisfaction of the aforesaid actions, causes of action, claims and demands; that this Release contains the entire agreement between the parties; and that the terms of this Agreement are contractual and not merely a recital.

Furthermore, this Release shall be binding upon the undersigned, and his respective heirs, executors, administrators, personal representatives, successors and assigns. This Release shall be subject to and governed by the laws of the State of Idaho.

PRODUCT SAFETY WARNING:

Van Compass LLC strongly recommends the installation of products be done by a certified mechanic. If this does not occur, be certain the person(s) installing the product read, understand and follow all instructions and warnings pertaining to the application before installation. Do not add, alter, or fabricate any factory or aftermarket parts to increase vehicle height over the intended height of the Van Compass LLC product purchased. Mixing component brands is not recommended.

Installation of suspension lift kits or any other lifting kits or devices will raise the center of gravity. For this reason, Van Compass LLC urges that extreme caution be used when encountering driving conditions which may cause vehicle imbalance. Furthermore, the driver's field of vision and judgment will not be as good due to the height of the vehicle. Due to the installation of larger tires, the speedometer will read slower than the actual speed being traveled and more distance will be required to stop the vehicle. It is the owner's responsibility to caution and warn any potential driver of the vehicle about these driving and handling conditions. Van Compass LLC will not be held liable or responsible for damages or personal injuries resulting from the use of lifting devices and or related products. The tires and rims should be changed to sufficiently increase the vehicle's total overall width and stability to help accommodate lifting devices.

Van Compass LLC aftermarket suspension products and accessories modify a vehicle for uses which exceed conditions anticipated by the vehicle manufacturer. The uses include the high performance demands required during off-road. These conditions vary in the degree of extremity and cannot be controlled by the vehicle or product manufacturer. If the components within the suspension system or accessories become worn due to frequent and/or extreme use, the safety and reliability of the vehicle is at risk. The maintenance of aftermarket equipment to ensure the vehicle occupants safety is entirely your responsibility. Do not purchase Van Compass LLC products unless you are willing to accept this responsibility. Do not install any Van Compass LLC suspension products or accessories unless you feel competent at installing the product without causing present or future injury to yourself or other vehicle occupants; seek an authorized installation center.

Most states have some type of law limiting vehicle height. The amount of lift allowed, and how the lift can be achieved, varies greatly. Several states offer exemptions for farm and commercial registered vehicles. It is the vehicle owner's responsibility to check state and local laws to ensure that their vehicle will be in compliance. Van Compass LLC reserves the right to make changes in design, materials and specifications as deemed necessary without prior notice and without assuming obligation to modify any product previously manufactured. Obligation or liabilities will not be assumed with respect to similar products previously advertised.

This Release of Liability and Product Safety Warning has been read and fully understood by the undersigned and has been explained to me.