

# ROUGH COUNTRY

## SUSPENSION SYSTEMS®

### Hard Tri-Fold Flip Up Bed Cover for Trucks w/o In Bed Rail System

Thank you for choosing Rough Country for all your vehicle needs.

Please read instructions before beginning installation on the Rough Country Bed cover. Check the kit hardware against the kit contents shown below. Be sure you have all needed parts and know where they go.

If question exist, please call us @1-800-222-7023. We will be happy to answer any questions concerning this product. Check all fasteners for proper torque. Check to ensure for adequate clearance between all components.

Periodically check all hardware for tightness.

#### KIT CONTENTS:

- Hard Tri Fold Bed Cover x1
- Driver Side Rail x1
- Passengers Side Rail x1
- Foam Stripping x1
- Drain Tubes x2

#### HARDWARE CONTENT:

- Carriage Bolt x2
- Carriage Bolt Clamp Knobs x2
- Wing Nuts x2
- Ball Nuts x2

#### Clamps Included:

*Shown on Next Page*

#### Included for Short Bed Applications

- Clamps/ Knob Adjusters x6
- Clamp Bolts x6

#### Included for Mid Bed Applications

- Clamps/ Knob Adjusters x8
- Clamp Bolts x8

#### GM Applications (See Next Page)

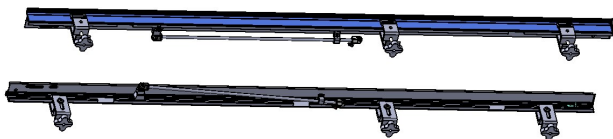
- Rail Clamp x4
- Rear Rail Clamp & Plate x2

#### TOOLS NEEDED:

- Allen Wrench x3
- (Supplied)



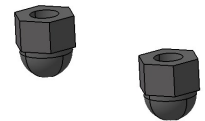
#### Kit Components



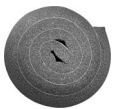
Rails



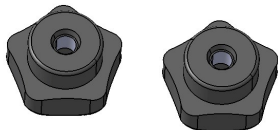
Carriage Bolts



Ball Nuts



Foam Stripping



Clamp Knobs



Wing Nuts



Drain Tubes

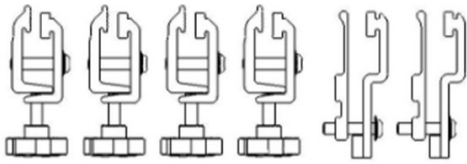
#### Torque Specs:

Size	Grade 5	Grade 8	Size	Class 8.8	Class 10.9
5/16"	15 ft/lbs	20ft/lbs	6MM	5ft/lbs	9ft/lbs
3/8"	30 ft/lbs	35ft/lbs	8MM	18ft/lbs	23ft/lbs
7/16"	45 ft/lbs	60ft/lbs	10MM	32ft/lbs	45ft/lbs
1/2"	65 ft/lbs	90ft/lbs	12MM	55ft/lbs	75ft/lbs
9/16"	95 ft/lbs	130ft/lbs	14MM	85ft/lbs	120ft/lbs
5/8"	135ft/lbs	175ft/lbs	16MM	130ft/lbs	165ft/lbs
3/4"	185ft/lbs	280ft/lbs	18MM	170ft/lbs	240ft/lbs

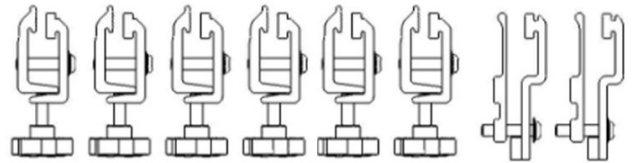


**Stake Pocket Mounting Brackets (See Steps Below)**

**Used in 14-18 GM 1500, 15-24 Colorado/ Canyon & 14-19 GM 2500/3500 Models.**

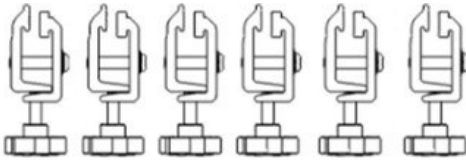


**Short Bed**

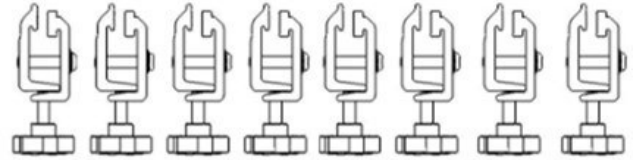


**Mid Bed 6'7"**

**All Other Applications use the clamps shown below including the 19-Up GM 1500 models.  
(See Next Page for Installation Instructions)**



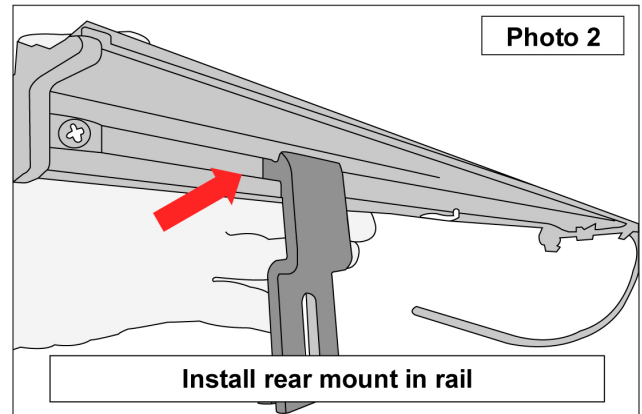
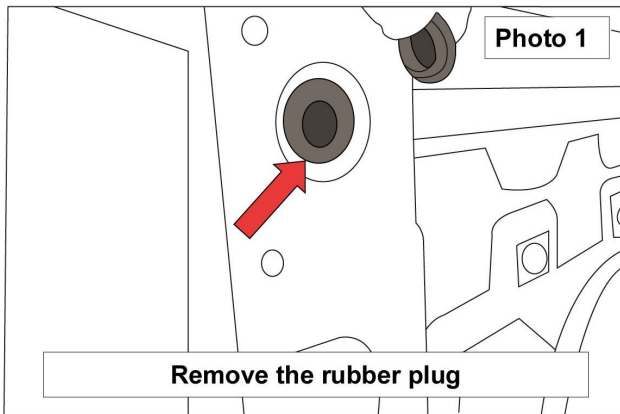
**Short Bed**



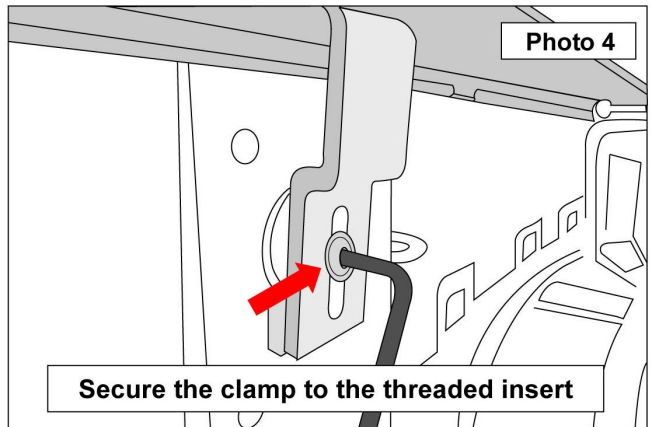
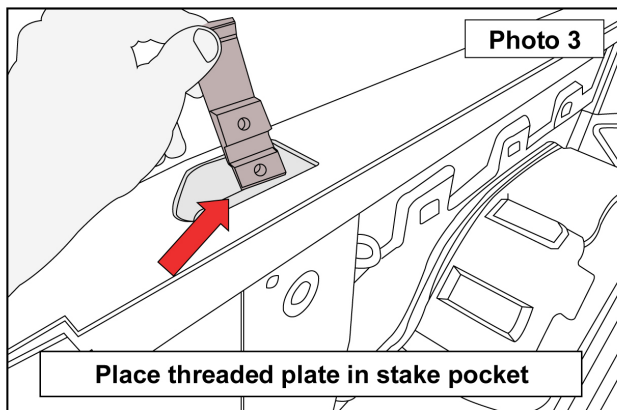
**Mid Bed 6'7"**

**STAKE POCKET CLAMP INSTALLATION INSTRUCTIONS**

1. Locate the GM stake pocket mounts shown above for short bed or mid bed.
2. The short bed will require 4 clamps and 2 bed post bracket assemblies.
3. Remove the rubber plug if present. **See Photo 1.**
4. Slide the rear mount on the bed cover rail. **See Photo 2.**
5. Locate the threaded insert and place in the bed stake pocket and align with the sliding bracket. **See Photo 3.**



6. Secure with the supplied flanged allen head bolt. Tighten with the supplied allen wrench. **See Photo 4.**

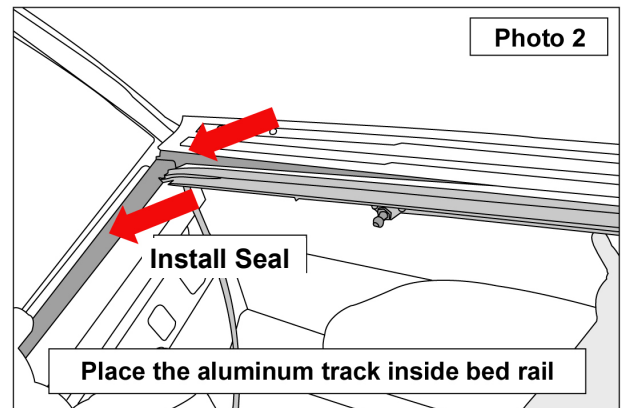
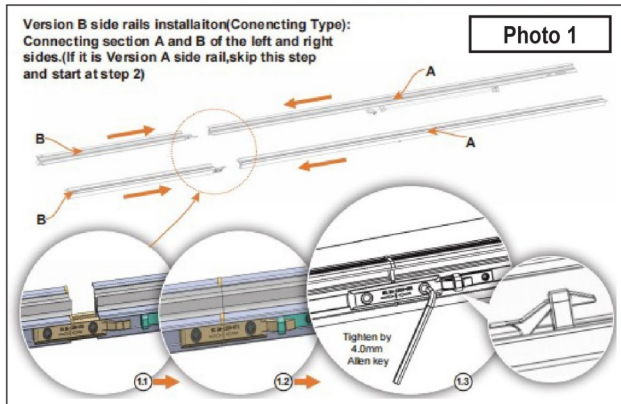


7. Install the remaining rail clamps as shown in the next page on this instruction sheet.

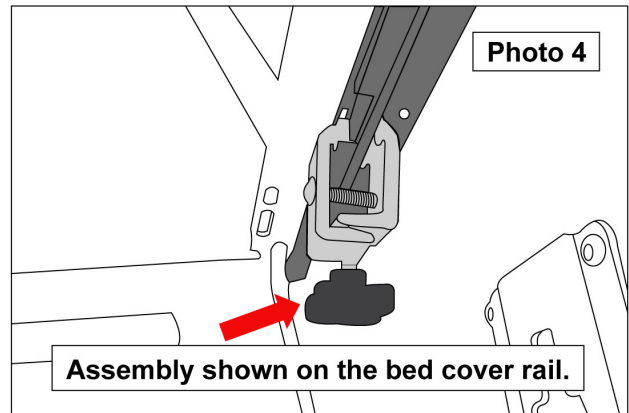
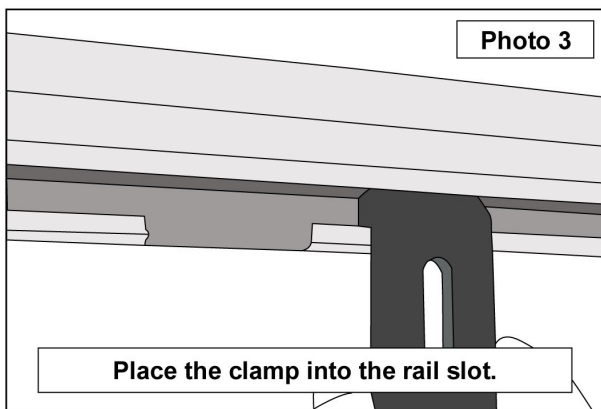


## INSTALLATION INSTRUCTIONS

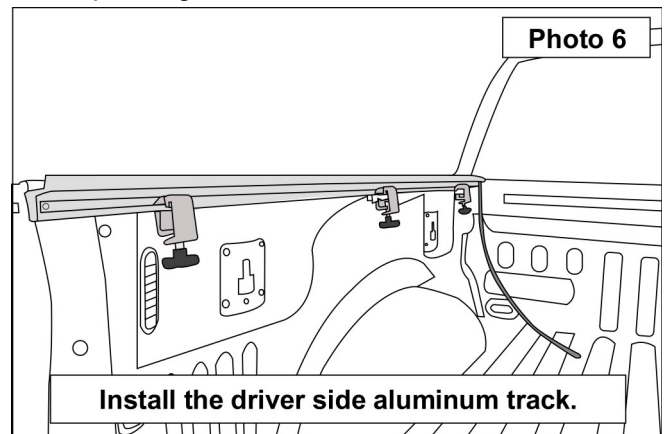
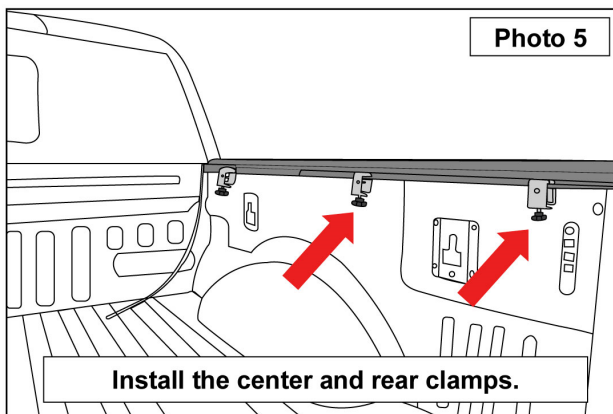
1. If the bulkhead of the bed is lower the bed rail, install the supplied foam strip on the bulkhead. Assemble the bed cover rail if needed with the supplied hardware and couplers. Tighten with supplied 4mm Allen wrench. **(Normally mid bed and long bed) Short bed rails are one piece and do not require assembly. See Photo 1.**
2. Place the aluminum track to the inside of the bed rail and slide it all the way against the bulkhead of the bed. Passengers side shown with the ball stud toward the front of the bed. **See Photo 2.**



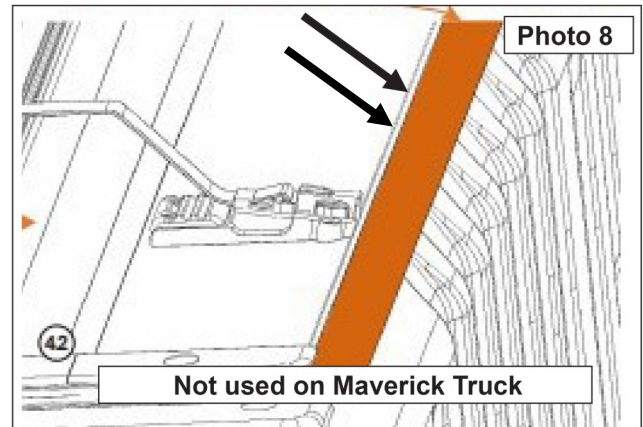
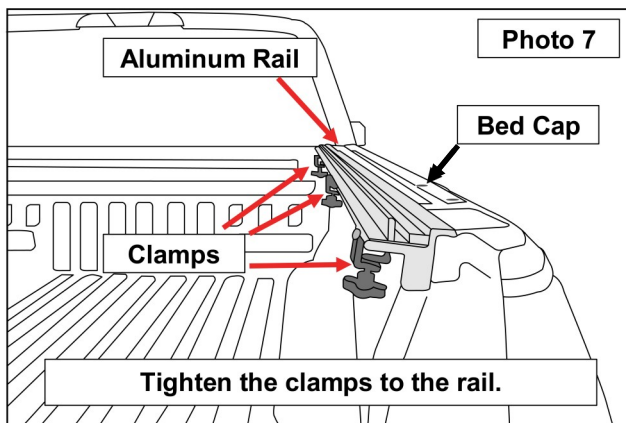
3. If pre-assembled, disassemble the clamp.
4. Using the slot as shown in the supplied rail, slide the bracket into the rail. **See Photo 3.**
5. Secure the front clamp using the supplied Allen bolt and the lower adjustment bolt as shown. Slightly tighten the knob putting slight pressure on the clamp, pushing the clamp up on the bed rail. **See Photo 4.**



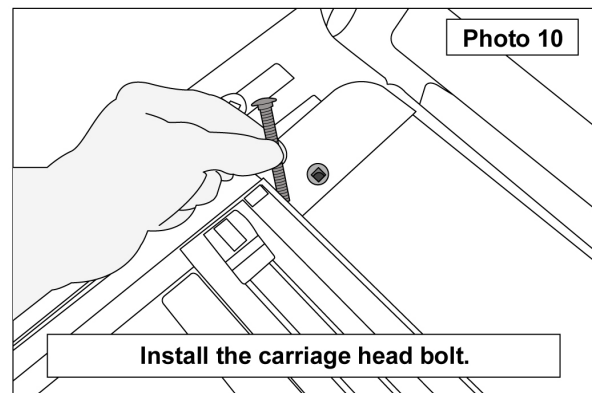
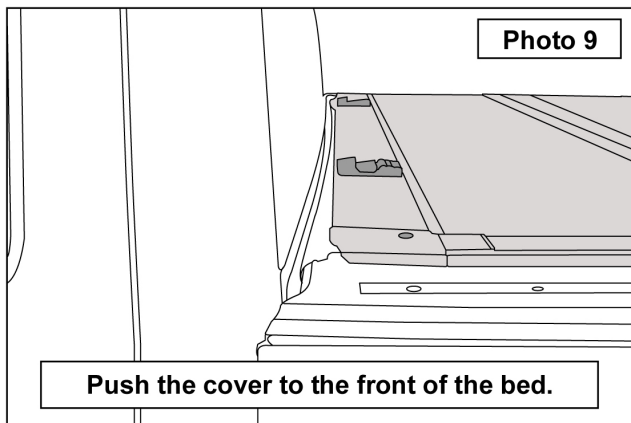
6. Secure the center and the rear mount of the aluminum track using (2) of the remaining clamps positioning the rear most clamp as close to the tailgate as possible and the middle clamp equal distance from the front and rear clamp. **See Photo 5.**
7. Install the driver side aluminum rail and clamps as installed on the passenger side. **See Photo 6.**



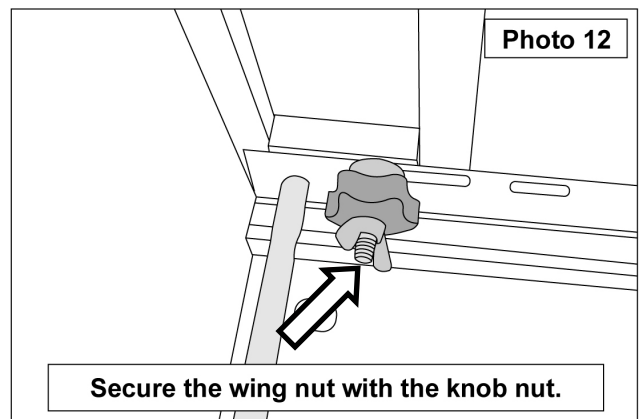
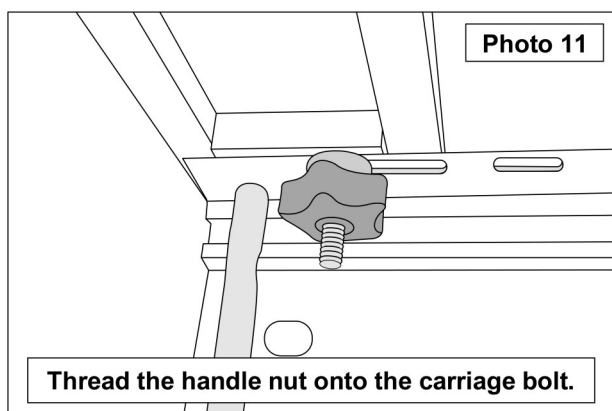
8. After the clamps have been positioned and the knob adjuster has been adjusted into position on all clamps, tighten the allen head bolts using the supplied allen wrench. **See Photo 7.**
9. Place the cover onto the bed making sure to flip the bulkhead seal out to seal the bed. ***NOTE: This seal is not used on the Ford Maverick vehicles because the bed and body are one piece.*** See Photo 8.



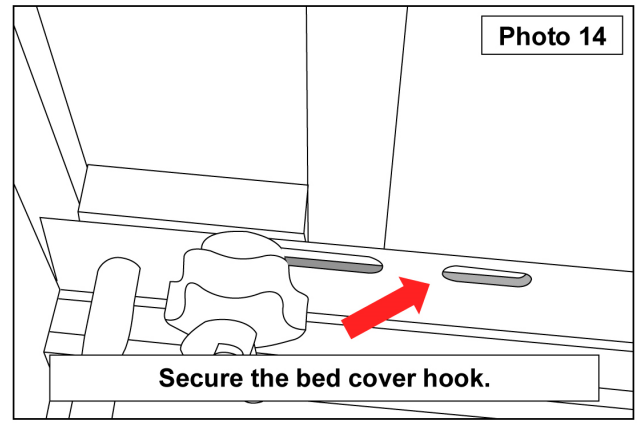
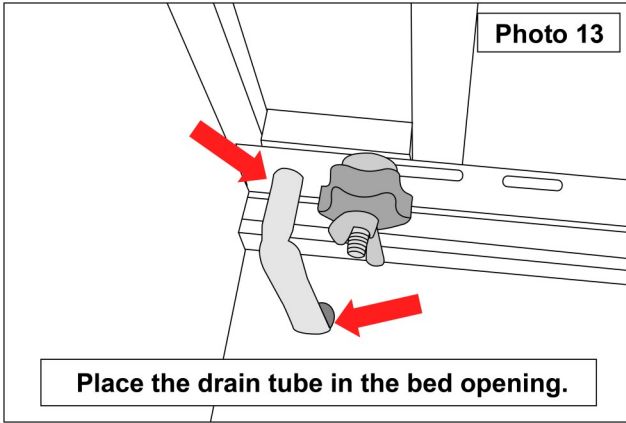
10. Ensure the cover is pushed up to the front of the bed and centered side to side in the aluminum track. Place the supplied carriage head bolt into the front hole of the cover. **See Photos 9 and 10.**



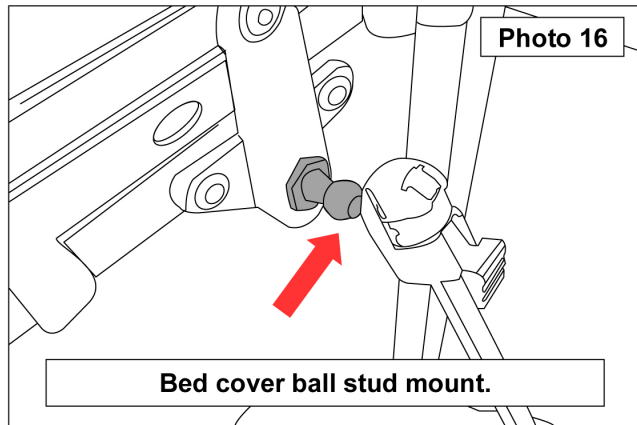
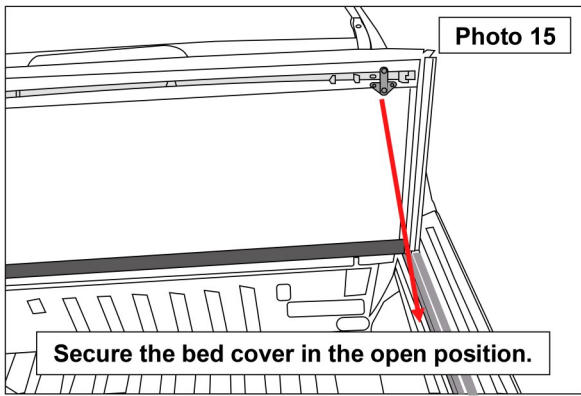
11. After ensuring the carriage bolt is fully seated, thread the supplied knob nut onto the carriage head bolt. Then thread the wing nut onto carriage head bolt and slightly tighten the knob nut to the wing nut. **See Photos 11 and 12.** Note: These nuts will not be tightened until the cover has been adjusted to ensure full latch engagement.



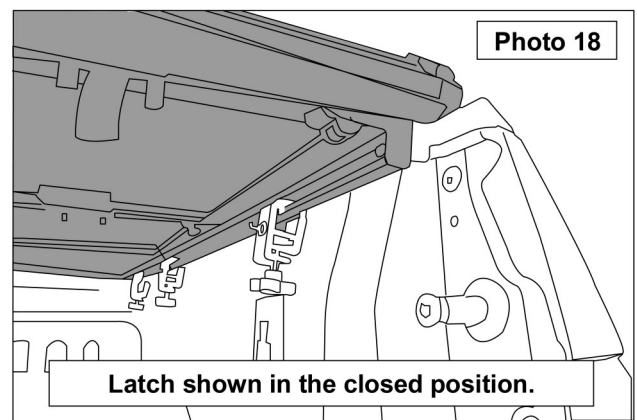
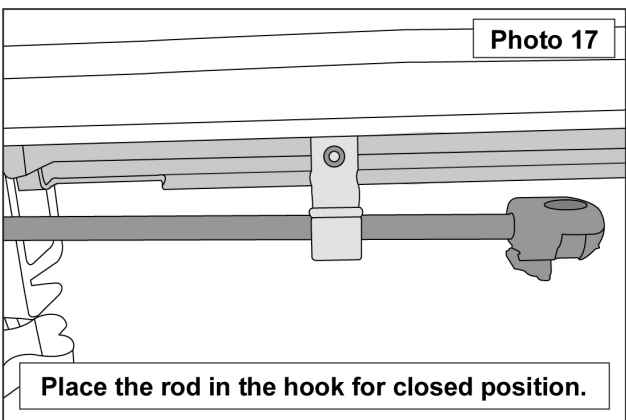
12. Place the drain tube on the fitting on the bed cover rail and through an opening outside the bed to ensure water does not accumulate in the bed. **See Photo 13.** It might be necessary to drill a hole for the drain tube if an opening is not present.
13. Hook the safety strap to the slot in the aluminum track. **See Photo 14.**



14. Open the cover to the vertical position and place the rod to the ball stud on the aluminum track and to the ball stud mount on the bottom of the bed cover. Use the push button to release from the ball stud. **See Photos 15 and 16.**



15. Release the rod from the bottom bed cover mount and use the hangers on each side to secure the rod when the bed cover is in the closed position. **See Photo 17.**
16. When the bed cover is in the closed position each latch should be firmly secure under the aluminum track. **See Photo 18.** If needed adjust the cover so that the latches are engaged. The latches can also be moved inward or outward toward the rail to ensure proper engagement using the supplied allen wrench. Adjust as necessary and tighten all components.



By purchasing any item sold by Rough Country, LLC, the buyer expressly warrants that he/she is in compliance with all applicable, State, and Local laws and regulations regarding the purchase, ownership, and use of the item. It shall be the buyers responsibility to comply with all Federal, State and Local laws governing the sales of any items listed, illustrated or sold. The buyer expressly agrees to indemnify and hold harmless Rough Country, LLC for all claims resulting directly or indirectly from the purchase, ownership, or use of the items.

