



34935 Flyover Ct. Bakersfield, CA 93308
Phone: (661) 588-8085 | Fax: (661) 588-8295

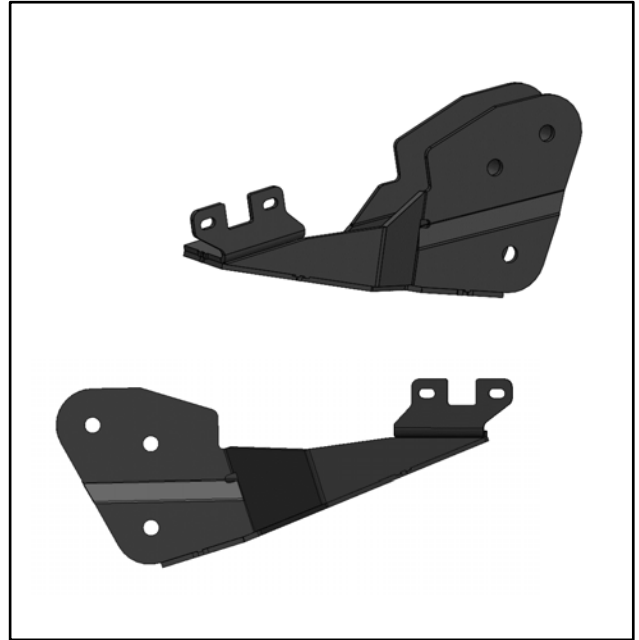
INSTALL INSTRUCTIONS:
2017-2021 Ford F250/350 Super
Duty Radius Arm Drop Brackets
SKU: 120-70088

PARTS LIST FOR SKU: 120-70088

QTY.	PART #	DESCRIPTION
1	8553	Ford F250 F350 Driver Radius Arm Drop Bracket
1	8554	Ford F250 F350 Passenger Radius Arm Drop Bracket
4	8555	FSD Nut Plate Radius Arm Drop

HP9213

QTY.	PART #	DESCRIPTION
4	HARDWARE-M18X2.5X120	M18-2.5 X 120mm Yellow Zinc Plated Cap Screw DIN 931 Class 10.9
8	HARDWARE-M18-FLATWASHER	M18 Zinc Plated Steel Flat Washer DIN 125
4	HARDWARE-M18X2.5-LOCKNUT	M18-2.5 Class 10.9 Zinc Plated Steel Locking Nut
4	HARDWARE-M12X1.75X30	M12-1.75 X 30mm Yellow Zinc Plated Cap Screw DIN 933 Class 10.9
4	HARDWARE-M12-FLATWASHER	M12 Metric High-Strength Steel Flat Washer
4	HARDWARE-M12-LOCKWASHER	M12 Zinc Plated Split Lock Washer



WARNING

Please read this entire instruction sheet before beginning installation. Proper installation of these components requires a qualified mechanic. Always wear safety glasses when using power tools, and take appropriate precautions when working under a vehicle. If these instructions are not properly followed you may jeopardize your, and your passenger's safety, and severe frame, suspension or tire damage may also result from improper installation.

INTRODUCTION

The Cognito 2017-2020 Ford F250/350 Super Duty Radius Arm Drop Brackets provide a heavy-duty replacement for the OE bracket. When installing a vehicle lift it is important to correct the radius arm pivot points to maintain safe, well performing suspension. These powder-coated steel brackets are a direct fit with either OE radius arms or Cognito Caster Adjustable Radius Arms (SKU: 120-90408)

REQUIREMENTS

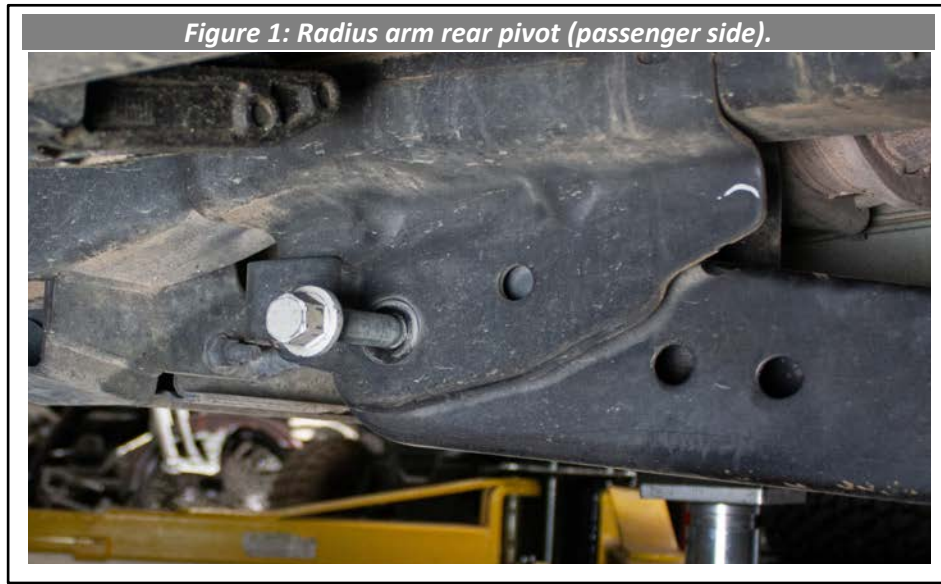
- This installation requires a qualified mechanic
- This installation is strongly recommended to be completed using a vehicle lift.
- Read instructions carefully and study the pictures before attempting installation.
- Check the parts and any hardware packages against the parts list to assure that your kit is complete.

TECHNICAL INFORMATION

- It is necessary to raise the vehicle to perform installation of these products. A vehicle lift or installation bay is strongly recommended. Always ensure the truck is properly supported before attempting installation to prevent serious injury.
- This installation is for stock and lifted applications.
- Follow the OEM recommendations when replacing OE fasteners, retainers, and keepers specified in the OEM manual.

INSTALLATION

1. Safely raise vehicle until suspension is unloaded while maintaining contact between front wheels and ground. Support both radius arms from below. Remove rear pivot bolts from radius arms as shown in **Figure 1**.

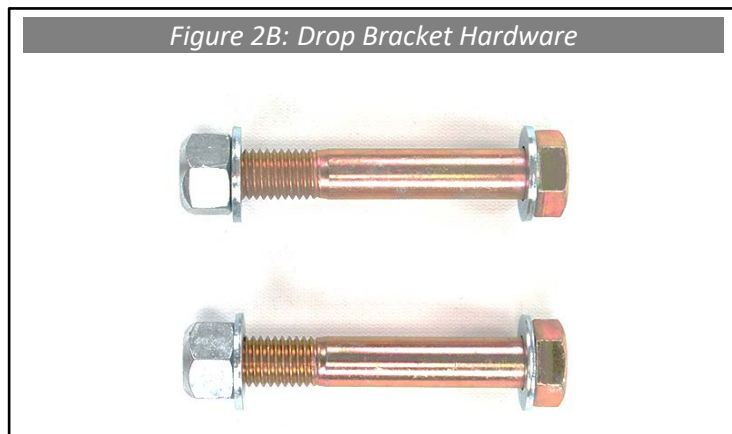
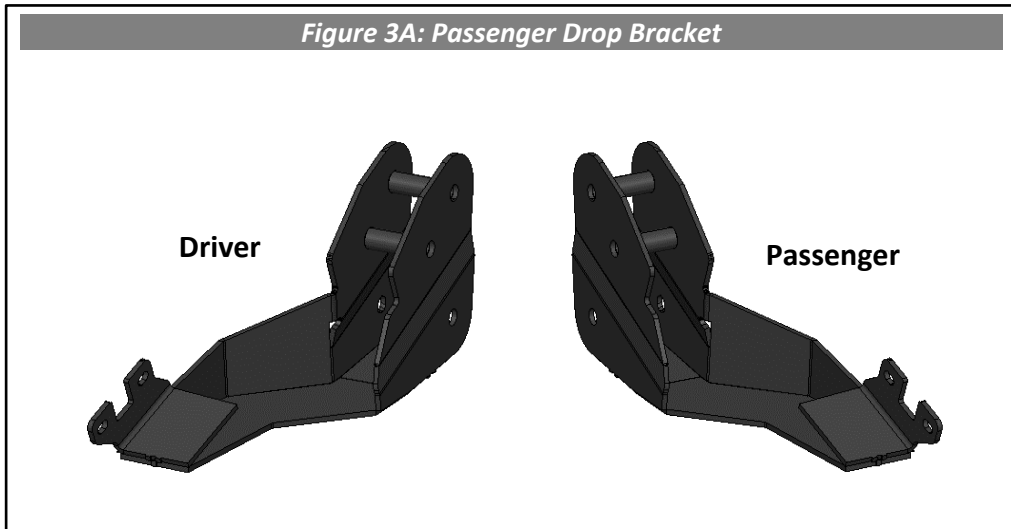


2. Rotate front axle assembly down slowly until radius arms are clear from frame pockets, checking to ensure all brake lines, vacuum lines, hoses, wiring, and driveline are free to maneuver. Support as shown in **Figure 2**.



3. Locate the following:

- 1x **8553** – 4" Drop Bracket, Driver
- 1x **8554** – 4" Drop Bracket, Passenger
- **Hardware Pack HP9213**
 - 4x **M18 X 2.5 X 120mm Bolt**
 - 8x **M18 Flat Washer**
 - 4x **M18 X 2.5 Lock Nut**



4. Insert each drop bracket into frame pivot pocket with bracket tail extending rearward, as shown in **Figure 3A**. Insert M18 bolt into front hole location with washer between bolt head and pivot pocket. Rotate bracket to align second hole and insert remaining 18mm bolt with washer (**Figure 4B**). Thread M18 lock nuts and remaining washers onto bolts, but do not tighten. **Note: trimming of frame components/crossmember may be required in indicated location (Figure 4C-4E). If trimming is required, ONLY remove material from frame and crossmember.** Repeat for remaining drop bracket on opposite side of vehicle.

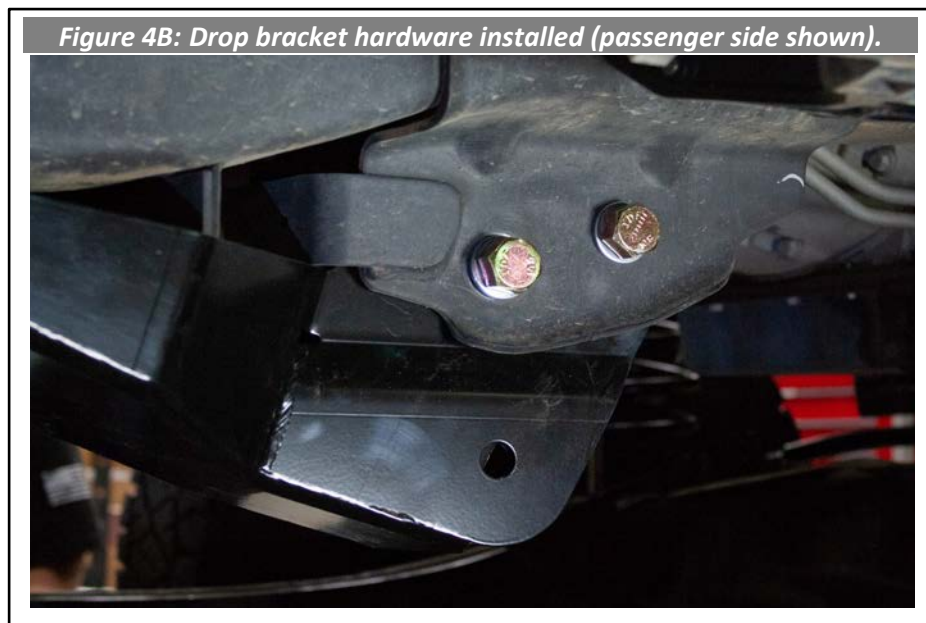
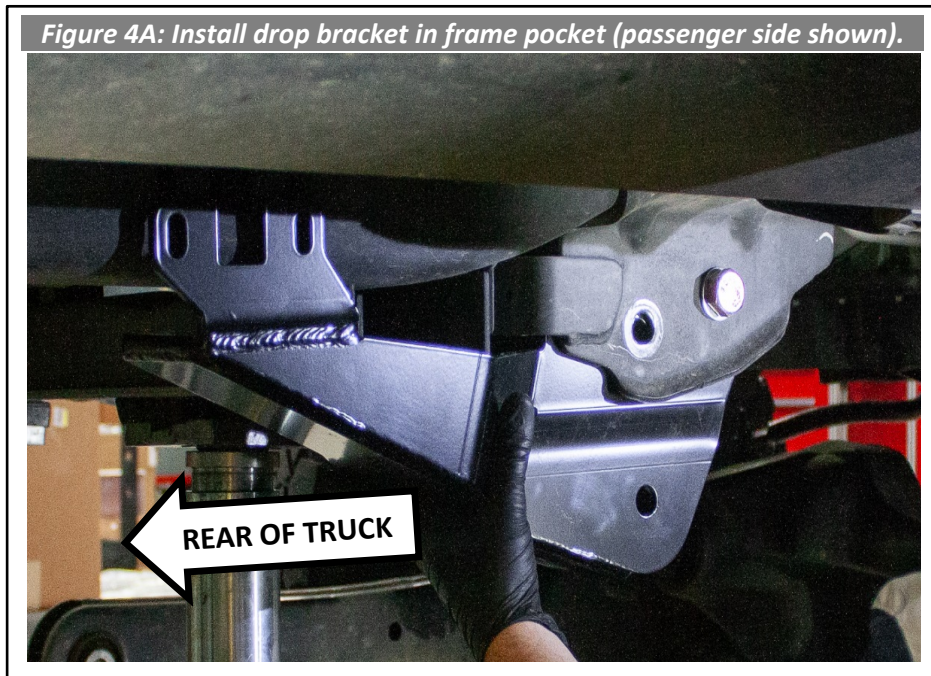


Figure 4C: Trim indicated corner only if needed (driver side shown).

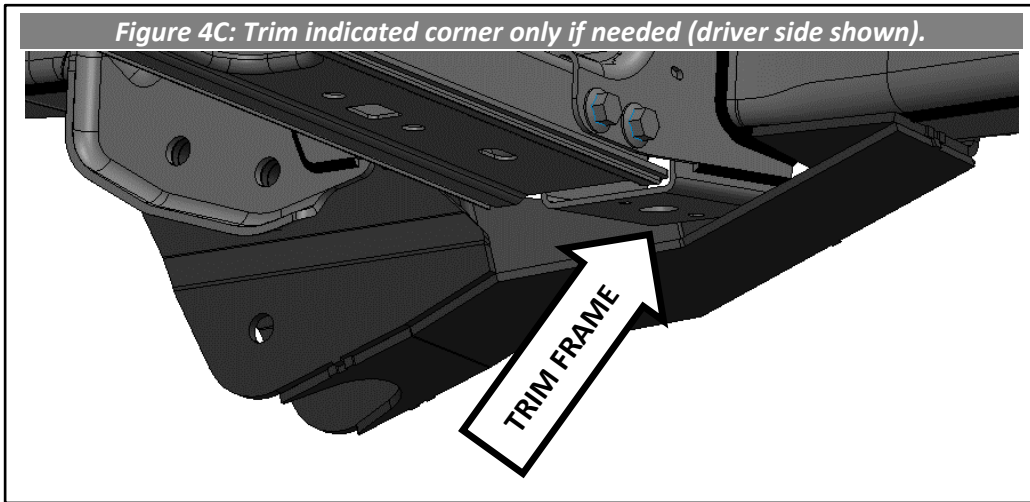


Figure 4D: Additional view of trim location.

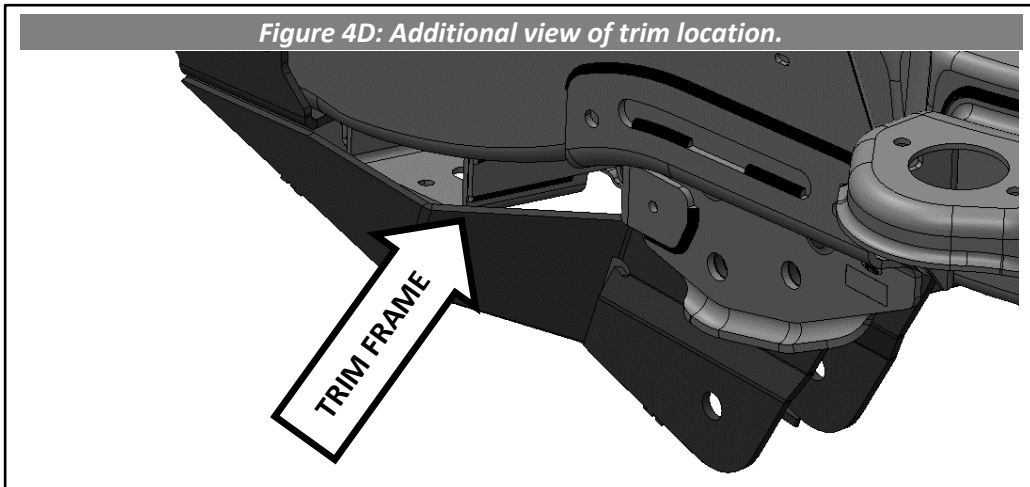
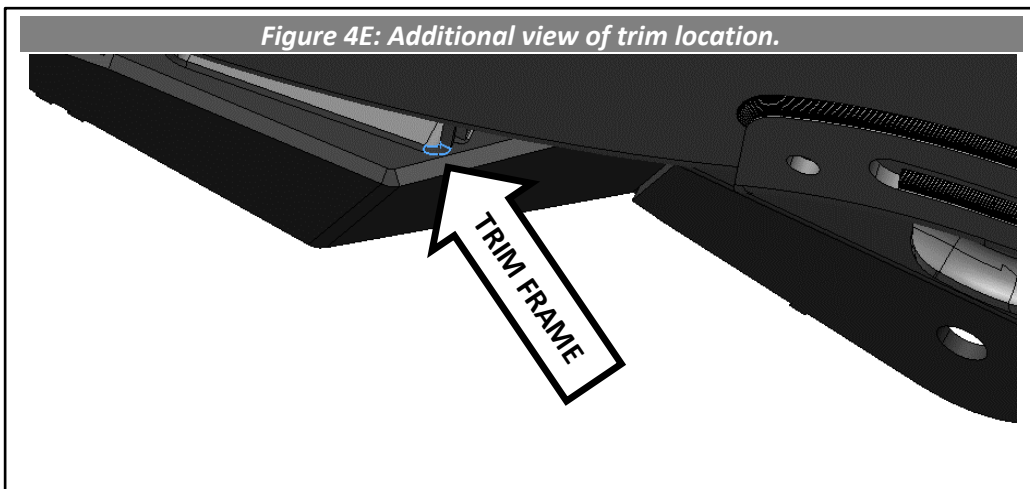


Figure 4E: Additional view of trim location.



5. Locate the following:
- 4x **8555** – Nut Plates
 - **Hardware Pack HP9213**
 - 4x **M12 X 1.75 X 30mm Bolt**
 - 4x **M12 Flat Washers**
 - 4x **M12 Split-Lock Washers**

Insert M12 bolts through split-lock washers and flat washers in the order shown in **Figure 5**.

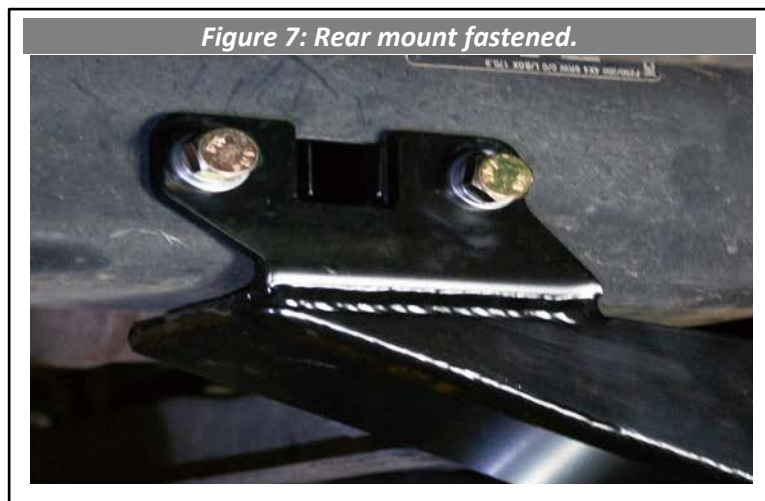


6. Insert one nut tab into access hole in frame with threads extending inboard into the frame (**Figure 6A**). Align with drop bracket slot and frame hole and thread M12 bolt into nut plate, with split-lock washer and flat washer underneath head of bolt (**Figure 6B**). Do not fully tighten. Repeat for drop bracket rear mount on opposite side of vehicle.



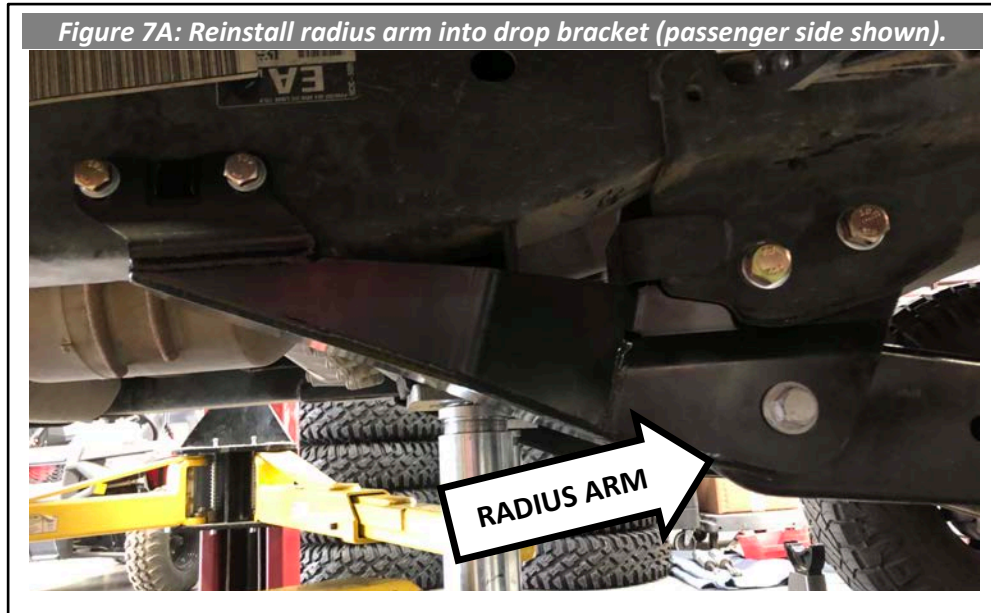


7. Install second nut plate and hardware for remaining hole in rear mount (**Figure 7**). Do not fully tighten.



8. Repeat steps 6 and 7 for drop bracket on opposite side of vehicle.

9. **NOTE: assistance from another person is recommended for this step.** Rotate front axle assembly up and insert driver and passenger side radius arms into drop bracket pivot pockets. Assemble using OE radius arm bolt and nut removed in step 1 (**Figure 7A**).



10. Torque OE radius pivot bolts to **222 ft-lbs**. Torque four M18 drop bracket front mount bolts to **270 ft-lbs**. Torque four drop bracket rear mount bolts to **75 ft-lbs**. Always apply the torque wrench to nut, not the bolt head. Installation is complete.

WARRANTY / RETURN POLICY / SAFETY

Cognito Limited Lifetime Warranty

Cognito Motorsports, Inc. hereinafter “Cognito,” warrants to the original retail purchaser, that its suspension products are free from workmanship and material defects for as long as the purchaser owns the vehicle on which the product(s) were originally installed. This warranty will be void if any modifications are made to the components, including alterations to the surface finish, i.e.; painting, powder coating, plating, and/or welding, or if they are improperly installed. Cognito truck suspension products are not designed nor intended to be installed on “competition” vehicles used in race applications, stunt or for exhibition purposes that are outside of the intended operating conditions specified by the manufacturer. Racing and competition are defined as any contests between two or more vehicles; or vehicles competing individually on off road circuits in timed events (whether or not such contests are for an award or prize).

This warranty does not include coverage for police, taxi, government or commercial vehicles, and the warranty does not cover Cognito products sold outside of the USA. Cognito’s obligations under this warranty are specified and applied at its sole discretion, and warranty coverage is limited to repair or replacement of the defective product(s). Any and all costs of removal, installation or reinstallation; freight charges, incidental or consequential damages associated with the covered products are expressly excluded from this warranty.

The following items are exempt from Cognito limited warranty coverage: bushings, bump stops, tie-rod ends (Heim joints) and limiting straps. These parts are “consumables” and designed to wear as a normal part of their duty cycle, therefore they are not considered defective when worn. The aforementioned products are warranted separately against defects in workmanship, for 60 days from the date of purchase. As a condition of warranty validation, respective Cognito suspension components must be installed as a complete system (not combined with non-Cognito hardware or ancillary parts). Any substitutions or omission of required components will void the warranty. Some minor cosmetic wear and imperfections may occur to parts during shipping, which is not covered under this warranty. This limited warranty does not apply to any components that have been subjected to collision damage, negligence, alteration, abuse, or misuse, and coverage does not extend to products manufactured by third-party companies. Cognito reserves the right to supersede, discontinue, or change the design, finish, part number and/or application of its parts when deemed necessary, without notice.

Return Policy

Product returns will not be accepted without prior written approval from an authorized Cognito representative. All products being returned must be shipped via trackable, prepaid freight. Returned products are subject to a 25% percent restocking fee. The eligible return period for products purchased directly from Cognito is 30 days from the verified date when the product(s) were originally received by the purchaser.

Product Safety Advisory

The installation of Cognito steering and suspension components will modify your vehicle’s original factory equipment and geometry, which may cause it to handle differently than a stock (unaltered) vehicle. Installation of these components is not intended to strengthen nor reinforce the vehicle’s frame, nor are they designed to increase rollover protection. It is necessary to periodically inspect all suspension and drive train components for proper attachment, torque specifications, operation, and for any potential unusual wear or damage. Installation of these parts will modify the height of the vehicle and may raise the center of gravity. Modifying vehicle height combined with off road operation may increase your vehicle’s susceptibility to rollover conditions, which may cause serious injury or death. Many states regulate allowable vehicle height modifications, and it is your responsibility to know and comply with the legal requirements specified by the laws where you reside. Modifications to your vehicle’s ride height may also affect the ride quality, driver input response, trackability and handling, and wear to your vehicle’s suspension components and tires.