

ROUGH COUNTRY

SUSPENSION SYSTEMS®

17-22 Ford Super Duty Manual Bed Step

Thank you for choosing Rough Country for your suspension needs.

Rough Country recommends a certified technician install this system. In addition to these instructions, professional knowledge of disassembly/reassembly procedures as well as post installation checks must be known. Attempts to install this system without this knowledge and expertise may jeopardize the integrity and/or operating safety of the vehicle. Please read instructions before beginning installation. Check the kit hardware against the parts list on this page and the product layout on the last page. Be sure you have all needed parts and know where they go. Also please review tools needed list and make sure you have needed tools.

▲ WARNING

PRODUCT USE INFORMATION

Rough Country makes no claims regarding lifting devices and excludes any and all implied claims. We will not be responsible for any product that is altered.

If questions exist we will be happy to answer any questions concerning the design, function, and correct use of our products.

▲ NOTICE

NOTICE TO DEALER AND VEHICLE OWNER

Any vehicle equipped with any Rough Country product should have a "Warning to Driver" decal installed on the inside of the windshield or on the vehicle's dash. The decal should act as a constant reminder for whoever is operating the vehicle of its unique handling characteristics. Re-torque all installed hardware as often as possible to ensure safe operation.

INSTALLING DEALER - it is your responsibility to install the warning decal and forward these installation instructions on to the vehicle owner for review. These instructions should be kept in the vehicle for its service



Torque Specs:

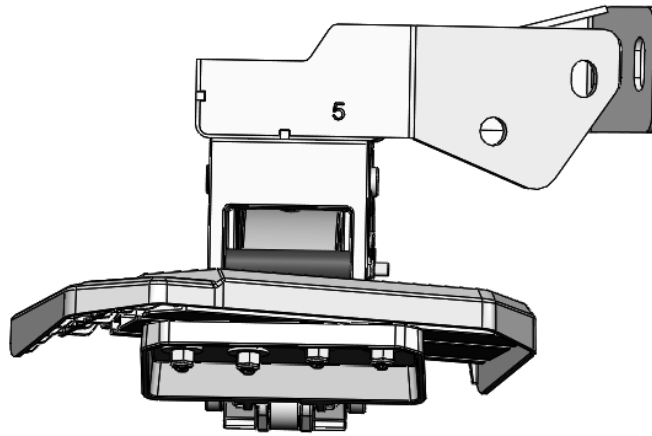
Size	Grade 5	Grade 8	Size	Class 8.8	Class 10.9
5/16"	15 ft/lbs	20ft/lbs	6MM	5ft/lbs	9ft/lbs
3/8"	30 ft/lbs	35ft/lbs	8MM	18ft/lbs	23ft/lbs
7/16"	45 ft/lbs	60ft/lbs	10MM	32ft/lbs	45ft/lbs
1/2"	65 ft/lbs	90ft/lbs	12MM	55ft/lbs	75ft/lbs
9/16"	95 ft/lbs	130ft/lbs	14MM	85ft/lbs	120ft/lbs
5/8"	135ft/lbs	175ft/lbs	16MM	130ft/lbs	165ft/lbs
3/4"	185ft/lbs	280ft/lbs	18MM	170ft/lbs	240ft/lbs



INSTALLATION INSTRUCTIONS

PARTS LIST:

Description	QTY
Linkage arm assembly	1
Step pad	1
Mounting bracket	1
Support bracket	1
8-1.25mm x 25mm Combo bolts	4
8mm Lock washer	1
8-1.25mm x 20mm Hex Bolt	1
8mm Hex self-locked Nuts	4
8mm x 24mm x 2mm Flat washers	5
8-1.25mm x 20mm T Bolt	4

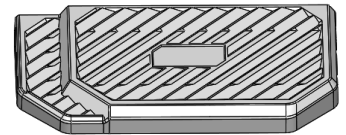
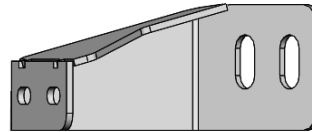
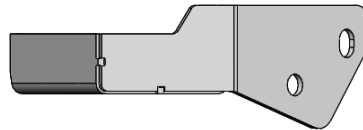
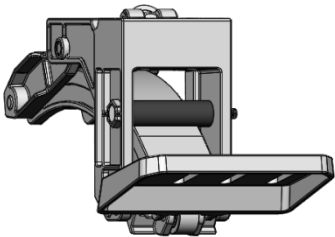


Linkage Arm Assembly

Mounting Bracket

Support Bracket

Step Pad



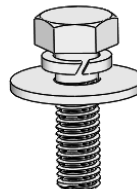
Lock Washer



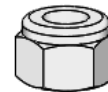
Flat Washer



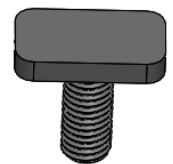
Hex Bolt



Combo Bolt



Lock Nut

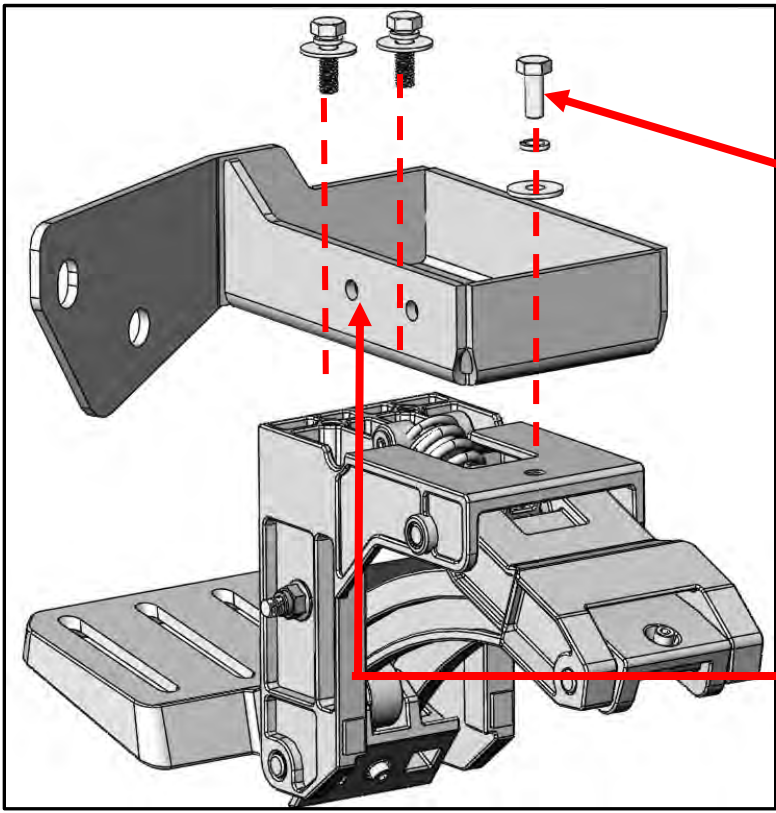


T-Bolt

TOOLS REQUIRED

 <p>Ratchet</p>	 <p>21mm Socket 13mm Socket</p>	 <p>Extensions</p>	 <p>21mm Wrench</p>
--	--	--	--

1 Follow (Fig 1 – 2) to assemble the corner step before mounting to vehicle.



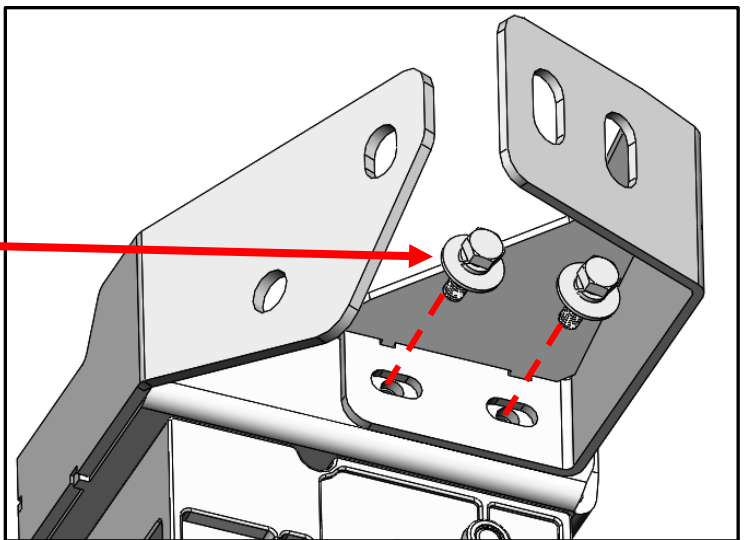
(Fig 1) Attach mounting bracket to the linkage arm assembly

- (1) 8mm x 20mm Hex Bolt
- (1) 8mm Lock Washer
- (1) 8mm Flat Washer

- (2) 8mm x 25mm combo Bolts

(Fig 2) Attach support bracket to the mounting bracket

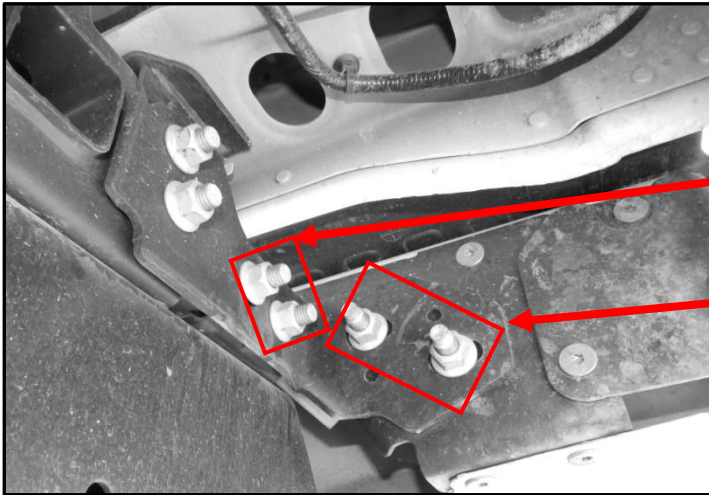
- (2) 8mm x 25mm combo Bolts



2

Follow (Fig 3 – 5) to install the corner step to the frame and bumper of the vehicle.

Note: Excess dirt and debris may prevent the step from functioning properly. Simply clean the dirt off with water to maintain optimal condition of Corner Step.



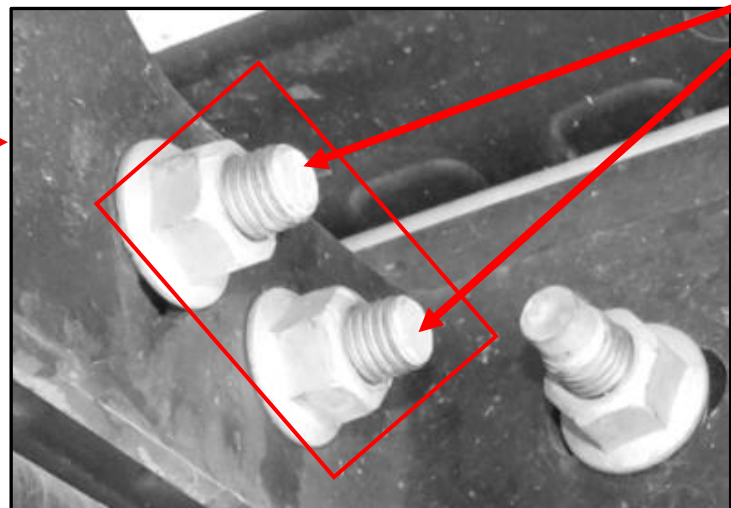
(Fig 3) Starting at the DS rear remove the (4) OEM 21mm flanged hex nuts

Support bracket will mount here

mounting bracket will mount here

Push out double bolt to make the install easier

(Fig 4) OEM 12mm double bolt plate is used for mounting the support bracket



(Fig 5) Install corner step assembly

Slide the mounting bracket over the 12mm studs

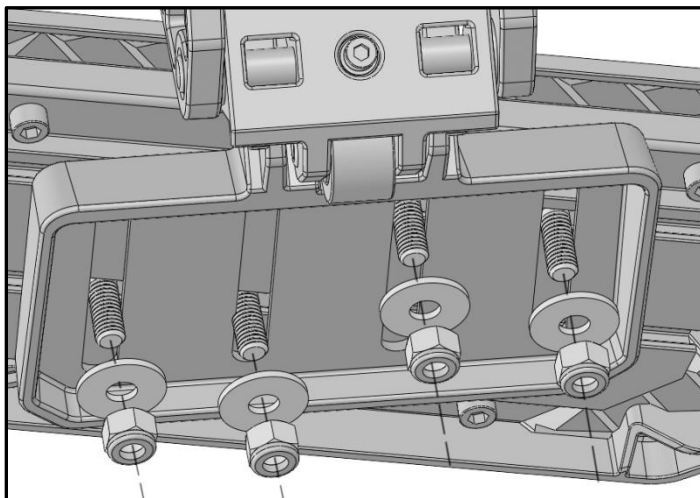
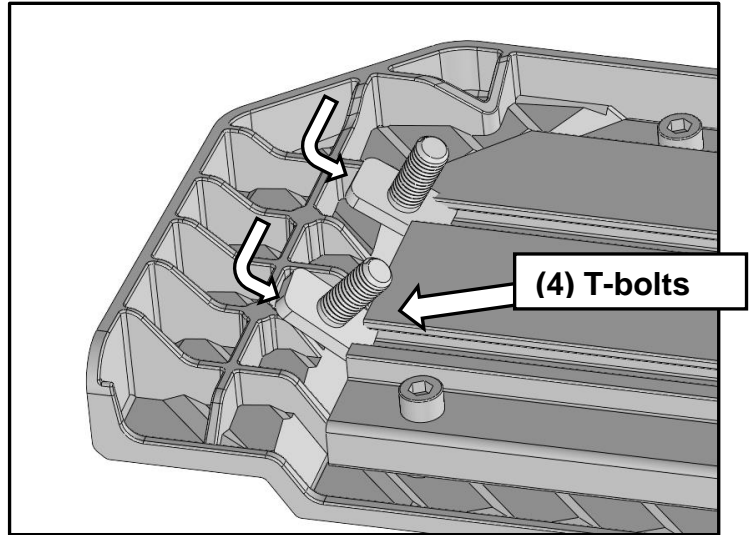
Then push double bolt plate back in once support bracket slots are align with mount holes

Must use 21mm wrench to tighten due to the tight clearance

3

Follow (Fig 6-8) to install the step pad to the linkage arm assembly.

(Fig 6) Slide in T-bolts through open ends of the channels underside of Step Pad (two T-bolts per channel)



(Fig 7) Attach Step Pad to Corner Step Base

**(4) 8mm Flat Washers
(4) 8mm Nylon Lock Nuts**

(Fig 8) The step pad can be adjusted to the user liking



Complete Installation

