



## 88P SXS PORTABLE POWERSPORT SERIES COMPRESSOR

P/N 00082



### IMPORTANT:

It is essential that you and any other operator of this product read and understand the contents of this manual before installing and using this product.

**SAVE THIS MANUAL FOR FUTURE REFERENCE**



**USER MANUAL**

## 88P SXS PORTABLE POWERSPORTS SERIES COMPRESSOR

### IMPORTANT SAFETY INSTRUCTIONS:

---

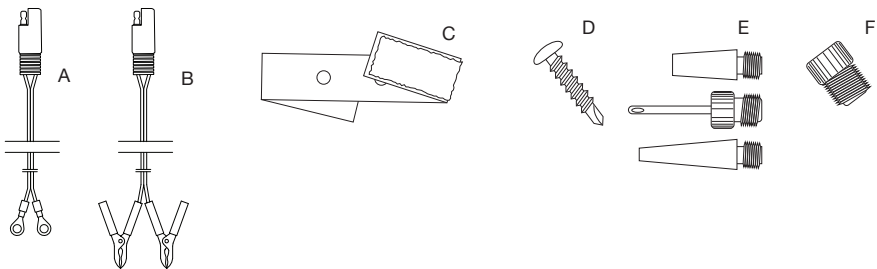
**CAUTION:** To reduce risk of electrical shock or electrocution:

- Do not disassemble. Do not attempt repairs or modifications.
- Refer to qualified service agencies for all service and repairs.
- Do not use this product in or area where it can fall or be pulled into water or other liquids.
- Do not reach for this product if it has fallen into liquid.
- Use this compressor with 12-Volt DC systems only.
- This product should never be left unattended during use.

**WARNING:** To prevent injury:

- Never allow children to operate this compressor.  
Close supervision is necessary when this compressor is being used near children.
- This compressor will become very HOT during and immediately after use.  
Do not touch any part of this compressor with bare hands, other than the handle and the ON/OFF switch during and immediately after use.
- Do not use this product near flames or explosive materials or where aerosol products are being used.
- Do not operate this product where oxygen is being administered.
- Do not pump anything other than atmospheric air.
- Never use this product while sleepy or drowsy.
- Do not use any tools or attachments without first determining maximum air pressure for that tool or attachment.
- Never point any air nozzle or air sprayer toward another person or any part of the body.
- Wear safety glasses or goggles when operating this product.
- Use only in well ventilated areas.

(Fig. 1) 88P SXS Air Compressor Kit Installation Parts List:



- A. Permanent 2-Pin SAE connector w/ 25-Amp in line fuse.
- B. 2-Pin SAE connector with alligator clips
- C. Velcro Strap (1)
- D. Self tapping screws (2)
- E. 3pcs inflation tips
- F. Presta Valve adapter

## 88P SXS PORTABLE POWERSPORTS SERIES COMPRESSOR

### INSTALLATION

---

Please read and follow the installation instructions carefully to avoid injury or damage to the compressor and your vehicle.

Each of our air compressors and parts have been carefully produced and packaged. Before you begin installation, please familiarize yourself with Installation Parts List (Fig. 1) of this manual.

#### **Guidelines for Selecting Mounting Location:**

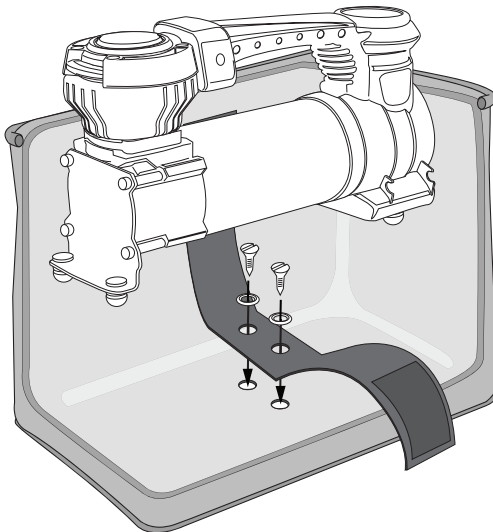
The selection of proper mounting location for your air compressor will help ensure a long and trouble free compressor service life. Please pay close attention to the following guidelines:

1. Select a FLAT, UPRIGHT, AND SECURE location where the compressor can be mounted.
2. Choose mounting location that is as cool as possible and AWAY FROM HEAT SOURCES. The cooler the ambient temperature, the less chance the compressor will overheat.
3. This compressor is moisture & dust resistant, but NOT DIRT OR WATERPROOF. Do not mount compressor in locations where the unit is likely to come in contact with the elements.
4. Do not mount compressor near areas where flammable liquids are stored.

### MOUNTING AND WIRING

---

1. Disconnect ground cable from vehicle's battery. Connect the provided permanent 2-Pin SAE connector to your battery.
2. Temporarily position the air compressor's bag in the location where it will be mounted.
3. Use the provided self tapping screws to mount the compressor's strap and the bag to the selected location.
4. Place the air compressor inside the bag and secure it with compressor's strap.



## 88P SXS PORTABLE POWERSPORTS SERIES COMPRESSOR

### OPERATING INSTRUCTIONS:

---

Please read and follow the operating instructions carefully to assure that you will enjoy the convenience and best use out of your air compressor.

1. Always operate the compressor AT OR BELOW THE MAXIMUM PRESSURE RATING of the compressor. Refer to Specifications section of this manual.
2. Always OBSERVE THE MAXIMUM DUTY CYCLE of the air compressor. Refer to Specifications section of this manual for details. Operations exceeding maximum pressure ratings and or duty cycle will result in damage to air compressor.
3. Please note that you may experience a slight delay (about ½ second) of the compressor's motor starting when the ON/OFF Switch is turned on while compressor is pressurized (when there is pressure in the line that the compressor is connected to). This is a normal delayed reaction, not a Compressor ON/OFF switch malfunction.
4. It is strongly recommended that you keep the vehicle's engine running while using the air compressor to prevent discharge of your vehicle's battery.
5. ONLY OPERATE THE AIR COMPRESSOR IN WELL VENTILATED AREAS.  
Compressor performance is enhanced when operating compressor with vehicle engine running.

**IMPORTANT:** Engine must be running while using this compressor.

Before attaching air compressor's power cord to power source, check to make sure that the ON/OFF switch of your compressor is in the **OFF** position. Attach the 2-Pin SAE connector coming from the battery to your compressor's 2-Pin SAE connector or use the provided alligator clamp connector

**CAUTION:** Your Portable Air Compressor is Moisture and Dust Resistant, but NOT WATER OR DIRT PROOF. Never place compressor in soft sand while running the compressor. Vibration from the compressor will cause the compressor to settle into soft sand, resulting in compressor drawing in foreign particles. Never expose compressor to water while running the compressor.

**IMPORTANT NOTE:**

TO AVOID DIRT AND MOISTURE CONTAMINATION AS WELL AS SHORTING THE POWER WIRE, PLEASE REPLACE SAE TERMINAL COVER WHEN NOT IN USE.

## 88P SXS PORTABLE POWERSPORTS SERIES COMPRESSOR

### **TIRE INFLATION:**

1. This compressor is designed to operate on 12-Volts DC.
2. To obtain power attach the 2-Pin SAE connector to your compressors's 2-Pin SAE connector or to the provided 2-Pin SAE connector with alligator clamps.
3. Turn your vehicle engine on.
4. Attach the twist-on air chuck to the tire's valve stem.
5. Turn the compressor power switch to ON and begin to inflate tire.
6. When the pressure gauge indicates the desired pressure, switch the unit OFF and remove the air hose from the tire's valve stem.

**Please Note:** During inflation, due to air velocity, pressure gauge cannot provide accurate pressure readings, to check and verify the actual tire pressure the compressor must be in OFF position.

**CAUTION:** To avoid over inflation, never exceed recommended pressure. Doing so may cause articles to burst and can cause serious bodily injury. Always make sure the Portable Compressor's power cord is uncoiled and fully extended when using your air compressor to avoid overheating the power cord

FOR ALL OTHER INFLATABLE OBJECTS, INCLUDING BICYCLE TIRES, TOYS, AND SPORTS BALLS:

**IMPORTANT:** Engine **MUST** be running while using this compressor.

1. A selection of inflation tips is provided to fit some inflatable objects. Simply screw the appropriate nozzle into the tip of the air hose.
2. Attach the appropriate nozzle to article to be inflated and turn the power switch to the ON position.
3. When article is inflated to desired firmness, turn the compressor off. Do not over inflate.

**IMPORTANT:** Make sure compressor sits upright while operating compressor. Do not operate compressor in any other position. Avoid tugging at compressor to move it. Instead, move compressor to the same side of vehicle as tires that are being aired up.

Always make sure the Portable Compressor's 10ft. power cord is uncoiled and fully extended when using your air compressor to avoid overheating the power cord.

## 88P SXS PORTABLE POWERSPORTS SERIES COMPRESSOR

### SAFETY PRECAUTIONS:

---

1. Always inflate tires to manufacturer's recommended tire pressures. Exercise extreme caution when driving with aired-down tires. Reinflate tires before high-speed roadway travel.
2. Never exceed 20 M.P.H. when driving with partially inflated tires.
3. Never make sharp turns while driving with reduced tire pressure.
4. Re-inflate tires before high speed traveling onto roadways.
5. Use heat-resistant, minimum 200 PSI-rated working pressure extension hose. Do not use aftermarket hoses with less than 200 PSI working pressure. Some aftermarket hoses may not be suitable for use with this air compressor due to heat and pressure typically generated by this type of air compressors.
6. The use of a close-ended tire chuck will cause excessive pressure buildup if tire chuck is not attached to tire valve stem while air compressor is in operation.

### MAINTENANCE & REPAIRS:

---

Turn OFF and unplug Air Compressor. Your air compressor is equipped with permanently lubricated, maintenance-free motor. Never try to lubricate the compressor. Use only mild soap and a cloth dampened with hot water to clean plastic parts. Avoid any type of detergents or solvents, which might contain chemicals that could damage plastic portions or painted surfaces of the compressor. All other services should be performed by a qualified technician.

### MODEL 88P SXS SPECIFICATIONS:

---

Part Number:	00082 / 88P SXS
Weight:	5.30 lbs. / 2.40 kg.
Voltage:	12V DC
Max.-Amp Draw:	20-Amps
Max. Working Pressure:	120 PSI*
Max. Duty Cycle (@ 72°F):	25min. @ 30 PSI
Flow Rate @ 0 PSI (13.8 Volts):	1.97 CFM
Dimensions:	9.8" (L) x 3.2" (W) x 5.6" (H)
Ambient Temperature:	-4°F ~ 158°F
Ingress Protection Rating:	IP53

\* Do not exceed compressor's max working pressure to prevent damage to the compressor.

THIS PAGE INTENTIONALLY LEFT BLANK

### **LIMITED WARRANTY:**

VIAIR® Corporation warrants this product, when properly installed and under normal conditions of use, to be free from defects in workmanship and materials for a period of one year from its original date of purchase. To receive warranty service or repair, please contact VIAIR® Corporation.

Returns should be made within one year of the date of purchase, after a Return Goods Authorization (RGA) number has been assigned by VIAIR® Corporation. To obtain RGA, fax a copy of your receipt to (949) 585-0188. For complete warranty details, please visit: [www.viaircorp.com/warranty](http://www.viaircorp.com/warranty)

### **PLEASE NOTE:**

THIS WARRANTY COVERS PRODUCT DEFECTS ONLY; IT DOES NOT COVER INCIDENTAL OR CONSEQUENTIAL DAMAGES AS RESULT OF MISUSE OR ABUSE.

This Manual is proprietary to VIAIR® Corporation and no ownership rights are hereby transferred. No part of the Manual shall be used, reproduced, translated, converted, adapted, stored in a retrieval system, communicated or transmitted by any means, for any commercial purpose, including without limitation, sale, resale, license, rental or lease, without the prior express written consent of VIAIR®. VIAIR® does not make any representations, warranties or guarantees, express or implied, as to the accuracy or completeness of the Manual. Users must be aware that updates and amendments will be made from time to time to the Manual. It is the user's responsibility to determine whether there have been any such updates or amendments. Neither VIAIR® nor any of its directors, officers, employees or agents shall be liable in contract, tort or in any other manner whatsoever to any person for any loss, damage, injury, liability, cost or expense of any nature, including without limitation incidental, special, direct or consequential damages arising out of or in connection with the use of the Manual.

All third party product names, logos, and brands are property of their respective owners. All company, product service and trademark names are for identification purposes only. Use of these names, logos, and brands does not imply ownership or endorsement.



15 EDELMAN • IRVINE, CA 92618

TEL: (949) 585-0011

FAX: (949) 585-0188

[www.viaircorp.com](http://www.viaircorp.com)