

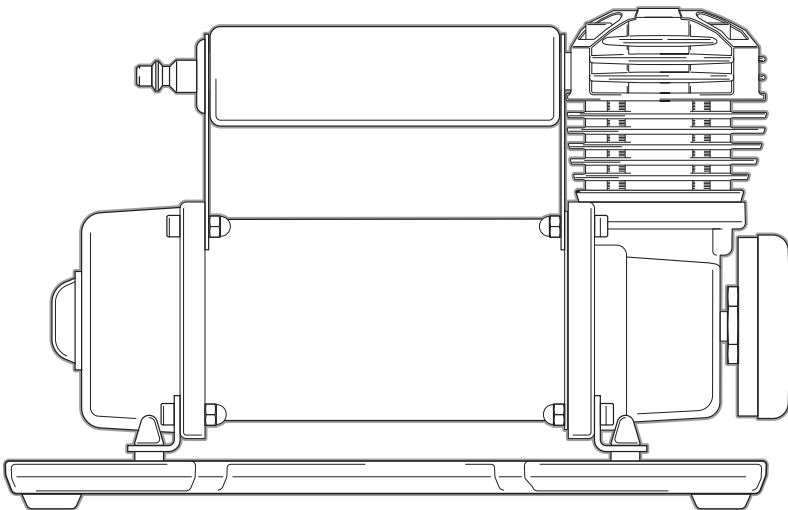


Your Vital Air Source

400P PORTABLE COMPRESSOR WITH ENHANCED FLOW TECHNOLOGY

PART NO. 40143

USER MANUAL



IMPORTANT:

It is essential that you and any other operator of this product read and understand the contents of this manual before installing and using this product.

SAVE THIS MANUAL FOR FUTURE REFERENCE



400P PORTABLE COMPRESSOR WITH ENHANCED FLOW TECHNOLOGY

IMPORTANT SAFETY INSTRUCTIONS

CAUTION - To reduce risk of electrical shock or electrocution:

- Do not disassemble. Do not attempt repairs or modifications. Refer to qualified service agencies for all service and repairs.
- Do not use this product in an area where it can fall or be pulled into water or other liquids.
- Do not reach for this product if it has fallen into liquid.
- Use this compressor with 12-Volt DC systems only.
- This product should never be left unattended during use.

WARNING - To prevent injuries:

- Never allow children to operate this compressor. Close supervision is necessary when this compressor is being used near children.
- This compressor will become very HOT during and immediately after use. Do not touch any part of this compressor with bare hands, other than the ON/OFF switch during and immediately after use.
- Do not use this product near flames or explosive materials or where aerosol products are being used.
- Do not operate this product where oxygen is being administered.
- Do not pump anything other than atmospheric air.
- Never use this product while sleepy or drowsy.
- Do not use any tools or attachments without first determining maximum air pressure for that tool or attachment.
- Never point any air nozzle or air sprayer toward another person or any part of the body.
- This air compressor is equipped with an Automatic Reset Thermal Protector, and can automatically restart after the thermal protector resets. Always cut off power source when thermal protector becomes activated.
- Wear safety glasses or goggles when operating this product.

FEATURES

1. EF (Enhanced Flow) Technology
2. 2-Pin SAE Power connection
3. Patented I-Beam Sand Tray
4. Stealth Black Look
5. Rugged Carry Bag
6. High Flow Output for Oversize Tires

WHAT'S IN THE BOX

1. 400P Portable Compressor with Enhanced Flow Technology with Patented Vibration-Resistant I-Beam Sand Tray
2. 5-in-1 Tire Inflator/Deflator Air Hose with Inline 100 PSI Gauge
3. Dual Battery Clamps with 2-Pin SAE Connector
4. Heavy Duty Deluxe Carry Bag
5. 3pc. Inflation Tips Kit
6. Presta Valve Adaptor

400P PORTABLE COMPRESSOR WITH ENHANCED FLOW TECHNOLOGY

OPERATING INSTRUCTIONS

Please read and follow the operating instructions carefully to assure that you will enjoy the convenience and best use out of your air compressor.

1. Always operate the compressor AT OR BELOW THE MAXIMUM PRESSURE RATING of the compressor. Refer to Specifications section of this manual.
2. Always OBSERVE THE MAXIMUM DUTY CYCLE of the air compressor. Refer to Specifications section of this manual for details. Operations exceeding maximum pressure ratings and or duty cycle will result in damage to air compressor.
3. Your air compressor is equipped with an AUTOMATIC THERMAL OVERLOAD PROTECTOR. This feature is designed to protect the air compressor from overheating causing permanent damage to your air compressor. The thermal overload protector will automatically cut off power to air compressor should internal operating temperature of the air compressor rise above safe levels during excessive use.
4. Should at any time during use, your air compressor automatically shuts off, do not attempt to restart air compressor. Turn ON/OFF switch of air compressor to the OFF position. The automatic thermal overload protector will automatically reset when internal temperature of the air compressor drops below safe level. After allowing air compressor to cool off for about 30 minutes, you can safely resume use of the air compressor by turning on the air compressor.
5. Please note that you may experience a slight delay (about ½ second) of the compressor's motor starting when the On/Off Switch is turned on while compressor is pressurized (when there is pressure in the line that the compressor is connected to). This is a normal delayed reaction, not a Compressor ON/OFF switch malfunction.
6. It is strongly recommended that you keep the vehicle's engine running while using the air compressor to prevent discharge of your vehicle's battery. Compressor performance is enhanced when operating compressor with vehicle engine running.
7. ONLY OPERATE THE AIR COMPRESSOR IN WELL VENTILATED AREAS.
8. Always make sure the Portable Compressor's power cord is uncoiled and fully extended when using your air compressor to avoid overheating the power cord.
9. Make sure the compressor sits upright while operating compressor. Do not operate the compressor in any other position. Avoid tugging at compressor to move it. Instead, move compressor to the same side of vehicle as tires that are being aired up.

IMPORTANT: Engine must be running while using this compressor.

Before attaching air compressor's power cord to power source, check to make sure that the ON/OFF switch of your compressor is in the **OFF** position.

CAUTION: Your Portable Air Compressor is Moisture and Dust Resistant, but NOT WATER OR DUST PROOF. Never place compressor in soft sand while running the compressor. Vibration from the compressor will cause the compressor to settle into soft sand, resulting in compressor drawing in foreign particles. Never expose compressor to water while running the compressor.

CAUTION: The extension hose and fittings connected extension hose will become very HOT during and after use. If necessary, wear heat resistant gloves to remove hose from the compressor quick connect stud.

This air compressor comes with ¼" quick connects stud. Your Inline Deflator comes with extension coil hose with ¼" quick coupler. Simply attach this multifunction extension coil hose to the ¼" quick connect stud and you are ready to inflate tires. The Inline Inflator/Deflator Hose can be used for both Airing Up and Airing Down. Please familiarize yourself with the following different functions of this versatile air tool.

400P PORTABLE COMPRESSOR WITH ENHANCED FLOW TECHNOLOGY

OPERATING INSTRUCTIONS (cont'd)

IMPORTANT: Engine *MUST* be running while using this compressor.

TIRE INFLATION:

1. Make sure the Air Filter is installed on the compressor.
2. Attach the coil hose quick connect coupler to the air compressor's quick connect stud
3. Attach the press-on chuck to the valve stem on your tire.
4. Connect the compressor's SAE power cable to SAE Alligator Clamps cable.
5. To obtain power, attach the alligator clamps to the battery. Remember: Red to positive and Black to negative. Make sure the compressor is in the OFF position prior to attaching the battery clamps to the battery
6. START your engine
7. Turn the compressor ON (I) for ON and (O) for OFF)
8. Monitor the tire pressure using the inline pressure gauge on the coil hose, when the desired pressure is reached, turn the compressor OFF, and remove the tire chuck from the tire stem.
9. Remove the alligator clamps from the battery.
10. IMPORTANT: Make sure to cool the compressor down before storing it back in the carry bag.

HANDS-FREE CONTINUOUS DEFLATION:

1. Push the tire chuck, with the lever in the upright position, down over the tire valve stem and then push the lever down to the horizontal position to lock in place.
2. Push Deflator Collar toward tire valve stem and turn Deflator Collar clockwise to engage lock.
3. When desired pressure is reached, turn Deflator Collar counterclockwise to disengage lock.

INTERMITTENT DEFLATION:

1. The intermittent deflation function offers fast downward pressure adjustments.
2. With tire chuck attached to tire valve stem, push Deflator Collar toward tire valve stem to decrease tire pressure.
3. Release Deflator Collar to halt deflation.

INLINE PRESSURE GAUGE:

1. The 2-inch Inline Pressure Gauge provides convenient tire pressure monitoring when airing up or down. This eliminates switching back and forth between a tire chuck and a tire pressure gauge.
2. Please note that during inflation and deflation, due to air velocity, pressure gauge cannot provide accurate pressure readings. Momentarily halt inflation or deflation to obtain accurate pressure readings.

FOR ALL OTHER INFLATABLE OBJECTS, INCLUDING BICYCLE TIRES, TOYS, AND SPORTS BALLS:

1. A selection of inflation tips is provided to fit some inflatable objects. Simply screw the appropriate nozzle into the tip of the air hose.
2. Attach the appropriate nozzle to article to be inflated and turn the power switch to the ON position.
3. When article is inflated to desired firmness, turn the compressor off. Do not over inflate.

400P PORTABLE COMPRESSOR WITH ENHANCED FLOW TECHNOLOGY

SAFETY PRECAUTIONS

1. Always inflate tires to manufacturer's recommended tire pressures. Exercise extreme caution when driving with aired-down tires. Reinflate tires before high-speed roadway travel.
2. Never exceed 20 M.P.H. when driving with partially inflated tires.
3. Never make sharp turns while driving with reduced tire pressure.
4. Re-inflate tires before high-speed traveling onto roadways.
5. Use heat-resistant, minimum 200 PSI-rated working pressure extension hose. Do not use aftermarket hoses with less than 200 PSI working pressure. Some aftermarket hoses may not be suitable for use with this air compressor due to heat and pressure typically generated by this type of air compressors.
6. The use of a close-ended tire chuck will cause excessive pressure buildup if tire chuck is not attached to tire valve stem while air compressor is in operation.

IMPORTANT: Always use an Open-Ended tire chuck such as the tire chuck equipped on the Deflator/Inflator Coil Hose for tire inflation when using a compressor without an air tank.

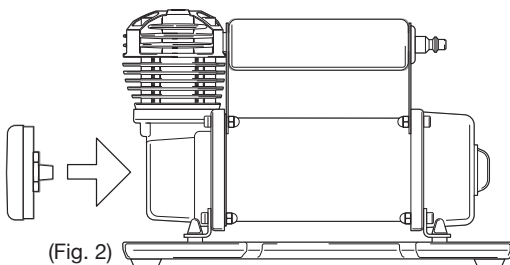
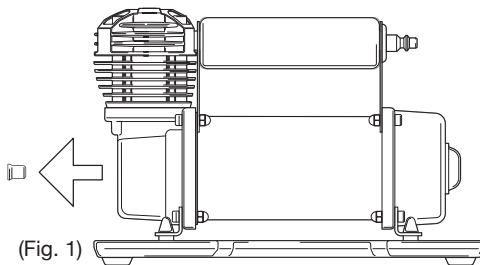
MAINTENANCE & REPAIRS

Your air compressor is equipped with permanently lubricated, maintenance-free motor. Never try to lubricate the compressor. Regularly clean dust and dirt from compressor cooling fins and motor housing. All repairs should be performed by Manufacturer or Manufacturer authorized service agencies only.

INLET AIR FILTER INSTALLATION INSTRUCTION

1. Check to make sure air filter element is properly installed in your Inlet Air Filter Assembly
2. Remove the temporary protective red plug from compressor's air inlet port (Fig. 1).
3. Install inlet air filter onto compressor's air inlet port (Fig. 2). (Thread tape Not Recommended).
4. Hand tightens inlet air filter.

IMPORTANT: For optimal compressor performance, replace filter element periodically. Clogged filter will drastically reduce compressor flow rate and performance.



400P PORTABLE COMPRESSOR WITH ENHANCED FLOW TECHNOLOGY

MODEL 400P SPECIFICATIONS:

Part Number:	40143
Motor Voltage:	12-Volt
Max. Current Consumption:	30-Amps
Fuse:	40-Amps
Motor Type:	Permanent Magnetic
Max. Working Pressure:	150 PSI*
Continuous Use @ 72°F & 100 PSI:	Approx. 20 Minutes
Continuous Use @ 72°F & 40 PSI:	Approx. 1 Hour
Inline Pressure Gauge:	100 PSI *Tolerance: ± 3%
Auto. Reset Thermal Protection:	Yes
Ingress Protection Rating:	IP54

* Do not exceed compressor's max working pressure to prevent damage to the compressor.

TROUBLESHOOTING GUIDE

Compressor will not run	<ol style="list-style-type: none"> 1. No power, or power switch in OFF position 2. Blown fuse 3. Motor overheats 	<ol style="list-style-type: none"> 1. Make sure compressor switch is ON 2. Disconnect compressors from power source, replace fuse (Refer to Specifications section for correct fuse amperage.) 3. Let compressors cool off for about 30 Minutes to allow thermal overload switch reset.
Thermal overload protector cuts out repeatedly	<ol style="list-style-type: none"> 1. Lack of proper ventilation or ambient temperature too high 2. Compressor valves failed 	<ol style="list-style-type: none"> 1. Move compressor to well ventilated area, or area with lower ambient temperature 2. Service or replace compressor
Excessive knocking or rattling	<ol style="list-style-type: none"> 1. Worn bearing on eccentric or motor shaft 2. Cylinder or piston ring is worn 	<ol style="list-style-type: none"> 1. Service or replace compressor
Compressor air flow lower than normal, or cannot pump to higher pressures	<ol style="list-style-type: none"> 1. Worn piston ring or inlet valve 	<ol style="list-style-type: none"> 1. Service or replace compressor

400P PORTABLE COMPRESSOR WITH ENHANCED FLOW TECHNOLOGY

LIMITED WARRANTY:

VIAIR® Corporation warrants this product, when properly installed and under normal conditions of use, to be free from defects in workmanship and materials for a period of one year from its original date of purchase. To receive warranty service or repair, please contact VIAIR® Corporation.

Returns should be made within one year of the date of purchase, after a Return Goods Authorization (RGA) number has been assigned by VIAIR® Corporation. To obtain RGA, fax a copy of your receipt to (949) 585-0188. For complete warranty details, please visit: www.VIAIRcorp.com/warranty

PLEASE NOTE:

THIS WARRANTY COVERS PRODUCT DEFECTS ONLY; IT DOES NOT COVER INCIDENTAL OR CONSEQUENTIAL DAMAGES AS RESULT OF MISUSE OR ABUSE.

This Manual is proprietary to VIAIR® Corporation and no ownership rights are hereby transferred. No part of the Manual shall be used, reproduced, translated, converted, adapted, stored in a retrieval system, communicated or transmitted by any means, for any commercial purpose, including without limitation, sale, resale, license, rental or lease, without the prior express written consent of VIAIR®.

VIAIR® does not make any representations, warranties or guarantees, express or implied, as to the accuracy or completeness of the Manual. Users must be aware that updates and amendments will be made from time to time to the Manual. It is the user's responsibility to determine whether there have been any such updates or amendments. Neither VIAIR® nor any of its directors, officers, employees or agents shall be liable in contract, tort or in any other manner whatsoever to any person for any loss, damage, injury, liability, cost or expense of any nature, including without limitation incidental, special, direct or consequential damages arising out of or in connection with the use of the Manual.



15 EDELMAN • IRVINE, CA 92618
TEL: (949) 585-0011 • FAX: (949) 585-0188
www.VIAIRcorp.com