

Hellwig PRODUCTS.com

559-734-7451 800-367-5480 FAX 559-734-7460

INSTALLATION INSTRUCTIONS FRONT STABILIZER BAR

1967-72 A-Body Mopar

Thank you for purchasing a quality Hellwig Product.

PLEASE READ THIS INSTRUCTION SHEET COMPLETELY BEFORE STARTING YOUR INSTALLATION



TORQUE TABLE

BOLT SIZE: 3/8" = 20-30 ft. lbs. - 7/16" = 35-45 ft. lbs. - 1/2" = 50-70 ft. lbs. - 9/16" = 70-90 ft. lbs.

SAFETY: BEFORE STARTING YOUR INSTALLATION, BE SURE TO SET PARKING BRAKE AND CHOCK TIRES.

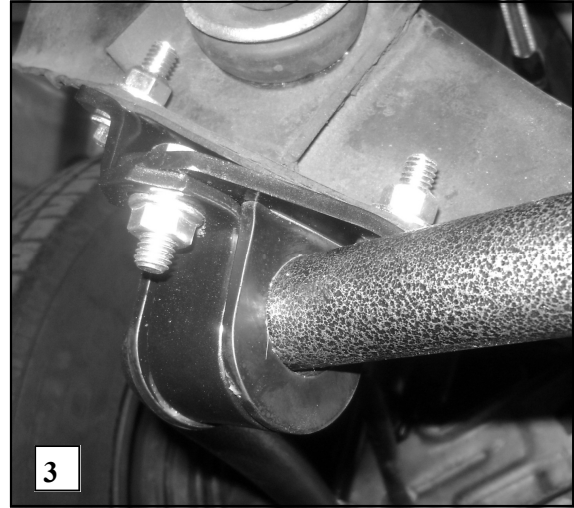
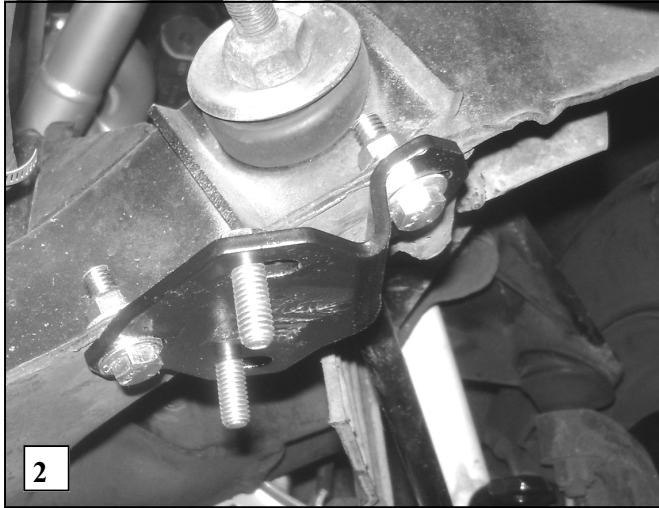
NOTE: TO EASE INSTALLATION AND TO PROPERLY ADJUST THE SWAY BAR, THE WEIGHT OF THE VEHICLE MUST BE ON THE SUSPENSION AS IF DRIVING DOWN THE ROAD. DO NOT RAISE THE VEHICLE BY THE FRAME.

NOTE: THIS UNIT IS DESIGNED AS A REPLACEMENT FOR THE FACTORY INSTALLED FRONT ANTI-SWAY BAR OR AS AN ADDITION IF NOT EQUIPPED.

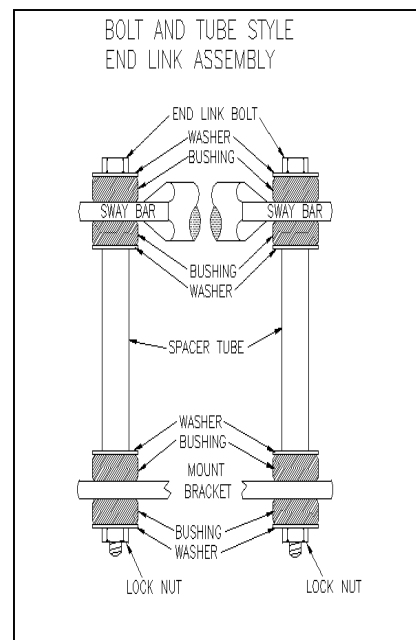
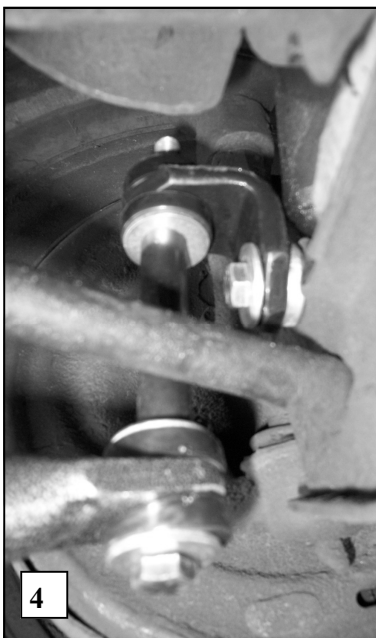
NOTE: THIS KIT INCLUDES LOCK NUTS WHICH REQUIRE TIGHTENING WITH A WRENCH AFTER BEING STARTED BY HAND.

Hellwig PRODUCTS.com

559-734-7451 800-367-5480 FAX 559-734-7460



1. If equipped, remove the factory installed anti sway bar and the mounting hardware.
2. Locate holes in K-member and install the mounting brackets and crossbars as shown in photo (2). Attach the mounting brackets with 3/8-16 X 1" bolts, washers, and locknuts. Insert the 3/8-16 X 1-1/4" bolts into crossbars as shown in photo (2). After inserting crossbars with bolts, tighten frame bolts to 25 ft-lb.
3. Lubricate the inside diameter of the D-shaped polyurethane bushings and install them on the new sway bar in locations shown in photo (1). Attach U-plates to bushings and mount sway bar to brackets using flanged nuts. Leave loose at this time for adjustment later.
4. If equipped with factory sway bar mounts, assemble end links as shown in diagram below. Tighten nut until bushings bulge slightly
5. If not equipped with factory sway bar mounts, remove lower shock bolt and attach angle brackets to lower control arm as shown in photos (4) & (5) using 7/16-20 x 2-3/4" bolt with thick washer placed between control arm and bracket. Torque bolt to 40-45 ft-lb.



Hellwig **PRODUCTS.com**

559-734-7451 800-367-5480 FAX 559-734-7460

6. Assemble end links as shown in the diagram and photos (4) & (5). Tighten nut until end links bulge slightly.
7. Center sway bar in bushings and align crossbars for best fit. When satisfied with alignment of sway bar, tighten flange nuts to 25 ft-lb.
8. Be sure that all bolts are tightened to specifications. Re-check your installation, check for clearance on all undercarriage components; wiring, springs, fuel and brake lines.
9. Turn wheels full lock left and then right, check for clearance on tires, wheels and steering components, brake components and hoses. If equipped with disk brakes check clearance of calipers and hoses to shock mounting bolt, end link bracket, and end links.
10. After one week of driving recheck your installation. Re-check on regular basis thereafter.

ATTENTION INSTALLER: BE SURE THAT THE CUSTOMER RECEIVES THIS INSTRUCTION SHEET, ALL IMPORTANT NOTE CARDS AND THE WARRANTY FORM