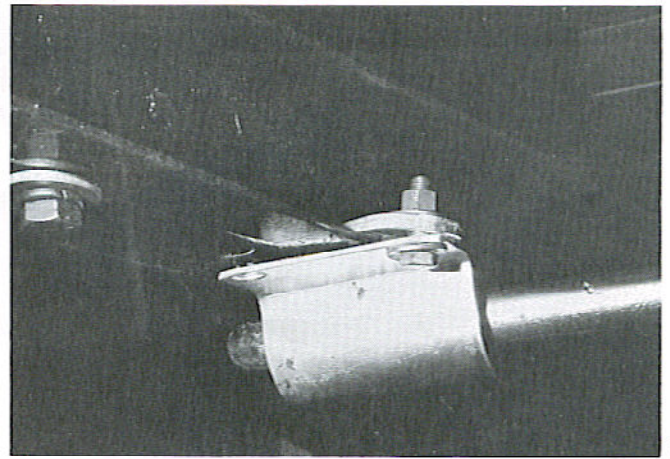
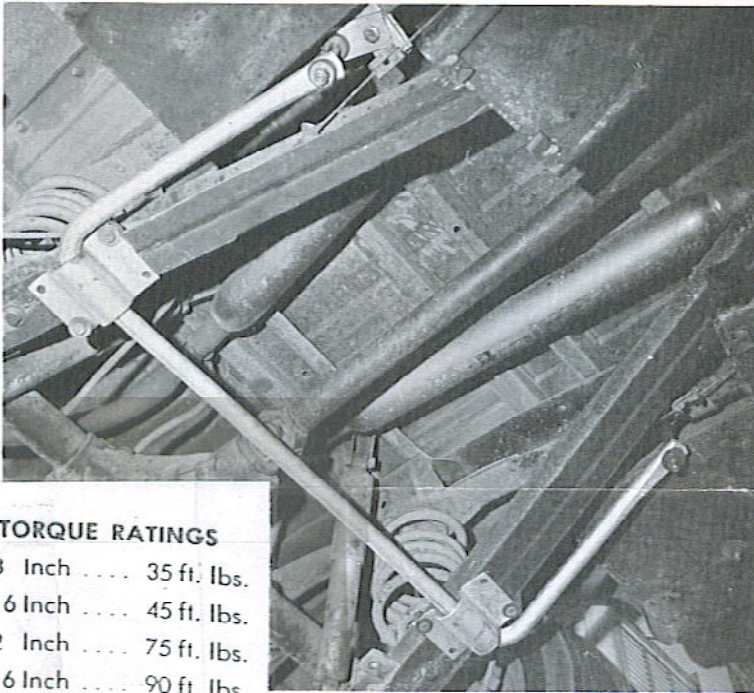


HELLWIG INSTALLATION INSTRUCTIONS



2

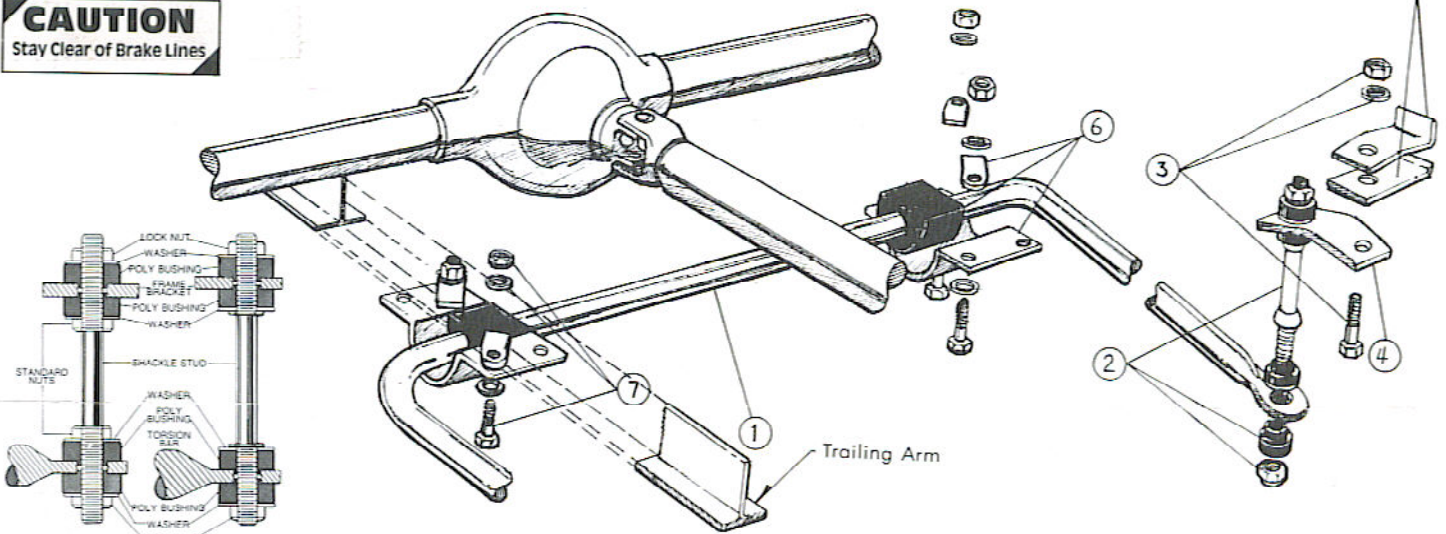
TORQUE RATINGS

3/8 Inch	35 ft. lbs.
7/16 Inch	45 ft. lbs.
1/2 Inch	75 ft. lbs.
9/16 Inch	90 ft. lbs.
5/8 Inch	120 ft. lbs.

- ① Torsion Bar
- ② Shackle Assembly
- ③ Frame Bracket Bolt
- ④ Frame Bracket
- ⑤ Scarf Bracket and Plate
- ⑥ Axle Bracket and D-Bushing
- ⑦ Axle Bracket Bolt Assembly

CAUTION

Stay Clear of Brake Lines



3

1. Install shackle kit on torsion bar bracket and torsion bar, illustration No. 3. Tighten nuts so bushing starts to bulge slightly.
2. Install large D-shaped bushings on torsion bar.
3. Raise torsion bar up into position, place frame angle bracket inside of frame. **Make sure all wires and lines are clear.** photo No. 1. Place sheared locking plate under frame, illustration No. 3. Align torsion bar bracket under sheared locking plate so shackle is near vertical position, secure this assembly with 2" bolt on frame, illustration No. 3.

Note: Torsion bar brackets will angle across the frame rail. photo No. 1.

4. Bounce the vehicle and check for clearance on all undercarriage components. Be sure all nuts and bolts are securely fastened and double nuts used where necessary or provided.
5. Recheck your installation, look for clearance on gas lines, exhaust pipes, brake lines, wiring, etc. After one week of driving check your installation and every 30 (thirty) days there after.