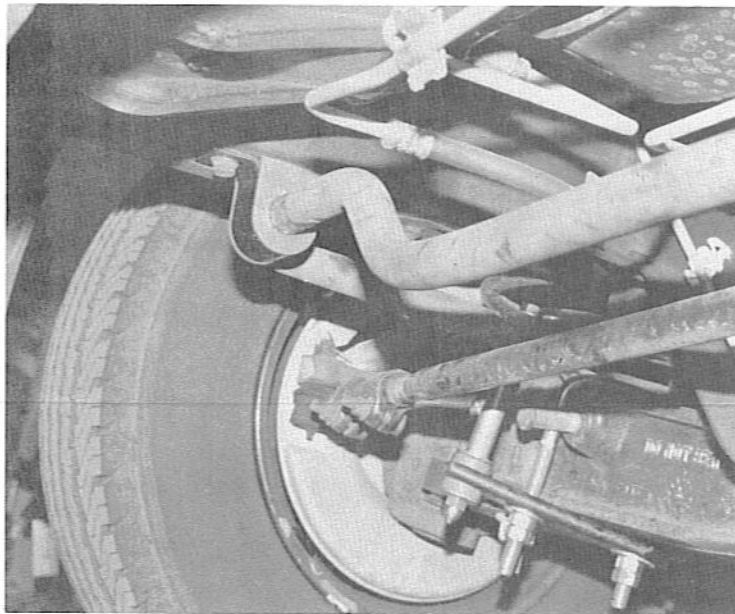
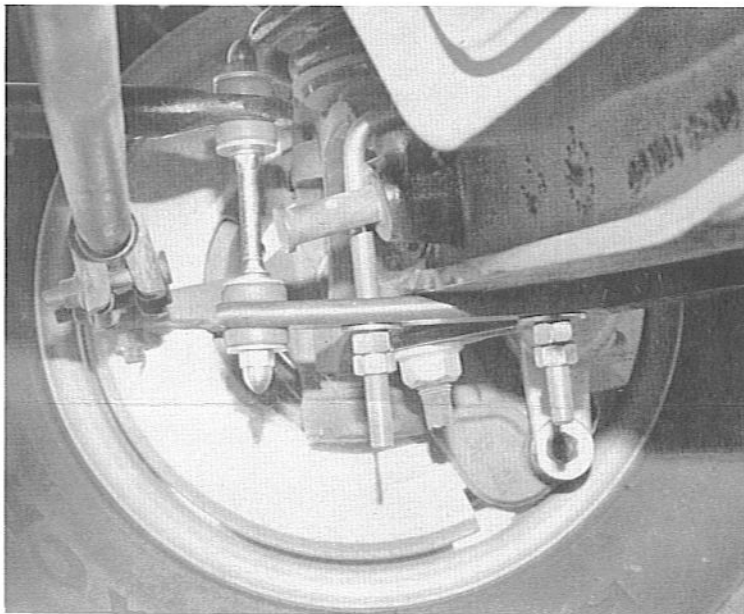




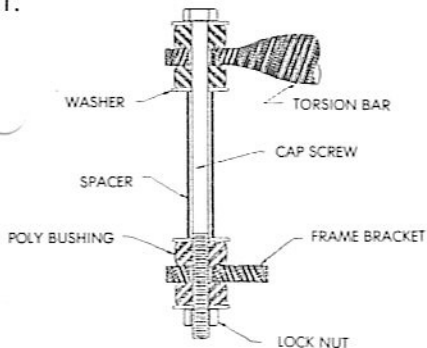
HELLWIG INSTALLATION INSTRUCTIONS

FACTORY AND GENERAL OFFICES • 16237 AVENUE 296, VISALIA, CA 93292 • (209) 734-7451

READ THIS INSTRUCTION SHEET COMPLETELY BEFORE STARTING YOUR INSTALLATION



1.



2.

TORQUE RATINGS

3/8 Inch	35 ft. lbs.
7/16 Inch	45 ft. lbs.
1/2 Inch	75 ft. lbs.
9/16 Inch	90 ft. lbs.
5/8 Inch	120 ft. lbs.



NOTE: THIS UNIT IS DESIGNED TO REPLACE THE FACTORY INSTALLED FRONT ANTI-SWAY BAR.

1. Remove the factory installed front anti-sway bar, keep the 4 frame mounting bolts as they will be reused.
2. Place the D-shaped poly bushings on the new bar in the same location as on the factory bar.
3. Place the U-plates over the D-bushings on the bar and mount the bar to the frame in the same location as the factory bar. Be sure the ends of the bar are above the steering before attaching the bar to the frame. LEAVE LOOSE AT THIS TIME.
4. As per the photos, place the U-bolts over the I-beam and mount the flat plates to the bottom of the I-beam so the third hole is below the ends of the bar. LEAVE LOOSE AT THIS TIME.
5. As per the photos and diagram, assemble the end links between the bar and the flat plates.
6. With the bar still loose, align the bar and the U-bolts and flat plates so the bar is as centered as possible and so the end links are as straight up and down as possible.
7. Torque all mounting hardware to the specified rate.
8. Turn the wheels full lock left and right and bounce the vehicle checking for clearance on all under carriage components, steering, tires, wires, hoses, etc.
9. Recheck your installation after one week of driving and every thirty (30) days thereafter.

ATTENTION INSTALLER: BE SURE THE CUSTOMER RECEIVES THIS INSTRUCTION SHEET, ALL IMPORTANT NOTE CARDS, WARNING CARDS AND THE WARRANTY FORM.