



Dual Steering Stabilizer (Y-Style)

Dodge Ram 2500/3500 Pickup | 2003-2008

Part #: 55357

Rev. 051319

491 W. Garfield Ave., Coldwater, MI 49036 • Phone: 517-279-2135

Web: www.bds-suspension.com • E-mail: tech-bds@ridefox.com



Box Kit		
Part #	Qty	Description
01525	1	Drivers Side Bracket
01526	1	Passengers Side Bracket
01527	1	Center Tie Rod Bracket
561120214RB	3	5/16"x1-1/4"x2" U-bolt
309	1	Bolt Pack
	8	1/4" USS Washers
	8	5/16"-18 Torque Prevailing Nuts
317	1	Bolt Pack
	7	1/2"-13 Torque Prevailing Nuts
	4	1/2"-13x1-1/2" Bolt Grade 5
	3	1/2"-x2-1/2" Bolt Grade 5
	12	1/2" SAE Washers
	3	1/2" USS Washers

SAFETY WARNING

BDS Suspension Co. recommends this system be installed by a professional technician. In addition to these instructions, professional knowledge of disassembly/ reassembly procedures and post installation checks must be known.

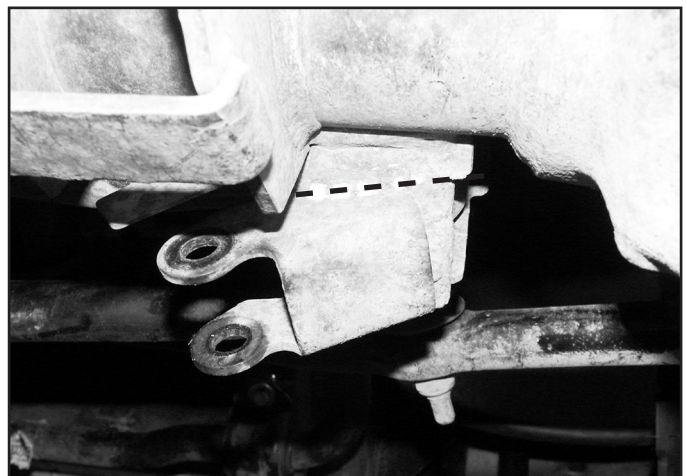
INSTALLATION INSTRUCTIONS

1. Park vehicle on clean level surface with wheels facing straight ahead. Block rear wheels for safety.
2. Remove OE stabilizer and discard hardware.
3. Cutoff passenger's side OE stabilizer mount as shown (Fig 1- front, Fig 2 – back).

FIG 1



FIG2

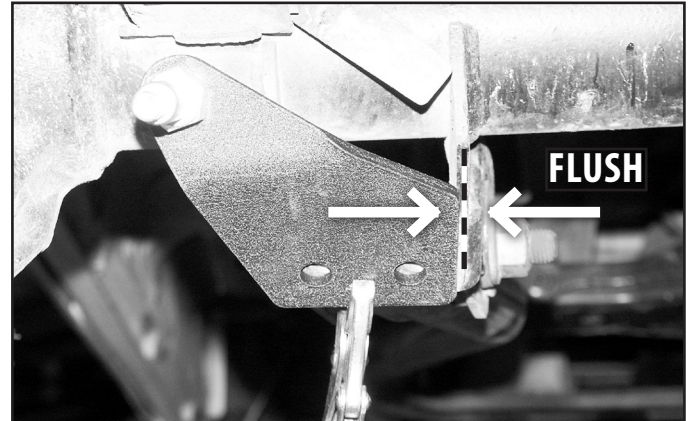


4. Install studs into driver's and passenger's side brackets with lock washer and nut as shown in Figure 4. Torque to 65 ft-lbs.
5. Clamp passenger's side bracket (#01526) on lower control arm mount. Ensure that edges of the bracket are aligned with OE brackets. (Fig 3 & 4) Note: The top hole in the bracket will be offset to the outside of the vehicle.

FIG 3

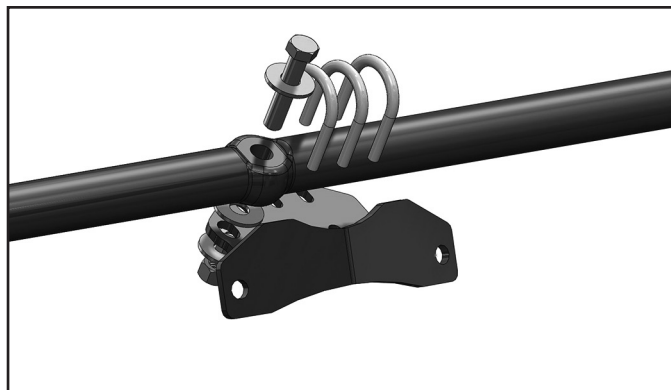


FIG 4



6. Mark hole centers and drill two 1/2" holes in the OE bracket.
7. Install 1/2" x 1-1/4" bolts, washers, and nuts from bolt pack #317 and torque to 75 ft-lbs.
8. Repeat steps 4-6 for driver's side bracket (#01525).
9. Loosely install center bracket (#01527) as shown in Figure 5. Use the larger diameter USS washers on the 1/2" x 2-1/2" bolt. A 1/2" USS washer is required between the center bracket and drag link. Install the 5/16" U-bolts with washers and nuts from Bolt Pack 309 at this time.

FIG 5



10. Lightly grease bushings and install into both ends of stabilizers.
11. Install sleeve (#51792-1) into end of stabilizer that will connect to center mounting bracket.
12. Attach passenger's side stabilizer mounting bracket with included hardware. Torque to 55 ft-lbs. Repeat for driver's side.
13. Install stabilizers into center bracket with 1/2" x 2-1/2" bolts, washers, and nuts. Torque to 75 ft-lbs. (Fig 6)

FIG 6



14. Check all hardware for proper torque.
15. Check hardware after 500 miles.

TIME TO HAVE SOME FUN

Thank you for choosing BDS Suspension.

For questions, technical support and warranty issues relating to this BDS Suspension product, please contact your distributor/installer before contacting BDS Suspension directly.



WE WANT TO SEE YOUR RIDE!

Grab photos of your BDS-equipped truck in action and send them in for a chance to be featured. Send it in to our Bad Ass Rides customer gallery at bds-suspension.com/bar and post them on the BDS Fan Page on Facebook at facebook.com/BDSSuspensions. Don't forget about your BDS swag! BDS offers t-shirts, hoodies, decals and more available on the BDS website or through your local BDS distributor.