

advanced FLOW engineering

Magnum FORCE Cold Air Intake System

Instruction Manual P/N: 51-12912-B / 51-12912-B / 51-12912-C / 54-12912-C

Make: **BMW** Model: **340i/ix/GT (F30/F31/F34)** Year: **2016-2019** Engine: **L6-3.0L (t) B58**

Make: **BMW** Model: **440i/ix/Gran Coupe (F32/F36)** Year: **2016-2020** Engine: **L6-3.0L (t) B58**

Make: **BMW** Model: **M140i/M240i (F20/F21/F22)** Year: **2016-2021** Engine: **L6-3.0L (t) B58**

Note: **Does NOT fit Convertible Models**



- Please read the entire instruction manual before proceeding.
- Ensure all components listed are present.
- If you are missing any of the components, call technical support at 951-493-7185 or e-mail tech@afepower.com.
- Ensure you have all necessary tools before proceeding.
- Do not attempt to work on your vehicle when the engine is hot.

Retain factory parts for future use.

Label	Qty.	Description	Part Number
A1	1	Air Filter (Pro 5R)	24-90096
A2	1	Air Filter (Pro DRY S)	21-90096
B1	1	Cover, Black	05-12912B2
B2	1	Cover, Carbon Fiber Look	05-12912C2
C	1	Tube	05-76309B4
D	1	Plug, Silicone	05-01387
E	1	Coupling, Silicone Dbl. Hump	05-01417
F	2	Clamp, #060	03-50002
G	2	Screw, Torx: M4	03-50490

Installation will require the following tools:

Phillips screwdriver & 8mm nut driver, flat head screwdriver, T20 torx driver.

Note: Not legal for use in California. The use of this device in any on-road or off-road vehicles registered with the California Dept of Motor Vehicles (DMV) is strictly prohibited.

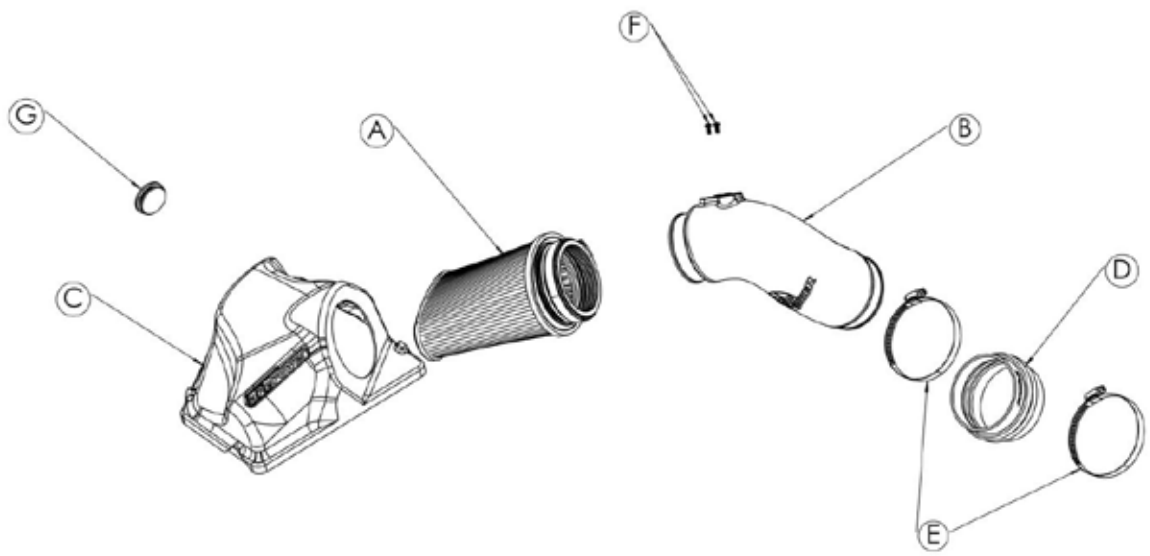




Figure A

Refer to Figure A for Steps 1-4

Step 1: Disconnect the MAF sensor harness.

Step 2: Unclip the top of the OE airbox.

Step 3: Loosen the clamp on the OE intake tube connecting to the turbo inlet tube.

Step 4: Remove the top of the airbox and tube out of the vehicle.



Figure B

Refer to Figure B for Steps 5-7

Step 5: Pre-install the aFe air filter with clamp through the aFe housing, assure the filter retain groove is snapped into along the housing.

Step 6: Install the aFe housing onto the bottom OE airbox, securing it with the OE clips.

Step 7: Install the coupling onto the turbo inlet tube with clamps. Do not tighten clamps at this time.



Figure C

Refer to Figure C for Step 8

Step 8: Transfer the MAF sensor from the OE intake tube to the aFe tube with the supplied hardware.



Figure D

Refer to Figure D for Steps 9-13 (Old revision tube shown on picture)

Step 9: Insert the aFe intake tube into the filter then into the coupling.

Step 10: Align the tube with filter and coupling, tighten clamps on coupling then filter.

Step 11: Re-plug MAF sensor harness.

Step 12: Make sure all clamps and bolts are tighten.

Step 13: Installation is now complete. Thank you for choosing aFe Power!



advanced FLOW engineering, inc.

Corona, CA 92879

afepower.com/contact