

advanced FLOW engineering Magnum FORCE Stage-2 Cold Air Intake System

Instruction Manual P/N: 54-13053D / 54-13053R

Make: BMW	Model: 325i (E90/91)	Year: 2006	Engine: L6-3.0L Non-Turbo (N52)
Make: BMW	Model: 330i (E90/91/92/93)	Year: 2006	Engine: L6-3.0L Non-Turbo (N52)
Make: BMW	Model: 328i (E90/91/92/93)	Year: 2007-2013	Engine: L6-3.0L Non-Turbo (N52)
Make: BMW	Model: 128i (E82/88)	Year: 2008-2013	Engine: L6-3.0L Non-Turbo (N52)



- Please read the entire instruction manual before proceeding.
- Ensure all components listed are present.
- For technical support please call at 951-493-7185.
- Ensure you have all necessary tools before proceeding.
- Do not attempt to work on your vehicle when the engine is hot.
- Retain factory parts for future use.

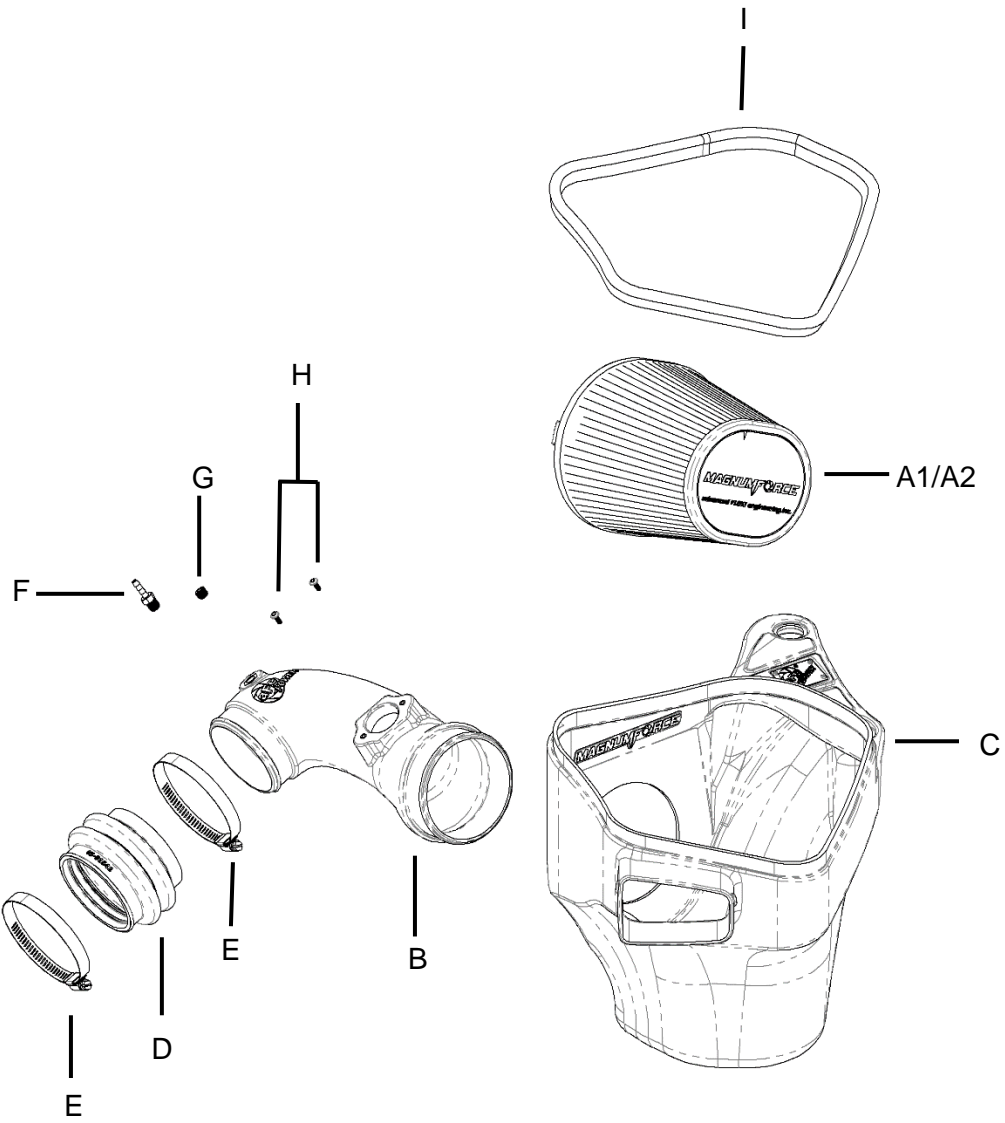
Label	Qty.	Description	Part Number
A1	1	Air Filter (Pro DRY S)	21-90113
A2	1	Air Filter (Pro 5R)	24-90113
B	1	Tube	05-5413053B1
C	1	Housing	05-5413053B2
D	1	Coupling, Silicone Bellow: 3.1"ID x 3"L	05-01542
E	2	Clamp, #048	03-50007
F	1	Fitting, Brass: 1/8-NPT	03-50191
G	1	Plug, Brass: 1/8-NPT	03-50410
H	2	Screw, M4	03-50490
I	1	Seal, Trim: 3/4" Bulb (39" inches)	05-01507

Installation will require the following tools:

6mm, 8mm, and 10mm nut drivers or sockets, socket wrench, flat-head screwdriver, T20 torx bit, and panel popper.

Warranty Information available at <https://afepower.com/contact#warranty>

Emissions Disclaimer: This product is not currently CARB exempt and is not available for purchase in California or for use on any vehicle registered with the California Department of Motor Vehicles.



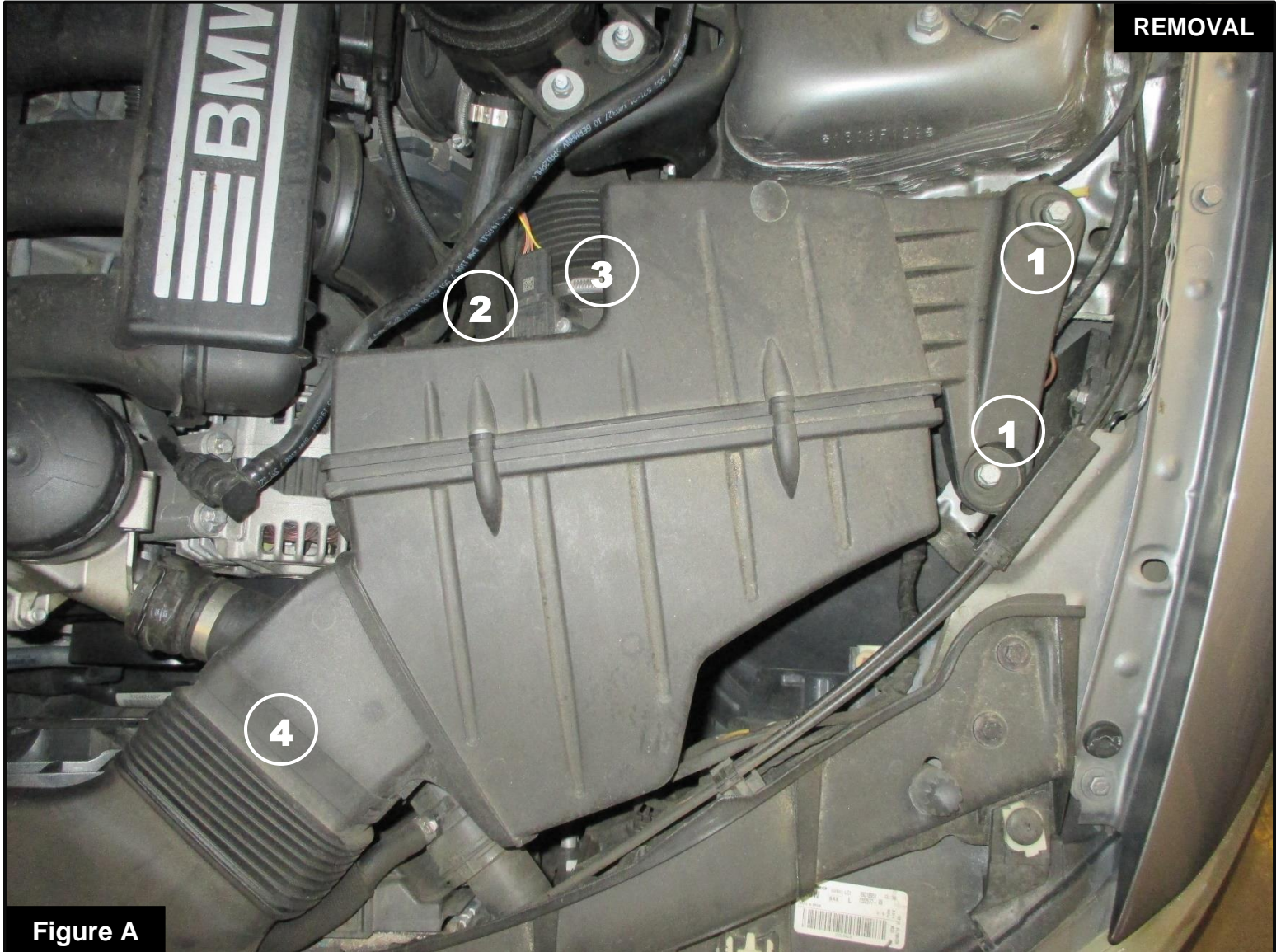


Figure A

Refer to Figure A for Steps 1-5

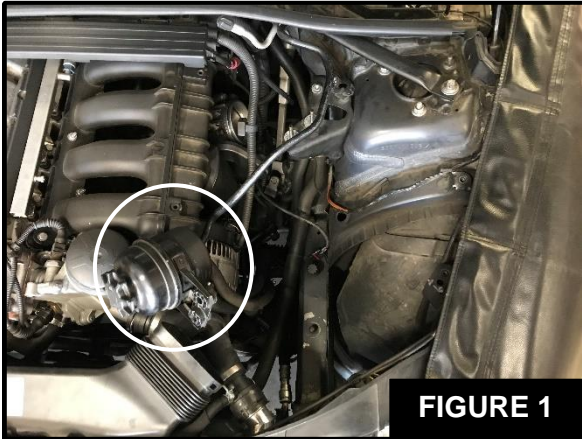
Step 1: Remove the two (2) factory bolts and keep for later use (1).

Step 2: Disconnect the MAF sensor harness (2).

Step 3: Using a 6mm nut driver, loosen the hose clamp at the factory airbox (3). Then, slide the factory intake tube away from the factory airbox.

Step 4: Pull the factory airbox away from the factory air duct (4).

Step 5: To remove the factory airbox, carefully pull up and away from the engine bay.

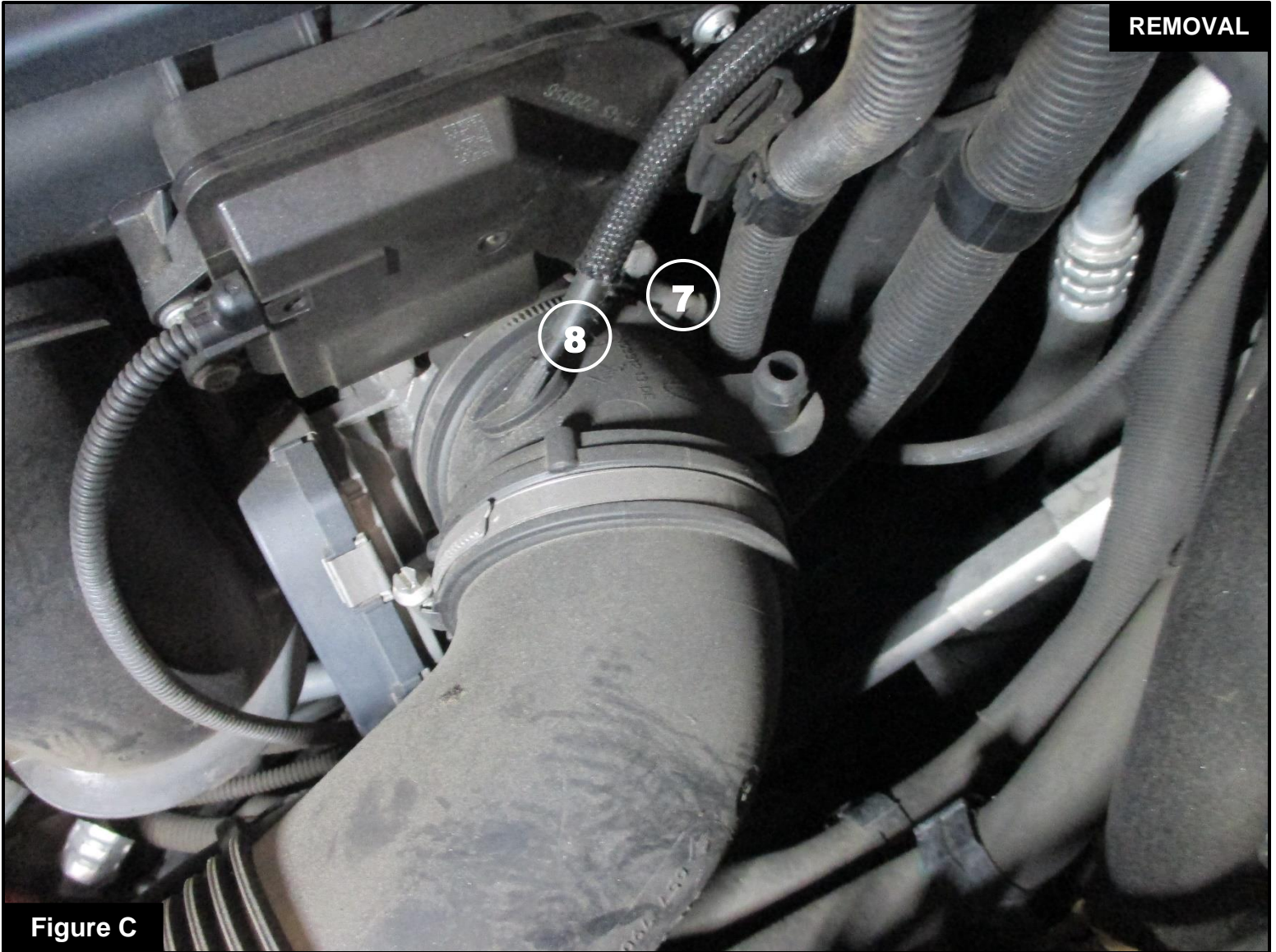


Refer to Figure B for Steps 6-8

Step 6: For vehicles with the steering pump located above the factory intake tube, remove the two (2) factory nuts and keep for later use (5).

Step 7: Detach the factory air line from the reservoir's bracket (6).

Step 8: Carefully move the steering pump reservoir to the front of the engine, to allow for clearance. See Figure 1.

**Figure C****Refer to Figure C for Steps 9-11**

Step 9: Using a 6mm nut driver, loosen the clamp at the throttle body (7).

Step 10: For vehicles with a crankcase breather (CCV) hose, detach the CCV hose from the factory intake tube (8).

Step 11: Carefully remove the factory intake tube from the vehicle.



Refer to Figure D for Steps 12-14

Step 12: Transfer the MAF sensor from the factory airbox to the aFe Power intake tube (9) and attach with the supplied screws.

Step 13: For vehicles with a CCV hose, install the supplied NPT fitting into the aFe Power intake tube (10).

Step 14: For vehicles without a CCV hose, install the supplied NPT plug into the aFe Power intake tube (11).

NOTE: There will be a small gap between the tube and NPT fittings' hex.

**Figure E****Refer to Figure E for Steps 15-17**

Step 15: Remove the clamp from the supplied aFe POWER air filter's flange. Slide the air filter into the aFe POWER housing from the top opening. Then, guide the air filter flange through the round opening in the housing and snap in the air filter. Place the clamp back on the air filter flange, but do not tighten at this time. Make sure to rotate the air filter to have the wider side face up (12).

Step 16: Install the provided trim seal along the top edge of the aFe Power housing (13).

Step 17: Transfer the two (2) factory grommets and metal sleeves from the factory airbox to the aFe Power housing (14).


Figure F

Refer to Figure F for Step 18

Step 18: Install the coupling onto the throttle body. Adjust the internal bead of the coupling into the groove of the throttle body. Once the coupling is fully seated and can rotate easily, tighten the clamp at the throttle body side (where there is an external bead to locate the clamp) ⑮. Do NOT tighten the clamp at the open end of the coupling.



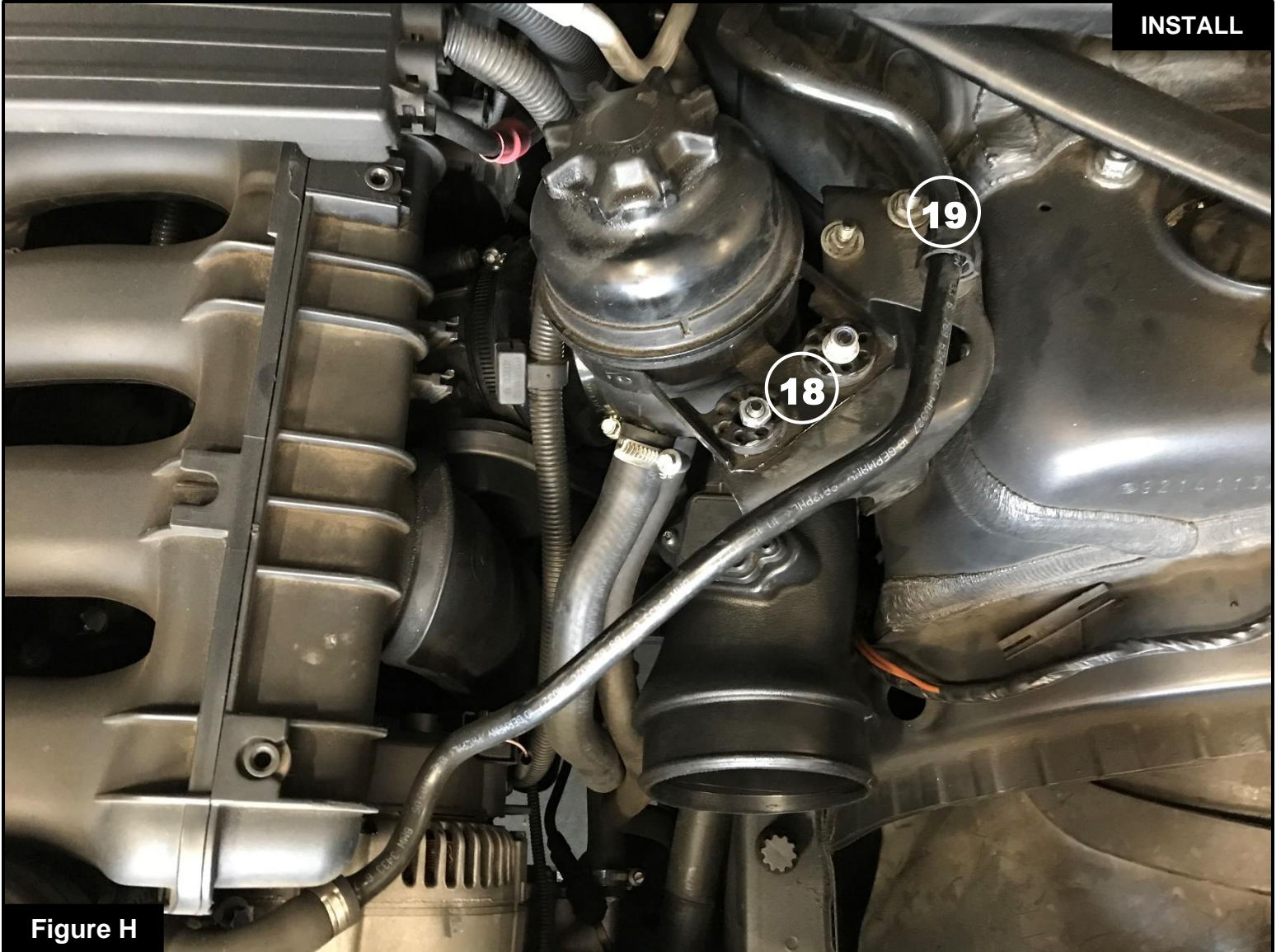
Figure G

Refer to Figure G for Steps 19-21

Step 19: Install the aFe Power intake tube into the coupling. Do not tighten the clamp at this time.

Step 20: For vehicles with a CCV hose, connect the CCV hose to the aFe power intake tube (16).

Step 21: Connect the MAF harness to the MAF sensor (17).

**Figure H****Refer to Figure H for Steps 22-23**

Step 22: Carefully, place the steering pump reservoir back on its bracket and tighten with the two (2) factory nuts from Step 6 (18).

Step 23: Re-seat the factory air line from Step 7 back on the reservoir's bracket (19).



Figure I

Refer to Figure I for Steps 24-29

Step 24: Install the assembled aFe Power housing with air filter into the engine bay.

Step 25: Insert the aFe Power tube into the air filter.

Step 26: Insert the aFe Power housing into the factory air duct (20).

Step 27: Install the two (2) factory bolts from Step 1, and tighten down the aFe Power housing (21).

Step 28: Tighten the remaining clamps joining the aFe Power tube to the aFe Power air filter and coupling.

Step 29: Make sure all components and connections are secure. Your installation is now complete. Thank you for choosing aFe Power!

NOTE: Check all bolts, clamps, and connectors after 100-200 miles.



Page left blank intentionally.



Page left blank intentionally.



Page left blank intentionally.



advanced FLOW engineering, inc.

252 Granite Street Corona, CA 92879

<https://afepower.com/contact>

P/N: 06-81338