

advanced FLOW engineering

Instruction Manual P/N: 51-73202 / 54-73202

Make: **Ford** Model: **Mustang** Year: **2015-2017** Engine: **V6-3.7L**
Momentum GT Air Intake System



- Please read the entire instruction manual before proceeding.
- Ensure all components listed are present.
- If you are missing any of the components, call customer support at 951-493-7100.
- Ensure you have all necessary tools before proceeding.
- Do not attempt to work on your vehicle when the engine is hot.

Retain factory parts for future use.

Label	Qty.	Description	Part Number
A1	1	Air Filter (Pro 5R)	24-91062
A2	1	Air Filter (Pro DRY S)	21-91062
B	1	Tube	05-73202B1
C	1	Housing	05-73203B2
D	1	Clamp, T-bolt	03-50352
E	1	Coupling, Reducer	05-01400
F	1	Fitting, Small	05-01338
G	1	Fitting, Large	05-01339
H	1	Plug, Urethane	05-01361
I	1	Clamp, #048	03-50007
J	1	Clamp, #044	03-50019
K	1	Threadlocker	03-50162

Installation will require the following tools:

8mm nut driver, 7mm nut driver, 10mm deep socket & driver, 11mm deep socket & driver and adjustable wrench.

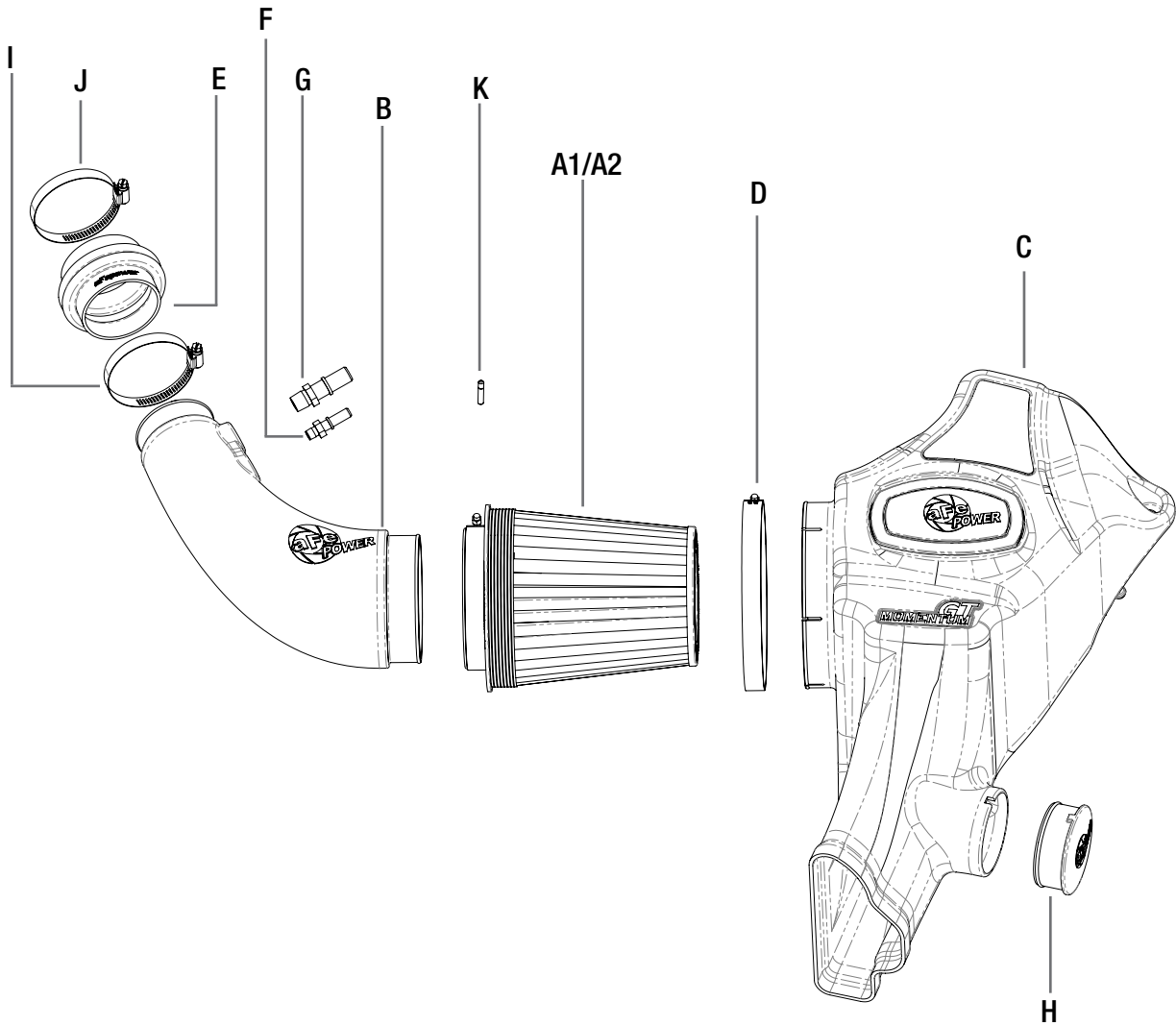




Figure A

Refer to Figure A for Steps 1-3

Step 1: Loosen the clamp at the throttle body (7mm nut driver).

Step 2: Unclip the two vent hoses connected to the intake tube. ①

Step 3: Remove the bolt that secures the housing with a 10mm socket and driver. Lift up and remove the entire intake assembly as one unit. ②

**Figure B****Refer to Figure B for Steps 4-5**

Step 4: Remove the metal sleeve and grommet from the stock housing.

Step 5: Remove the locator grommet from the stock housing.



Refer to Figure C for Step 6

Step 6: Install the locator grommet into the hole in the fender-well.



Figure D

Refer to Figure D for Step 7

Step 7: Install the grommet and metal sleeve into the new aFe air box as shown.



Figure E

Refer to Figure E for Step 8

Step 8: (Optional) If you would like to use the provided plug for the air box then it is easier to install this now. The plug can be installed/removed from the housing after the intake is installed, but it is easier to install at this time.



Figure F

Refer to Figure F for Steps 9-10

Step 9: Install the housing into the vehicle. Make sure that the scoop in the front of the housing lines up with the stock air duct on the vehicle.

Step 10: Secure the housing to the car by reinstalling the factory with a 10mm socket & driver screw to the fender-well.



Figure G

Refer to Figure G for Steps 11-12

Step 11: Install the large clamp over the flange on the housing.

Step 12: Install the aFe air filter into the housing and make sure to leave both clamps loose at this time.



Figure H

Refer to Figure H for Step 13

Step 13: Install the two provided aluminum adaptors into their respective locations on the new aFe intake tube.

Apply some of the furnished thread locker to guarantee a perfect seal.

NOTE: Caution: Do NOT over tighten these NPT fittings. There will be a gap between the tube and the fitting when fully tightened.



Figure 1

Refer to Figure 1 for Steps 14-16

Step 14: Install the intake tube with the coupler and clamps into the vehicle as shown.

Step 15: Re-connect the two vent fittings to the intake tube.

Step 16: Tighten all of the clamps at this time.



Figure J

Refer to Figure J for Step 17

Step 17: Make sure all clamps and connections are secured. Your installation is now completed.

NOTE: Retighten all connections after approximately 100-200 miles. Place enclosed CARB EO sticker on or near the device on a smooth, clean surface. EO identification label is required to pass the smog inspection.



Pro DRY S Air Filter



P/N: 21-91062

Pro 5R Air Filter



P/N: 24-91062

Pre-Filter



P/N: 28-10043

Pro DRY S Restore Kit



P/N: 90-59999

Blue Squeeze Restore Kit



P/N: 90-50501

Exhaust Axle-Back



P/N: 49-43085-B (Blk Tip)
49-43085-P (Pol Tip)

Exhaust Sport Cat-Back



P/N: 49-33087-B (Blk Tip)
49-33087-P (Pol Tip)

Exhaust Cat-Back



P/N: 49-33072-1B (Blk Tip)
49-33072-1P (Pol Tip)

Coilovers



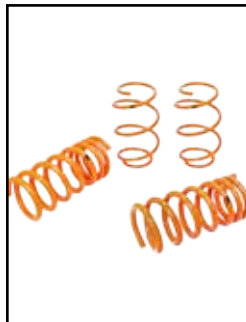
P/N: 430-301001N

Sway Bars



P/N: 440-301001N

Lowering Springs



P/N: 410-301002N

Sprint Booster



P/N: 77-13004 (M/T)
77-13005 (A/T)

To purchase any of the items above, view airflow charts, dyno graphs, photos, and video; please go to aFepower.com.

Warranty

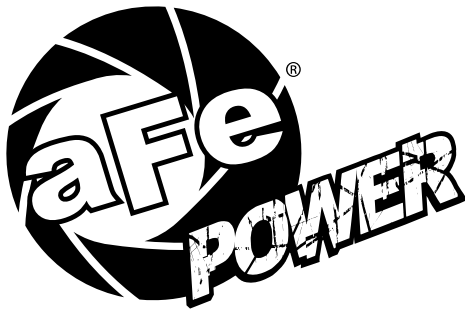
General Terms:

- aFe warrants their products to be free from manufacturer's defects due to workmanship and material.
- This warranty applies only to the original purchaser of the product and is non-transferrable.
- Proof of purchase of the aFe product is required for all warranty claims.
- Warranty is valid provided aFe instructions for installation and/or cleaning were properly followed.
- Proper maintenance with regular inspections of product is required to insure warranty coverage.
- Damage due to improper installation, abuse, unauthorized repair or alteration is not warranted.
- Incidental or consequential damages or cost, including installation and removal of part, incurred due to failure of aFe product is not covered under this warranty.
- All warranty is limited to the repair and/or replacement of the aFe part. To request Return Goods Authorization ("RGA"), email RGA@afepower.com or call (951)493-7100. Upon receipt of the RGA, you must return the product to the address provided in the RGA, freight prepaid and accompanied with a dated proof of purchase and the RGA. Upon receipt of the defective product and upon verification of proof of purchase, aFe will either repair or replace the defective product within a reasonable time, not to exceed thirty days.

Product Category	P/N Prefix	Warranty duration
Direct OE Replacement Filters	10, 11, 30, 31, 71, 73	Life of the vehicle
Racing Filters	18	1 year
Universal	21, 24, 72, TF	2 years
Air Intake Systems	50, 51, 54, 55, 75, TR, TA, TL	2 years
Exhaust Systems	49	2 years
Intercoolers & Intercooler Tubes	46-2	2 years
Intake Manifolds	46-1	2 years
Differential Cover	46-7	Life of the vehicle
Exhaust Manifolds	46	2 years
Throttle Body Spacers	46-3	2 years
Turbochargers	46-6	2 years*
Fluid Filters	44	90 days
Pre-Filters	28	2 years
Heavy Duty OE Replacement	70	2 years
PowerSports OE Replacement	81, 87	2 years
PowerSports Intake Systems	85	2 years

No other warranty expressed or implied applies nor is any person or advanced FLOW engineering authorized to assume any other warranty. Some States do not allow the exclusion or limitation of incidental or consequential damages or do not allow limitations on how long an implied warranty lasts, so the above limitations or exclusions may not apply to you. This warranty gives you specific legal rights, and you may also have other rights which vary from State to State.

*See turbocharger warranty for more info



advanced FLOW engineering, inc.
252 Granite Street Corona, CA 92879
TEL: 951.493.7100