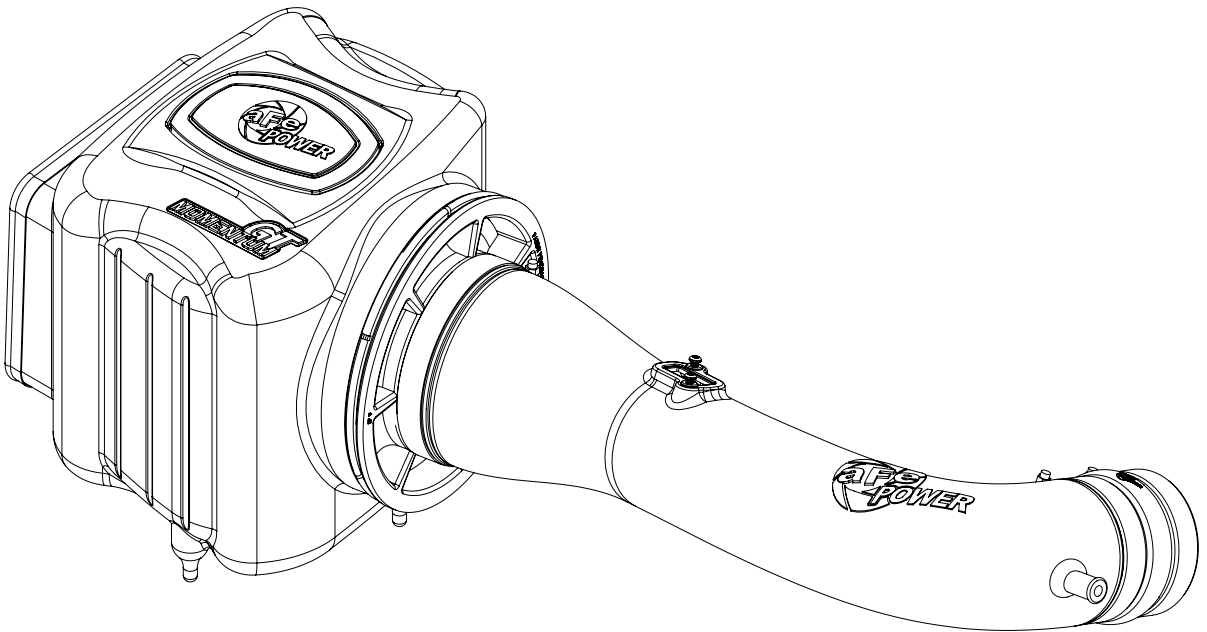


GT
MOMENTUM™



advanced FLOW engineering Momentum GT Cold Air Intake System

Instruction Manual P/N: 51-74110 / 54-74110

Make: GM	Model: Silverado/Sierra 1500	Year: 2014-2018	Engine: V8-5.3L / 6.2L
Make: GM	Model: Silverado LD/Sierra Limited	Year: 2019-2019	Engine: V8-5.3L
Make: GM	Model: Tahoe/Yukon	Year: 2015-2020	Engine: V8-5.3L / 6.2L
Make: GM	Model: Suburban/Yukon XL	Year: 2015-2020	Engine: V8-5.3L / 6.2L
Make: Cadillac	Model: Escalade/ESV	Year: 2015-2020	Engine: V8-6.2L

NOTE: Includes Denali trims.



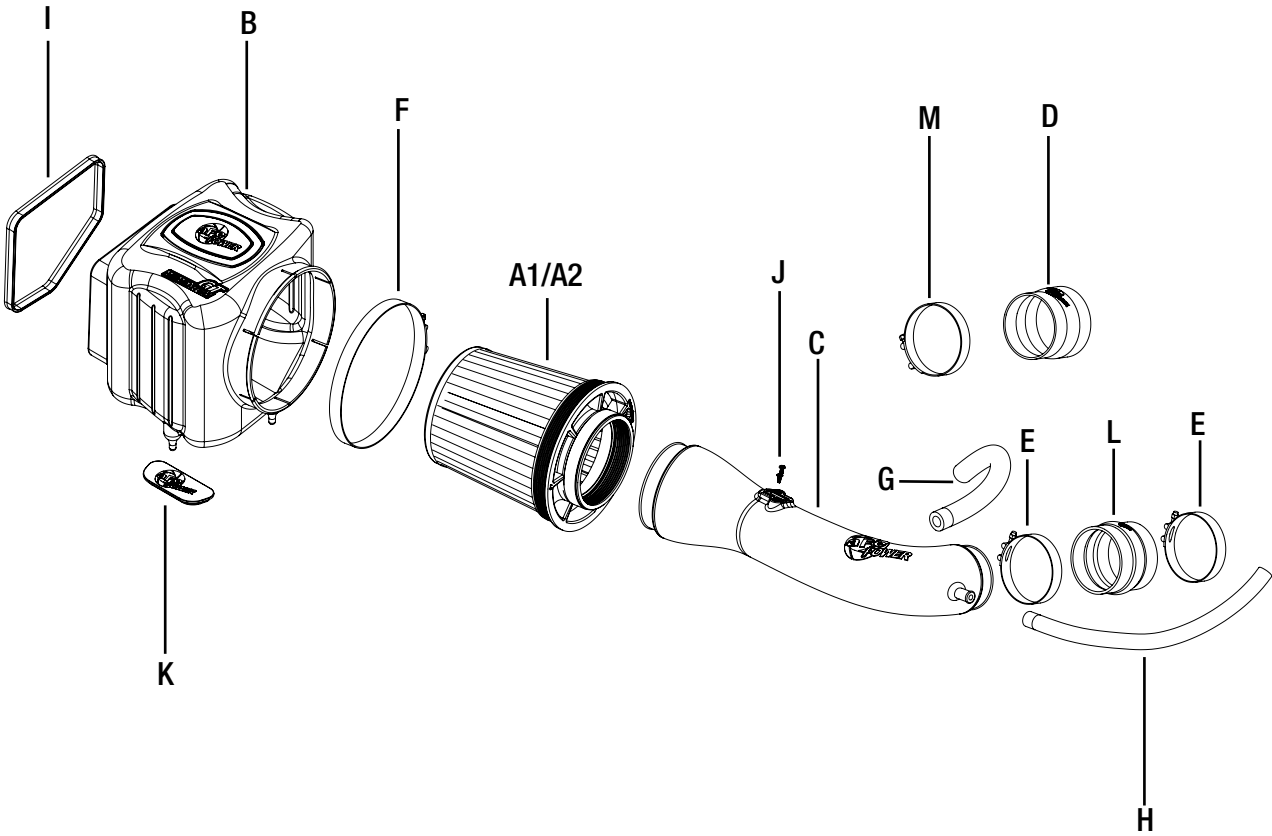
- Please read the entire instruction manual before proceeding.
- Ensure all components listed are present.
- If you are missing any of the components, call customer support at 951-493-7100.
- Ensure you have all necessary tools before proceeding.
- Do not attempt to work on your vehicle when the engine is hot.
- Disconnect the negative battery terminal before proceeding.
- Retain factory parts for future use.

Label	Qty.	Description	Part Number
A1	1	Pro DRY S Air Filter	21-91072
A2	1	Pro 5R Air Filter	24-91072
B	1	Housing	05-74110B2
C	1	Tube	05-74104B1
D	1	Coupling, Bellow: 3-1/2"ID x 3"L	05-01389
E	2	Clamp, T-bolt (3-9/16" - 3-7/8")	03-50498
F	1	Clamp, T-bolt (8-5/16")	03-50267
G	1	Hose, Breather: 1/2" ID Silicone (13" in.)	05-01396
H	1	Hose, Breather: 1/2" ID Silicone (16" in.)	05-01396
I	1	Seal, Trim: 7/16" (28" in.)	05-00072
J	2	Screws, Torx: M4	03-50491
K	1	Plug	05-00937
L	1	Coupling Bellow: (3-1/2"x3-3/4")ID x 3"L	05-01508
M	1	Clamp, T-bolt (3-13/16" - 4-1/8")	03-50265

Tools needed: 8mm Nut driver, 11mm Nut driver, T15 & T20 torx bit or driver and flat screw driver.

Warranty Information available at: <https://afepower.com/contact#warranty>

Note: Legal in California for use on race vehicles only. The use of this device on vehicles used on public streets or highways is strictly prohibited in California and others states that have adopted California emission regulations.





Refer to Figure A for Steps 1-3

Step 1: Disconnect the MAF sensor plug ①.

Step 2: Using a 8mm nut driver, loosen the clamp at the airbox ②.

Step 3: Using a 8mm nut driver, loosen the clamp at the throttle body ③.



Refer to Figure B for Step 4

Step 4: Disconnect the MAF sensor harness clip from the OE airbox.



Refer to Figure C for Steps 5-6

Step 5: Disconnect the OE crankcase breathers from the valve covers (as shown) on both sides of the engine.

Step 6: Carefully remove the entire intake tube plenum with the crankcase breather plugs attached.



Figure D

Refer to Figure D for Step 7

Step 7: Remove the factory airbox out of the vehicle (4).



Figure E

Refer to Figure E for Step 8

Step 8: Use the supplied plug (5) to close the auxiliary air inlet if you want to completely seal the airbox. Install the supplied large T-bolt clamp (6) on the aFe airbox. Slide the air filter with clamp into the aFe airbox. Do not tighten the clamps at this time.



Refer to Figure F for Steps 9-10

Step 9: Install the trim seal on the opening of the aFe airbox (7).

Step 10: Remove the retaining plug (8) from the bottom of the factory airbox and transfer it to the aFe airbox.



Figure G

Refer to Figure G for Step 11

Step 11: Install the aFe airbox assembly into the vehicle. Firmly push it into the factory mounting grommets.



Figure H

Refer to Figure H for Steps 12-13

Step 12: Remove the mass air flow sensor from the factory airbox using a T15 Torx.

Step 13: Using a T20 torx, install the mass air flow sensor into the aFe intake tube using the supplied M4 screws and factory seal.



Refer to Figure I for Steps 14-16

Step 14: For V8-5.3L, install the supplied hump coupling and the 2 smaller clamps on the throttle body.

For V8-6.2L, install the supplied reducer coupling and 1 small and 1 larger clamps on the throttle body. Do not tighten clamps at this time.

Step 15: Install the intake tube ⑨ into the vehicle. Slide the tube into the filter, then into the coupling on the throttle body.

Step 16: Align the tube correctly then tighten all clamps .

**Figure J****Refer to Figure J for Steps 17-19**

Step 17: Install the two supplied crankcase breather hoses (10) between the valve cover and the aFe tube on both passenger and driver side. (Make sure hoses are secure over the bead).

Step 18: Reconnect the mass air flow sensor harness (11).

Step 19: Make sure all clamps and connections are secured. Your installation is now complete!



PAGE LEFT BLANK INTENTIONALLY

PAGE LEFT BLANK INTENTIONALLY



advanced FLOW engineering, inc.
252 Granite Street Corona, CA 92879
TEL: 951.493.7100 • TECH: 951.493.7134
E-Mail: Tech@aFepower.com