

advanced FLOW engineering

Cold Air Intake System

Instruction Manual P/N: 52-74207 / 51-74207 / 54-74207 / 51-74207-C / 54-74207-C

Make: Cadillac **Model:** CTS-V (Sedan) **Year:** 2009-2014 **Engine:** V8-6.2L (sc) LSA

Make: Cadillac **Model:** CTS-V (Coupe) **Year:** 2011-2015 **Engine:** V8-6.2L (sc) LSA

Make: Cadillac **Model:** CTS-V (Wagon) **Year:** 2011-2014 **Engine:** V8-6.2L (sc) LSA



- Please read the entire instruction manual before proceeding.
- Ensure all components listed are present.
- If you are missing any of the components, call customer support at 951-493-7185.
- Ensure you have all necessary tools before proceeding.
- Do not attempt to work on your vehicle when the engine is hot.

Retain factory parts for future use.

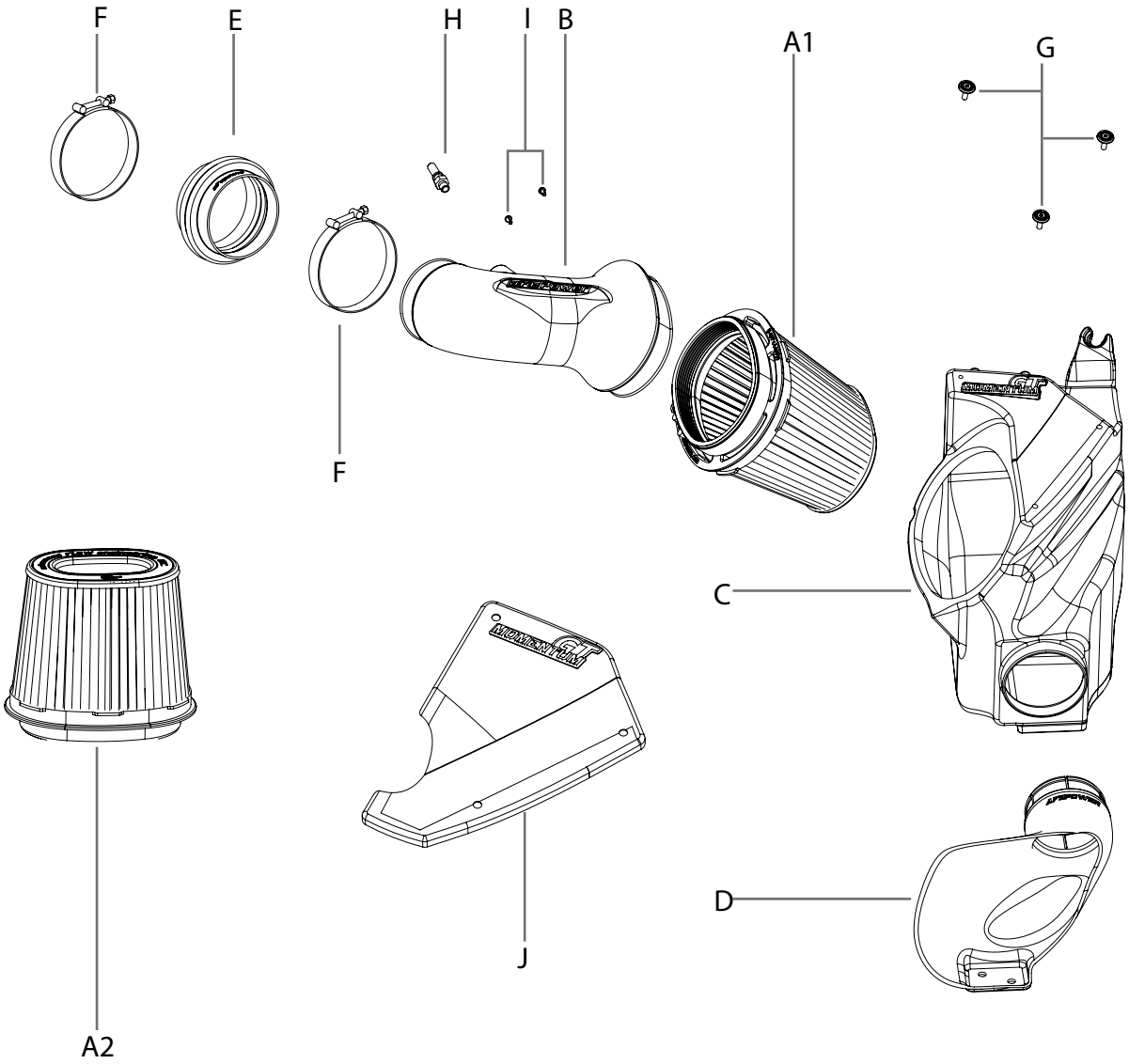
Label	Qty.	Description	Part Number
A1	1	Air Filter (Pro 5R)	24-91107
A2	1	Air Filter (Pro DRY S)	21-91107
B	1	Tube	05-74207B1
C	1	Housing	05-74207B2
D	1	Scoop	05-74207B3
E	1	Coupling, Silicone Hump	05-01375
F	2	Clamp, T-bolt (SS)	03-50265
G	3	Screw, Engraved: M6x1.0mmx12mm	03-50483
H	1	Fitting, Vent	05-01692
I	2	Screw, Torx: M4x.7x10mm	03-50490
J	1	Carbon Fiber Cover	05-74207C4 (For P/N: 52-74207-C)

Installation will require the following tools:

8mm, 10mm & 7/16" sockets or nut driver, ratchet and extension, flathead screwdriver, 15mm wrench, 3mm hex wrench.

Warranty Information available at: <https://afepower.com/contact#warranty>

Note: Legal in California for use on race vehicles only. The use of this device on vehicles used on public streets or highways is strictly prohibited in California and others states that have adopted California emission regulations.





FigureA

Refer to Figure A for Steps 1-3

Step 1: Remove the main engine cover ① and the side engine trim cover ②.

Step 2: Untighten intake clamp on the throttle body and housing. Disconnect the Mass Air Flow sensor harness. Disconnect the vent fitting. Then pull the intake tube out of the vehicle.

Step 3: Remove the 10mm screw securing the housing. Then pull the factory intake housing out of the vehicle.



Figure B

Refer to Figure B for Steps 4-5

Step 4: Unsecure the plastic quarter turn rivets and remove the plastic trim covering the front bumper.

Step 5: Remove the screws and push clips securing the front grille and bumper so the top of the bumper can be opened up.



FigureC

Refer to Figure C for Steps 6-7

Step 6: Gently pull on the grille / bumper assembly from the top, to be able to slide your hands in.

Step 7: Remove the plastic rivets securing the fabric air diverter and either fold it away to the side or cut it off with a razor blade. This will create the opening behind the grill for the aFe air scoop.



FigureD

Refer to Figure D for Step 8

Step 8: Slide the aFe air scoop from the same opening and orient it correctly. It will be connected to the housing when installing it.



Figure E

Refer to Figure E for Steps 9-10

Step 9: Transfer the two small grommets from the factory housing into the holes onto the aFe air box.

Step 10: Also transfer the grommet with steel insert from the factory housing to the aFe air box.



Figure F

Refer to Figure F for Step 11

Step 11: Slide the aFe housing into the vehicle, orient it correctly and connect the air scoop to it.
(slide your hand inside the housing and hold the scoop from the bumper opening)



FigureG

Refer to [Figure G](#) for Step 12

Step 12: Secure the scoop using the two factory plastic rivets.



Figure H

Refer to Figure H for Steps 14-15

Step 13: Secure the housing using the factory screw removed at Step 3.

Step 14: Decide if you want to use the dry or oiled filter. Slide the selected filter inside the aFe housings until it locks in place. Install clamp on filter end but, do not tighten at this time.

Step 15: Install the coupling onto the throttle body.



Figure 1

Refer to Figure 1 for Steps 16-17

Step 16: Transfer the Mass Air Flow sensor from the factory air box to aFe intake tube. Secure it using the furnished M4 screws.

Step 17: Screw the provided aluminum vent fitting into the aFe tube. This is a NPT connection, do not overtighten it. The small space between the hex part and the tube is normal.



Figure J

Refer to Figure J for Steps 18-19

Step 18: Install the aFe tube by sliding it first into the filter then into the coupling.

Step 19: Align the tube correctly then install t-bolt clamps over coupling. You may need to open the T-bolt clamps by removing the nut completely. Then install it around the coupling and close it by re-installing the nut. Tighten all clamps.



FigureK

Refer to Figure K for Steps 20-21

Step 20: Reconnect the Mass Air Flow sensor harness.

Step 21: Connect the vent hose to the aluminum fitting. Verify every connection is secured.

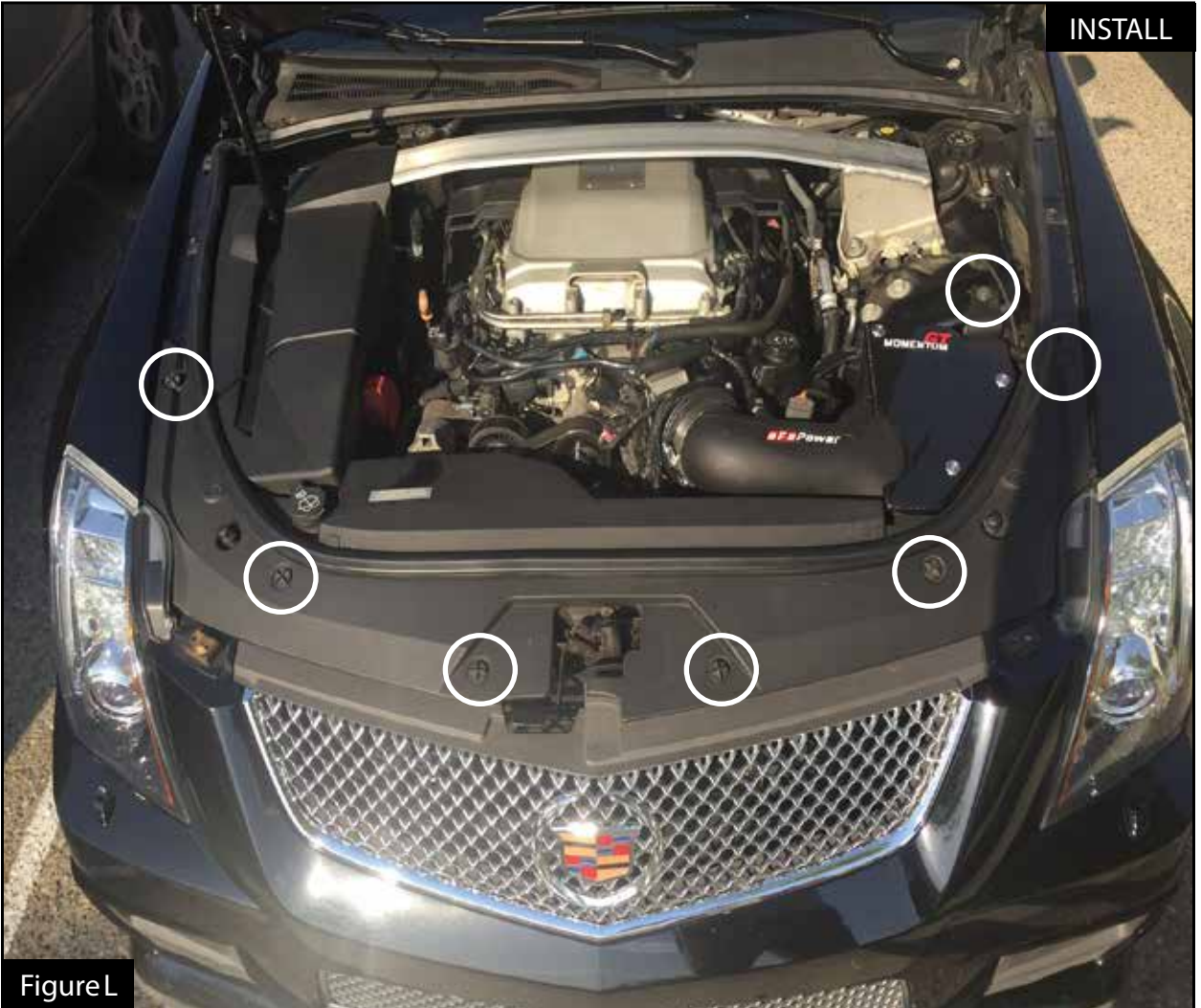


Figure L

Refer to Figure L for Steps 22-23

Step 22: Verify the aFe air scoop is installed correctly, then push back the front bumper and re-install the screw removed at Step 5.

Step 23: Re-install the plastic cover trim on top of the bumper. Secure it with the plastic rivets.



Figure M

Refer to Figure M for Steps 24-26

Step 24: Re-install the side engine trim cover and the main engine cover.

Step 25: If you also purchased the aFe carbon fiber cover, install it on top of the housing and secure it using the aFePower laser etched screws. If you don't have the cover, simply install the aFePower laser etched screw onto the housing.

Step 26: Make sure all clamps and connections are secured. Your installation is now completed.

NOTE: Check all bolts, clamps, and connectors after 200 miles.

Page left blank intentionally



Page left blank intentionally

Page left blank intentionally



advanced FLOW engineering, inc.

252 Granite Street Corona, CA 92879

<https://afepower.com/contact>