

advanced FLOW engineering Super Stock Air Intake System

Instruction Manual P/N: 55-10006D / 55-10006R

Make: Ford

Model: Mustang

Year: 2015-2023

Engine: L4-2.3L(t) EcoBoost



- Please read the entire instruction manual before proceeding.
- Ensure all components listed are present.
- For technical support please call 951-493-7185.
- Ensure you have all necessary tools before proceeding.
- Do not attempt to work on your vehicle when the engine is hot.
- Retain factory parts for future use.

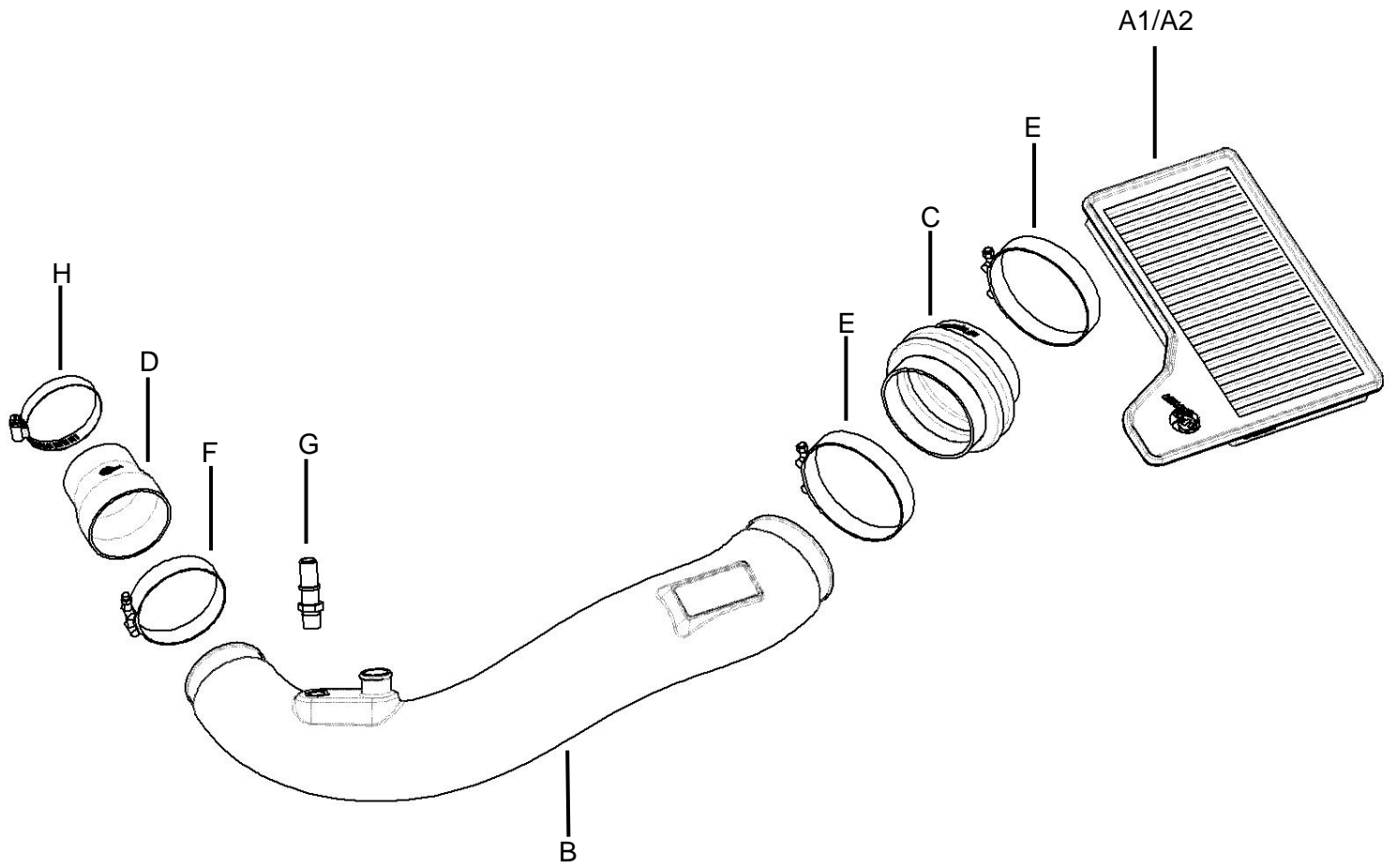
Label	Qty.	Description	Part Number
A1	1	Air Filter (Pro 5R)	30-10255
A2	1	Air Filter (Pro DRY S)	31-10255
B	1	Tube	05-5510006B1
C	1	Coupling, Silicone Bellow: 3-3/4"ID x 3"L	05-01509
D	1	Coupling, Silicone Straight: (3"x2-1/2")ID x 3"L	05-01333
E	2	Clamp, T-bolt (3-13/16" - 4-1/8") (SS)	03-50265
F	1	Clamp, T-bolt (3-1/16" - 3-3/8") (SS)	03-50320
G	1	Fitting, Vent Tube (Large)	05-01339
H	1	Clamp, 044 (2-5/16" - 3-1/4")	03-50019

Installation will require the following tools:

Pliers or spring clamp tool, 7mm and 8mm nut drivers, 11mm deep socket and driver, and adjustable wrench.

Warranty information available at <https://afepower.com/contact#warranty>.

Emissions Disclaimer: This product is not currently CARB exempt and is not available for purchase in California or for use on any vehicle registered with the California Department of Motor Vehicles.



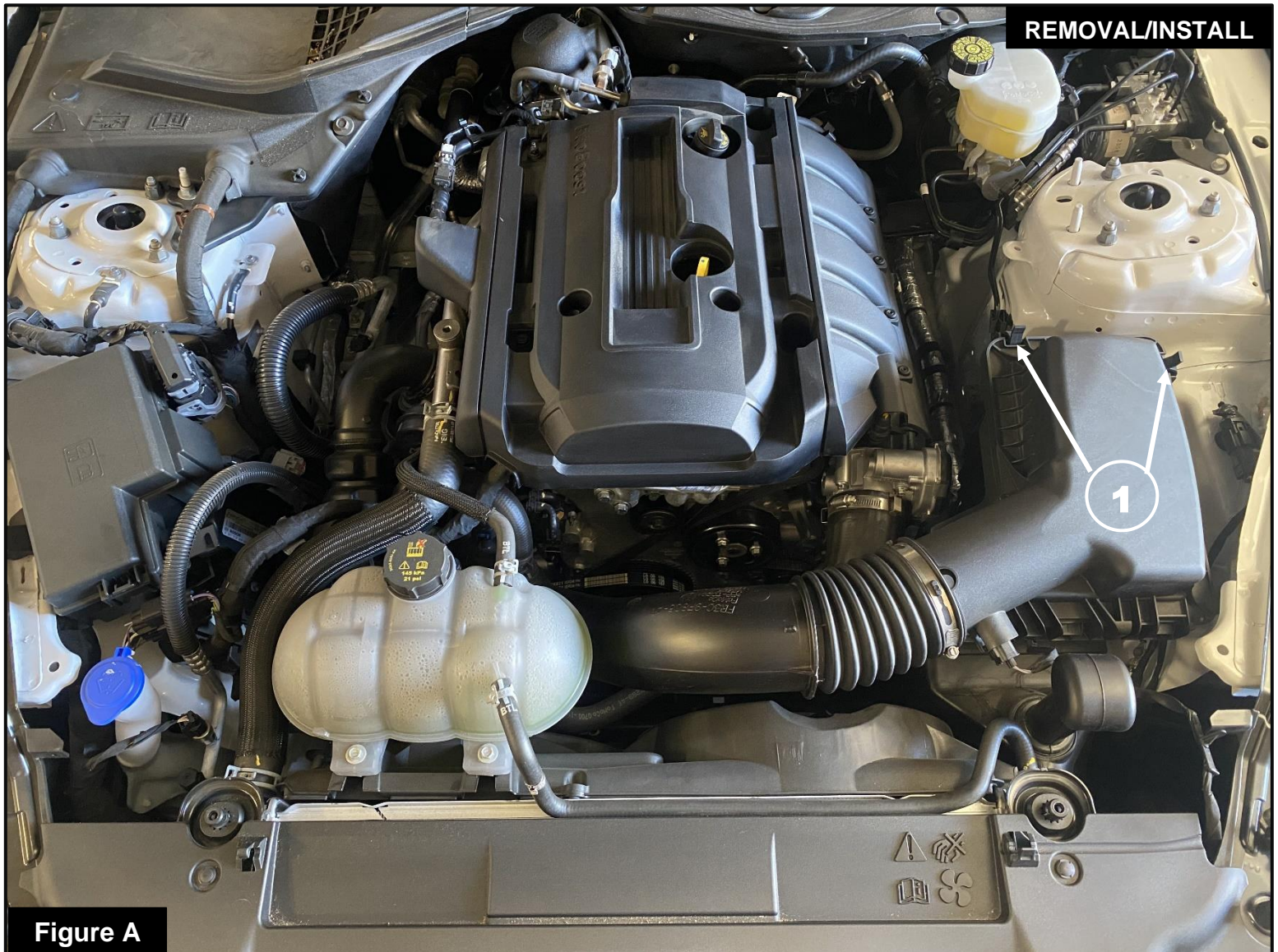


Figure A

Refer to Figure A for Steps 1-5

Step 1: Release the two clamps ① that secure the factory upper housing.

Step 2: Lift the factory air filter from the factory lower housing and remove.

Step 3: Clean any dirt and debris from the factory air filter housing to make sure no dirt enters the engine.

Step 4: Install the aFe POWER OER air filter. Be careful when installing not to crimp the edges of the aFe POWER air filter between the factory upper and lower housing. This could cause air filter damage and allow unfiltered air to enter the engine if not properly seated.

Step 5: Replace the factory upper housing by engaging the two clamps ① to secure the factory upper housing to the factory lower housing.

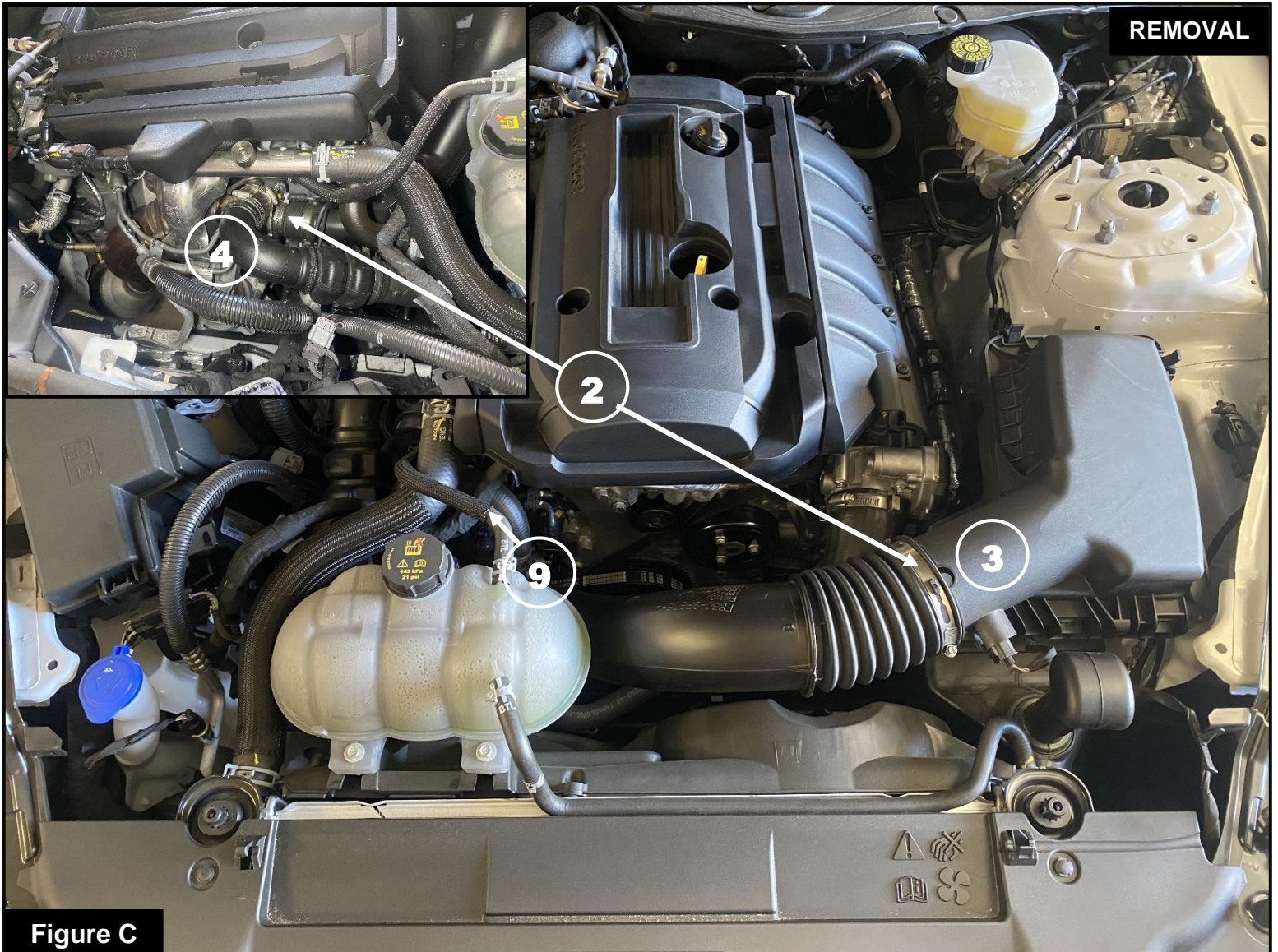
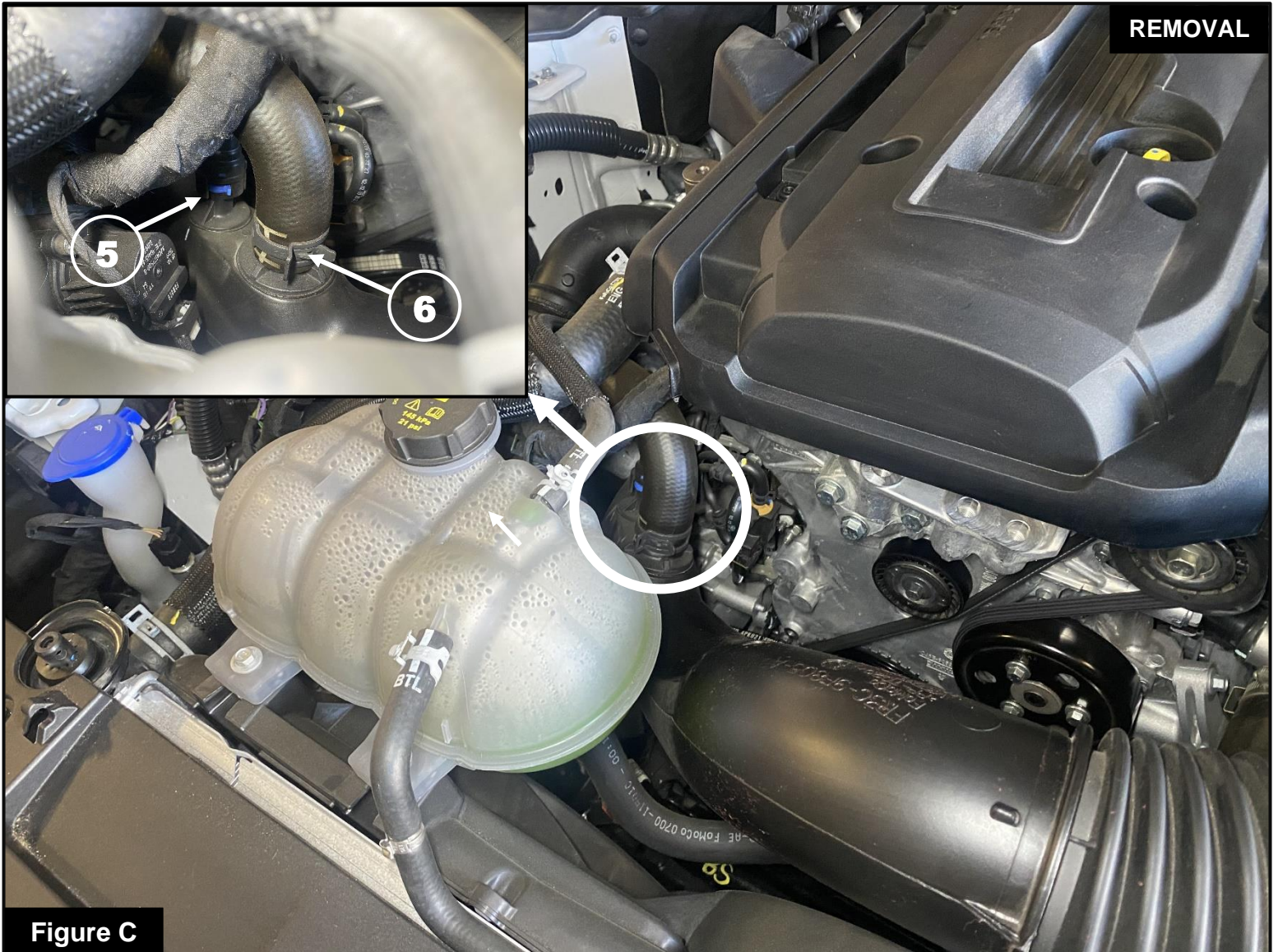


Figure C

Refer to Figure C for Step 6

Step 6: Locate the two factory clamps (2) on the factory intake tube. Using a 7mm nut driver, loosen the clamps at the housing (3) and at the turbo inlet (4).



Refer to Figure C for Steps 7-9

Step 7: Disconnect the vent fitting (5) on the back of the intake tube.

Step 8: Using a pair of pliers (or a spring clamp tool), remove the spring clamp (6) from the 1.00" diameter rubber hose. Keep the spring clamp on the rubber hose because it will be reused in a later step.

Step 9: Remove the factory intake tube from the vehicle.

**Figure D**

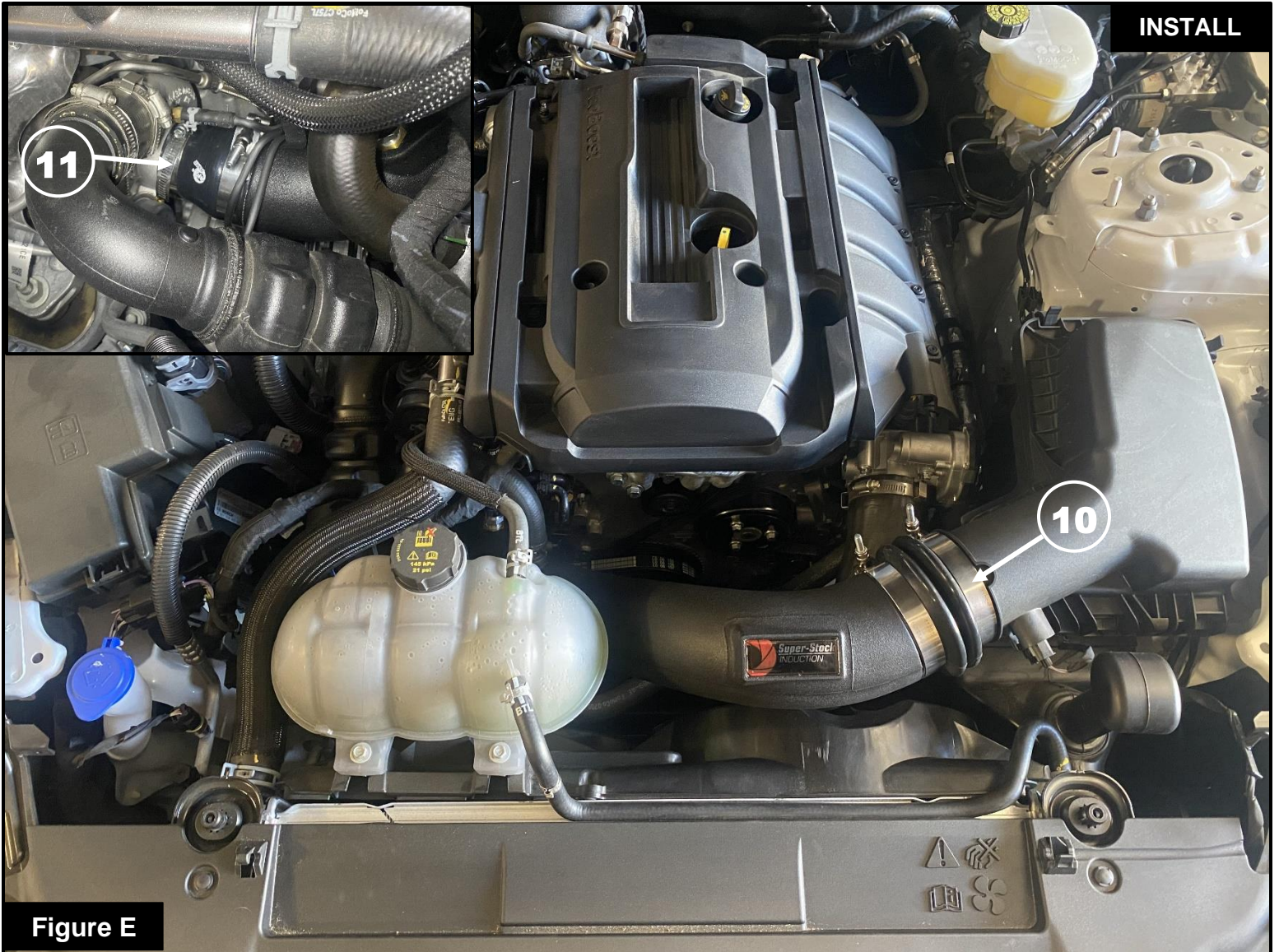
Refer to Figure D for Steps 10-12

Step 10: Install large vent tube fitting (7) into the location shown on the aFe POWER intake tube and tighten them using an adjustable wrench.

***NOTE:** Exposed threads shown are normal. This is an NPT thread.

Step 11: Install the silicone wrapped coupling (8) onto the aFe POWER intake tube in the location shown and snug (but do not tighten) the (TB337SS) clamp using the 11mm deep socket and driver.

Step 12: Install the silicone bellows coupling (9) onto the aFe POWER intake tube in the location shown and snug (but do not tighten) the (TB412SS) clamp using the 11mm deep socket and driver.



Refer to Figure E for Steps 13-15

Step 13: Slip the clamp (TB412SS) onto the silicone bellows coupling (10) and clamp (#044) onto the silicone wrapped coupling (11).

Step 14: Install the aFe POWER intake tube by slipping the silicone bellows coupling onto the factory housing and snug (but do not tighten) the (TB412SS) clamp using the 11mm deep socket and driver.

Step 15: Slip the silicone wrapped coupling onto the turbo inlet and snug (but do not tighten) the (#044) clamp using the 8mm nut driver.



Refer to Figure E for Steps 16-17

Step 16: Connect the large vent tube fitting (12) to the aFe POWER intake tube.

Step 17: Reconnect the 1.00" diameter rubber hose to the aFe POWER intake tube and secure it with the factory spring clamp from step 8. Make sure all fittings and hoses are fully seated and will not disconnect.



Figure E

Refer to Figure E for Step 18

Step 18: Align the aFe POWER intake tube and couplings, then tighten the clamps. Your install is now complete!

NOTE: Check all bolts, clamps, and connectors after 100-200 miles.



Page Left Blank Intentionally



advanced FLOW engineering, inc.

Corona, CA 92879

<https://afepower.com/contact>