

## ***advanced FLOW engineering***

Takeda Momentum Cold Air Intake System

### **Instruction Manual** P/N: 56-70013D / 56-70013R

Make: Honda  
Make: Honda  
Make: Honda  
Make: Acura

Model: Ridgeline  
Model: Odyssey  
Model: Pilot  
Model: MDX

Year: 2017-2024  
Year: 2018-2024  
Year: 2016-2022  
Year: 2014-2020

Engine: V6-3.5L  
Engine: V6-3.5L  
Engine: V6-3.5L  
Engine: V6-3.5L



- Please read the entire instruction manual before proceeding.
- Ensure all components listed are present.
- If you are missing any of the components, call customer support at 951-493-7100.
- Ensure you have all necessary tools before proceeding.
- Do not attempt to work on your vehicle when the engine is hot.
- Disconnect the negative battery terminal before proceeding.
- Retain factory parts for future use.

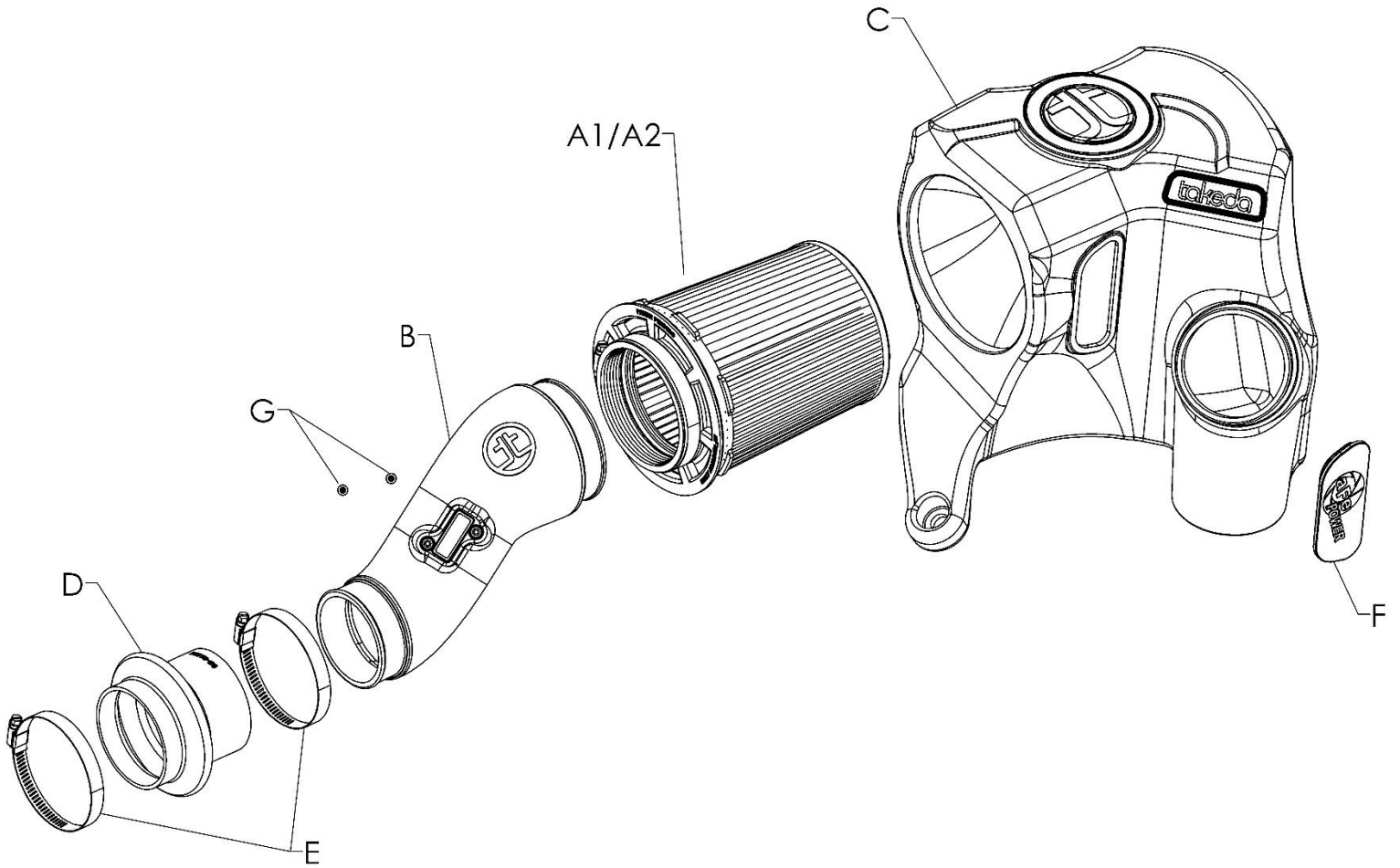
Label	Qty.	Description	Part Number
A1	1	Air Filter (Pro 5R)	24-91108
A2	1	Air Filter (Pro DRY S)	21-91108
B	1	Tube	05-5670013B1
C	1	Housing	05-5670013B2
D	1	Coupling, Silicone Bellow: 3-1/4" ID x 3-1/2"L w/Port	05-01512
E	2	Clamp, 052 (2-13/16" – 3-3/4")	03-50008
F	1	Plug, Silicone	05-00937
G	2	Screw, Torx M4	03-50491

**Installation will require the following tools:**

T-20 Torx driver, #2 Phillips screwdriver, 8mm nut driver, 10mm socket and driver with 6" extension, Flat head screwdriver, and pliers.

Warranty Information available at <https://afepower.com/contact#warranty>

**Emissions Disclaimer:** This product is not currently CARB exempt and is not available for purchase in California or for use on any vehicle registered with the California Department of Motor Vehicles.



**Figure A****Refer to Figure A for Step 1**

Step 1: Remove the front cowl (1) from the vehicle by pulling up gently along the edges until it unclips from the core support across the entire front of the vehicle.



**Figure B****Refer to Figure B for Step 2**

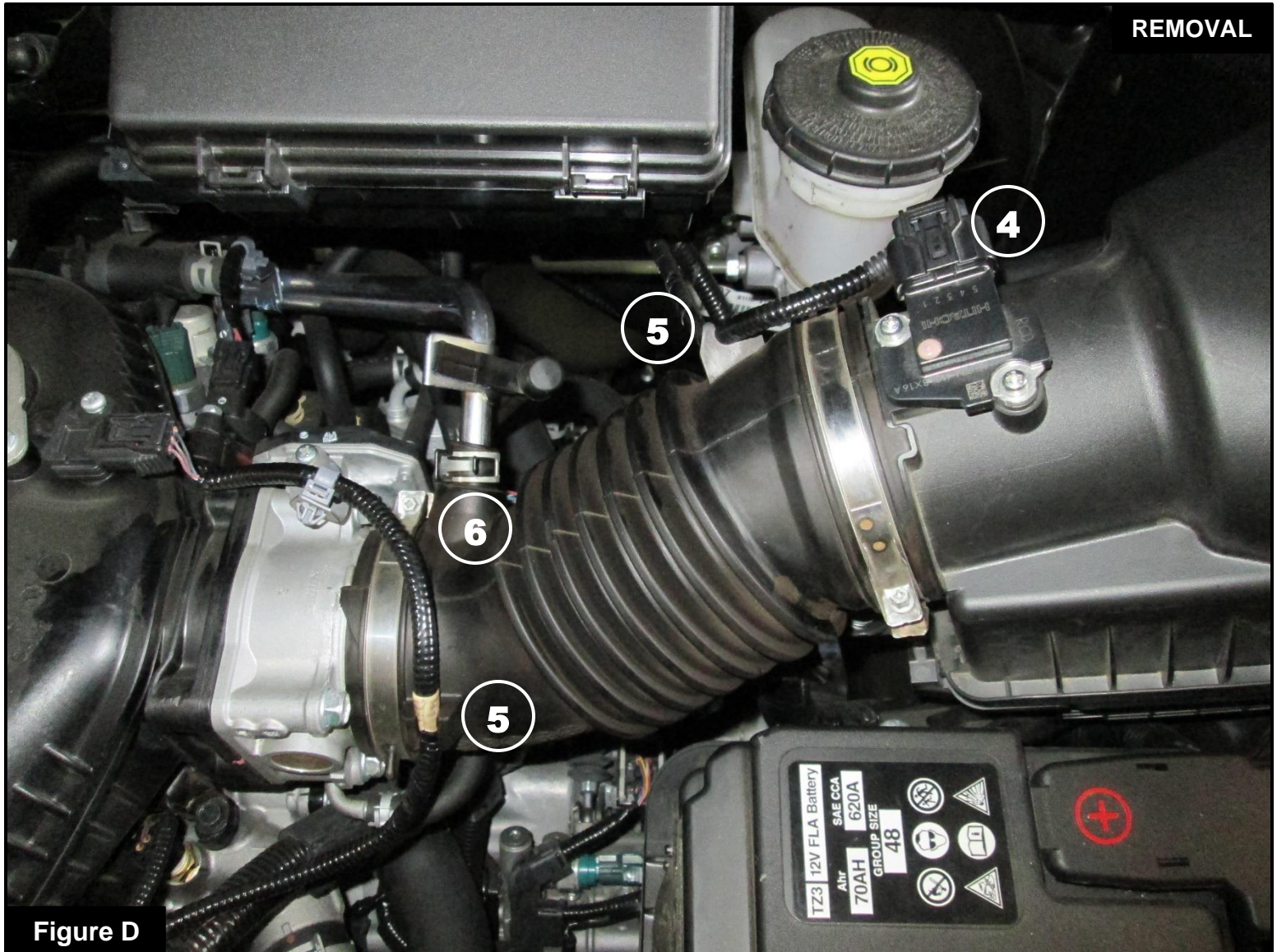
Step 2: Using a #2 Phillips screwdriver, remove the two clips ② securing the stock inlet scoop and set them aside. Remove the entire scoop from the vehicle.



**Figure C****Refer to Figure C for Step 3**

Step 3: Remove the engine cover (3) from the vehicle by gently pulling upwards until it disconnects from its mounting grommets. Set aside.





**Refer to Figure D for Steps 4-6**

Step 4: Disconnect the Mass Airflow Sensor wire harness (4).

Step 5: Disengage the wire looms from the two clips on the intake tube (5).

Step 6: Using a pair of pliers, loosen the pinch clamp on the CCV line and remove the steel line (6) from the factory intake tube.



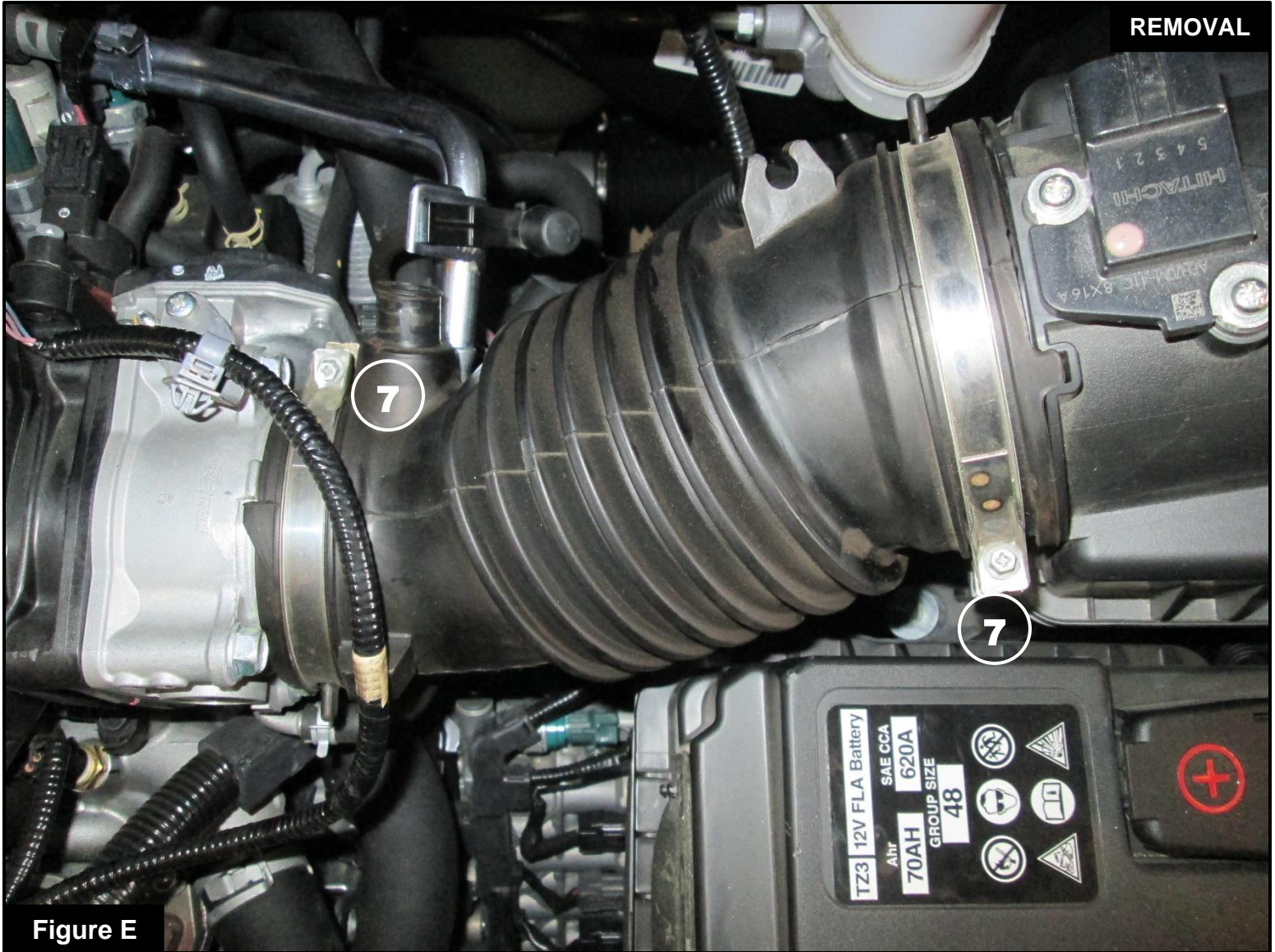


Figure E

**Refer to Figure E for Step 7**

Step 7: Using a #2 Phillips screwdriver, loosen the clamps (7) at the throttle body and factory filter housing. Remove the factory intake tube from the vehicle.





**Refer to Figure F for Steps 8-9**

Step 8: Using a flathead screwdriver, disengage and remove the two panel clips (8) located on the bottom side of the factory filter housing. Move the wire loom support bracket out of the way.

Step 9: Using a 10mm socket and driver with a 6" extension, loosen the two screws (9) securing the factory filter housing in the vehicle. Remove the housing from the vehicle.



**Figure G****Refer to Figure G for Steps 10-11**

Step 10: Transfer the two rubber grommets and steel inserts (10) from the factory filter housing to your aFe Power airbox.

Step 11: Transfer the rubber trim (11) from the bottom inlet of the factory filter housing to the bottom inlet of your aFe Power airbox.



**Figure H****Refer to Figure H for Step 12**

Step 12: Using a #2 Phillips screwdriver, remove the two screws securing the Mass Airflow Sensor (12) to the top of the factory filter housing. Transfer the sensor to your aFe Power intake tube and secure using the supplied M4 screws. Tighten using a T20 Torx driver.



**Figure I****Refer to Figure I for Step 13**

Step 13: Install your aFe Power airbox into the vehicle by first lining up the bottom inlet (13) , then securing it using the two 10mm screws (14) removed in step #9 through the grommets on your aFe airbox.



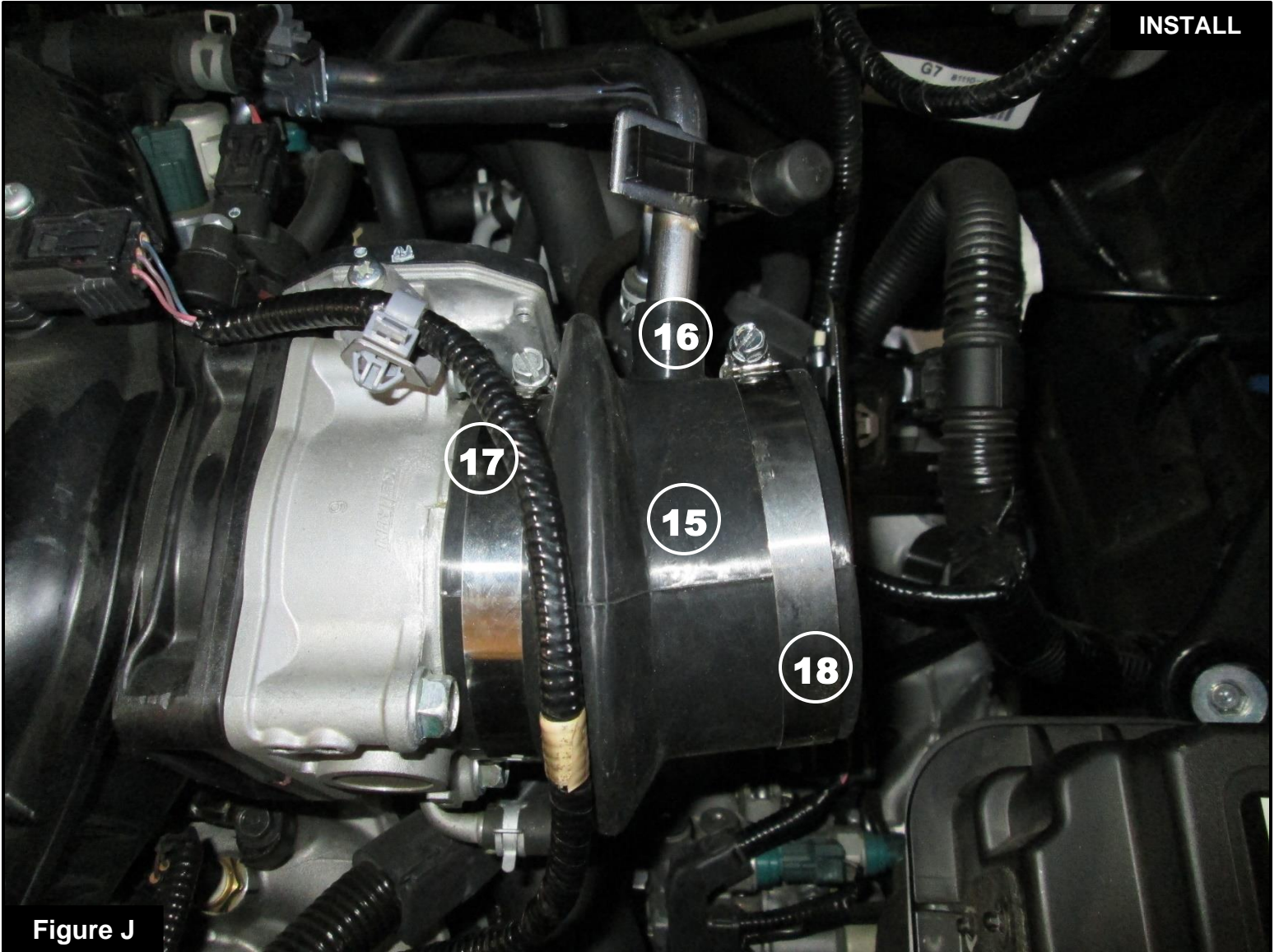


Figure J

**Refer to Figure J for Step 14**

Step 14: Install the supplied coupler (15) onto the throttle body with the port away from the throttle body. Rotate the coupler to line up with the steel CCV line (16) and secure it in place with one of the supplied #052 clamps (17) as shown using an 8mm nut driver to tighten. Slip the other #052 clamp (18) over the open end of the coupler but do not tighten.



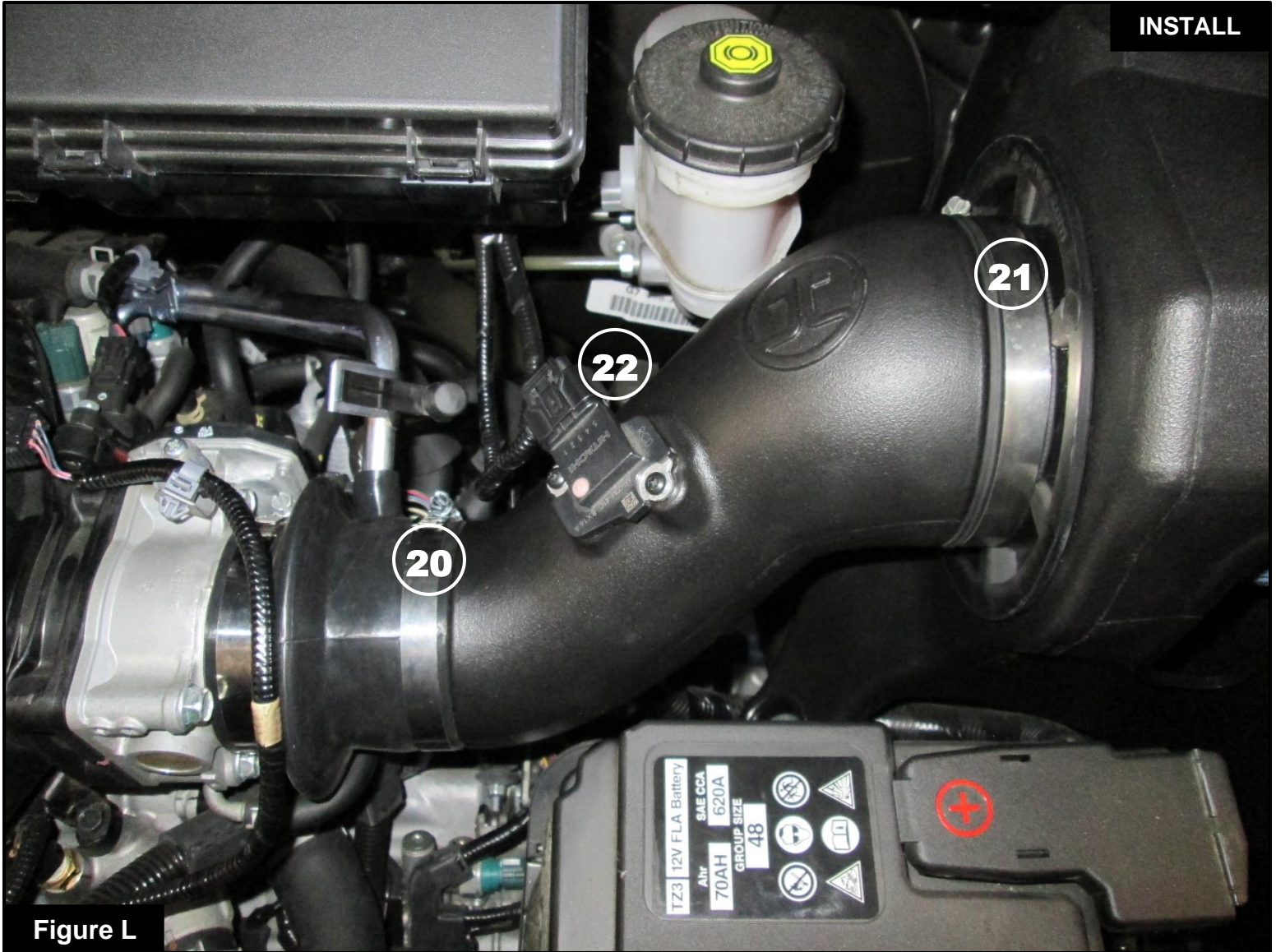
INSTALL

Figure K

**Refer to Figure K for Step 15**

Step 15: Install your aFe air filter and clamp ①9 into the airbox as shown. Leave the clamp loose.



**Figure L****Refer to Figure L for Steps 16-18**

Step 16: Install the aFe intake tube into the vehicle by sliding the tube first into the open coupler at the throttle body, then then into the air filter.

Step 17: Tighten the clamps at the coupler ②① and air filter ②① using an 8mm nut driver.

Step 18: Reconnect the Mass Airflow Sensor wire harness ②② .



**Figure M****Refer to Figure M for Steps 19-20**

Step 19: Reinstall the stock air scoop (23) by slipping the rubber boot over the inlet on your aFe airbox and securing the scoop inlet in the factory location with the clips (24) removed in step #2.

Step 20: Reinstall your engine cover (25) .





Figure N

**Refer to Figure N for Steps 21-23**

Step 21: Reinstall the front cowl (26) by lining up the mounting clips and gently pressing in to engage.

Step 22: To completely seal your intake, install the supplied silicone plug (27) into the opening on the front of the airbox. Best performance is achieved with the plug removed.

Step 23: Your installation is now complete. Thank you for choosing aFe POWER!

**NOTE: Check all bolts, clamps, and connectors after 100-200 miles.**

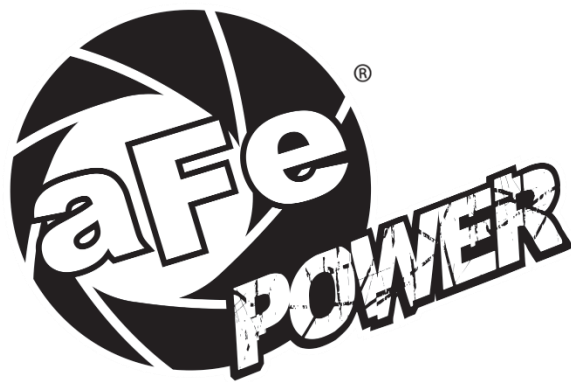


**PAGE LEFT BLANK INTENTIONALLY**





**PAGE LEFT BLANK INTENTIONALLY**



***advanced FLOW engineering, inc.***

Corona, CA 92879

<https://afepower.com/contact>