

advanced FLOW engineering Takeda Momentum Cold Air Intake System

Instruction Manual P/N: 56-70022D / 56-70022R

Make: Ford

Model: Fiesta ST

Year: 2014-2015

Engine: I4-1.6L (t)



- Please read the entire instruction manual before proceeding.
- Ensure all components listed are present.
- If you are missing any of the components, call customer support at 951-493-7134.
- Ensure you have all necessary tools before proceeding.
- Do not attempt to work on your vehicle when the engine is hot.
- Retain factory parts for future use.

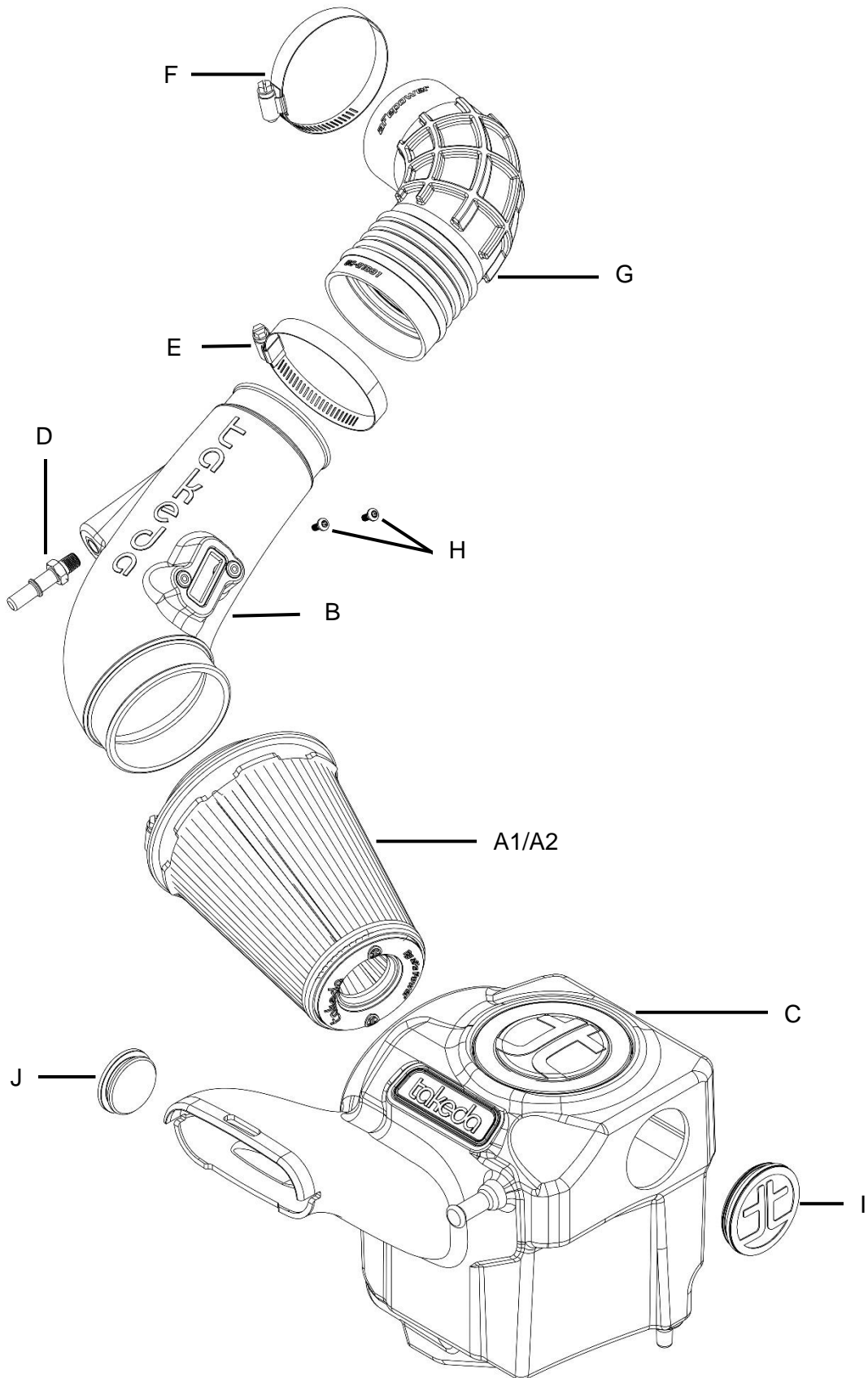
Label	Qty.	Description	Part Number
A1	1	Air Filter (Pro 5R)	TF-9029R
A2	1	Air Filter (Pro DRY S)	TF-9029D
B	1	Tube	05-5670022B1
C	1	Housing	05-5670041B2
D	1	Fitting, Vent	05-01338
E	1	Clamp, 048 (2-9/16" - 3-1/2 ")	03-50007
F	1	Clamp, 044 (2-5/16" - 3-1/4")	03-50019
G	1	Coupling, Silicone Reducer Elbow	05-01691
H	2	Screw, Torx: M4x8mm	03-50491
I	1	Plug, Silicone Black: 2.25" Dia (Takeda)	05-01527
J	1	Plug, Silicone: 1.4" Dia	05-01387

Installation will require the following tools:

T-20 Torx driver, 7mm and 8mm nut drivers, small flat blade screwdriver, 15mm wrench or adjustable

Warranty Information available at <https://afepower.com/contact#warranty>

Emissions Disclaimer: This product is not currently CARB exempt and is not available for purchase in California or for use on any vehicle registered with the California Department of Motor Vehicles.





Refer to Figure A for Steps 1-4

Step 1: Remove the engine cover ①.

Step 2: Disconnect the quick release connector ②.

Step 3: Using a 7mm nut driver, loosen the stock clamps ③ at the turbo tube and at the airbox.

Step 4: Remove the stock intake tube.



Figure B

Refer to Figure B for Steps 5-6

Step 5: Disconnect the MAF sensor (4).

Step 6: Using a small flat blade screwdriver, release the tab (5) at the scoop section and remove the airbox by pulling up to release from its mounting grommets (6) and mounting pin bracket. Make sure the mounting grommets are still in the mounting bracket tabs. If they pulled out and are stuck in the lower half of the airbox, remove them from the airbox and insert them back on the mounting bracket tabs.

**Figure C****Refer to Figure C for Steps 7-8**

Step 7: Using a Torx T20 driver, remove the MAF sensor (7) from the upper half of the airbox and install it into the Takeda intake tube using the two provided M4 Torx screws.

Step 8: Install the supplied aluminum vent fitting (8) into the Takeda intake tube using a 15mm wrench or adjustable wrench. **Do not overtighten!**



Figure D

Refer to Figure D for Steps 9-11

Step 9: Remove the rubber isolator (9) from the airbox mounting pin and install it on the Takeda housing mounting pin as shown.

Step 10: Install the small aFe plug (10) into the Takeda housing as shown.

Step 11: Install the large Takeda plug (11) on the side of the Takeda housing as shown.

NOTE: This plug is accessible to be removed and installed at any time to increase airflow and engine sound if desired.


Figure E

Refer to Figure E for Steps 12-13

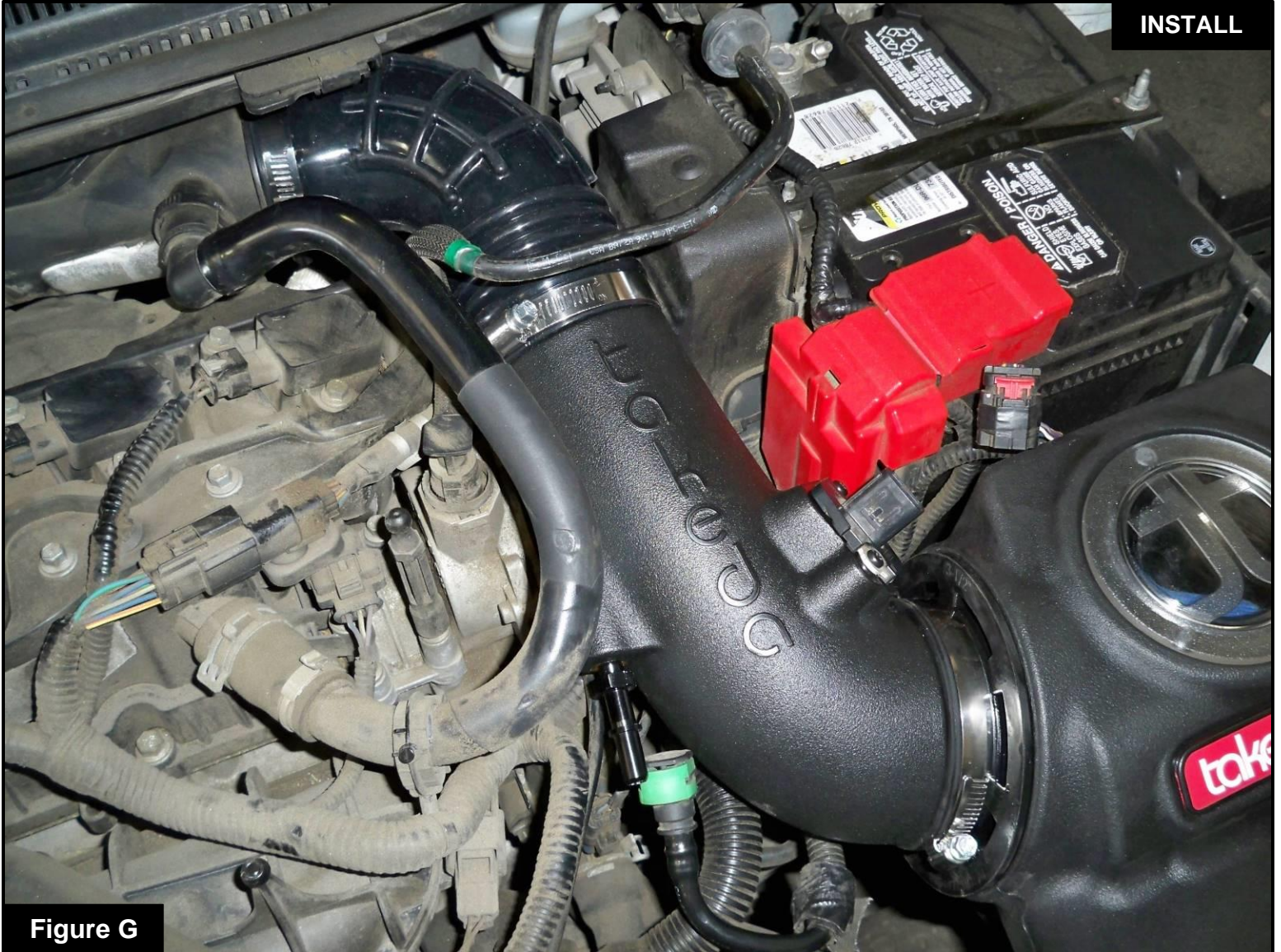
Step 12: Install the Takeda housing into the vehicle by pushing down the housing pins into the mounting grommets, snapping in the rubber isolator (12) to the mounting pin bracket and inserting the scoop section until the release tab (13) snaps on. Make sure the pins are completely through the mounting grommets and the release tab is holding the housing.

Step 13: Slide the Takeda filter and clamp into the Takeda housing and push it in until it locks into place. Do not tighten the clamp.

**Figure F****Refer to Figure F for Steps 14-15**

Step 14: Install the supplied silicone coupling (14) onto the turbo tube with the supplied #44 clamp (15) as shown. Do not tighten the clamp.

Step 15: Place the supplied #48 clamp (16) on the silicone coupling as shown. Do not tighten the clamp.

**Figure G****Refer to Figure G for Steps 16-17**

Step 16: Install the Takeda intake tube into the vehicle. Slide the tube into the coupling first and then into the air filter.

Step 17: Align the Takeda intake tube, coupling and clamps correctly, then using an 8mm nut driver tighten all the clamps..

**Figure H****Refer to Figure H for Steps 18-21**

Step 18: Connect the MAF sensor (17).

Step 19: Lubricate the end of the vent fitting, then connect the quick release connector (18).

Step 20: Install the engine cover.

Step 21: Check all the components are tight and secure. Your installation is now complete. Thank you for choosing aFe POWER!

NOTE: Check all bolts, clamps, and connectors after 100-200 miles.



advanced FLOW engineering, inc.

252 Granite Street Corona, CA 92879
TEL: 951.493.7100 • TECH: 951.493.7134
E-Mail: Tech@aFepower.com