

advanced FLOW engineering Cold Air Intake System

Instruction Manual P/N: 52-10003D / 52-10003R

Make: Ford
Make: Ford

Model: Edge ST
Model: Edge Sport

Year: 2019-2023
Year: 2015-2018

Engine: V6-2.7L(tt)
Engine: V6-2.7L(tt)



- Please read the entire instruction manual before proceeding.
- Ensure all components listed are present.
- For technical support please call 951-493-7185.
- Ensure you have all necessary tools before proceeding.
- Do not attempt to work on your vehicle when the engine is hot.
- Retain factory parts for future use.

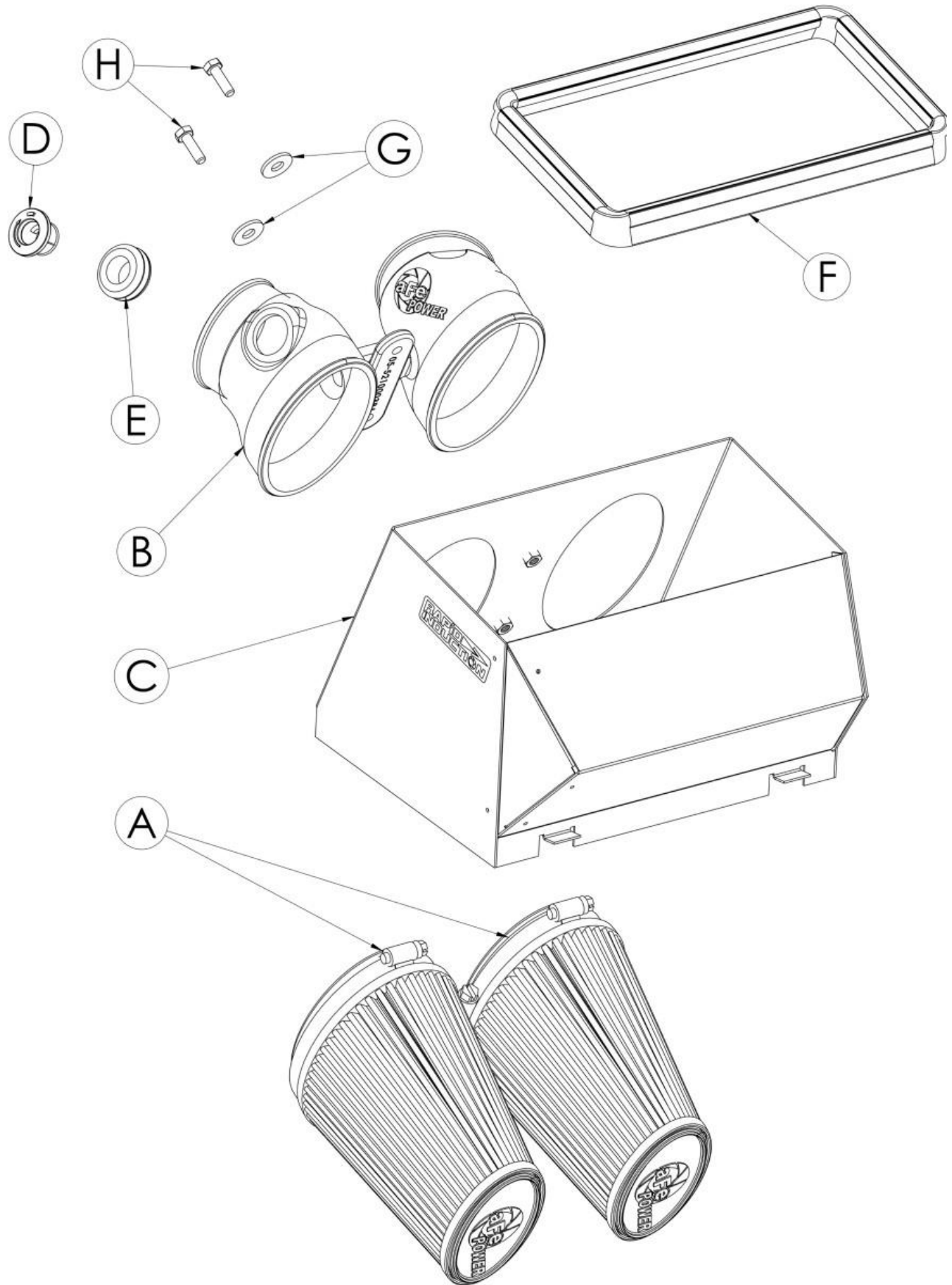
Label	Qty.	Description	Part Number
A1	1	Air Filter (Pro 5R)	R24-90054
A2	1	Air Filter (Pro DRY S)	R21-90054
B	1	Tube	05-5210003B1
C	1	Housing	05-5210003B2
D	1	Adaptor, Air Temp Sensor	05-01454
E	1	Grommet, Rubber	03-50167
F	1	Seal Trim (length 32")	05-00072
G	2	Washer, Flat: M6	03-50070
H	2	Screw, Hex Hd: M6x1x16	03-50052

Installation will require the following tools:

7mm, 8mm, and 10mm nut drivers.

Warranty Information available at <https://afepower.com/contact#warranty>

Emissions Disclaimer: This product is not currently CARB exempt and is not available for purchase in California or for use on any vehicle registered with the California Department of Motor Vehicles.



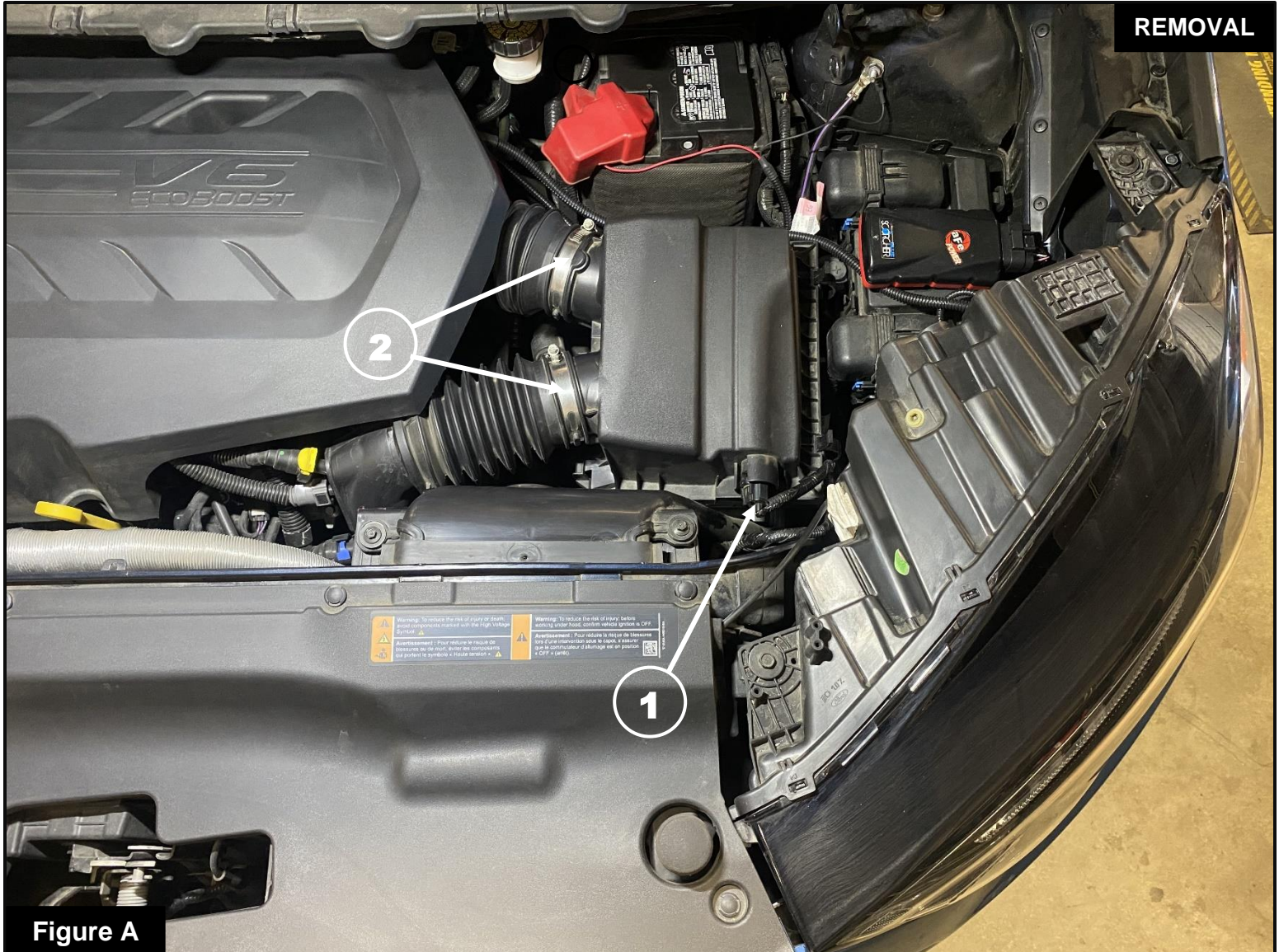


Figure A

Refer to Figure A for Steps 1-2

Step 1: Disconnect the air temperature sensor ①.

Step 2: Using a 7mm nut driver, loosen the clamps ② attaching the factory intake tubes to the factory upper housing. Disconnect the factory intake tubes from the factory upper housing.

**Figure B**

Refer to Figure B for Step 3

Step 3: Release the 2 clamps (3) on the factory housing and remove the factory upper housing along with the factory air filter.

**Figure C****Refer to Figure C for Steps 4-5**

Step 4: Place the aFe POWER air filters with clamps in the aFe POWER housing as shown in the bottom right figure and then insert the aFe POWER intake tube into the air filters.

Step 5: Using an 8mm nut driver, tighten the air filter clamps (4).

**Figure D****Refer to Figure D for Steps 6-7**

Step 6: Using a 10mm nut driver, install the supplied M6 screws and washers (5), securing the aFe POWER intake tube to the aFe POWER housing.

Step 7: Install the rubber grommet and air temp sensor fitting (6) onto your aFe POWER intake tube as shown.

***NOTE:** Use a dab of oil or dish soap on the air temp sensor fitting to help install into rubber grommet.



Refer to Figure E for Step 8

Step 8: Install the aFe POWER air filter and housing assembly by sliding in the 2 tabs beneath the intake tubes into the factory lower housing. Secure the aFe POWER housing with the 2 spring clips (7) from step 5.



Figure F

Warning: To reduce the risk of injury or death, avoid components marked with the High Voltage Symbol.

Warning: To reduce the risk of injury, before working under hood, confirm vehicle ignition is OFF.

Avvertimento: Per ridurre il rischio di lesioni, prima di lavorare sotto il cofano, verificare che l'ignizione sia spenta.

Refer to Figure F for Steps 9-10

Step 9: Remove the air intake temperature sensor (8) from the factory housing.

Step 10: Install the air intake temperature sensor (9) removed in step 9 onto the aFe POWER intake tube.

**Figure G**

Warning: To reduce the risk of injury or death, avoid components marked with the High Voltage Symbol.
 Avertissement: Pour réduire le risque de blessures lors d'une intervention sous le capot, assurez-vous que le véhicule est correctement immobilisé.

Refer to Figure G for Steps 11-12

Step 11: Using a 7mm nut driver, re-connect the factory intake tubes that were disconnected in step 2.

Step 12: Plug in the air temperature sensor **10**.



Refer to Figure H for Steps 13-14

Step 13: Install the supplied seal trim along the top edge of your aFe POWER filter housing, cutting slots if necessary, to help with the bend angles (11).

Step 14: Check that all clamps are tight and connections are secure. Your installation is now complete.

Thank you for choosing aFe POWER!

NOTE: Check all screws, clamps, and connectors are secure after 100-200 miles.



advanced FLOW engineering, inc.

252 Granite Street Corona, CA 92879

<https://afepower.com/contact>