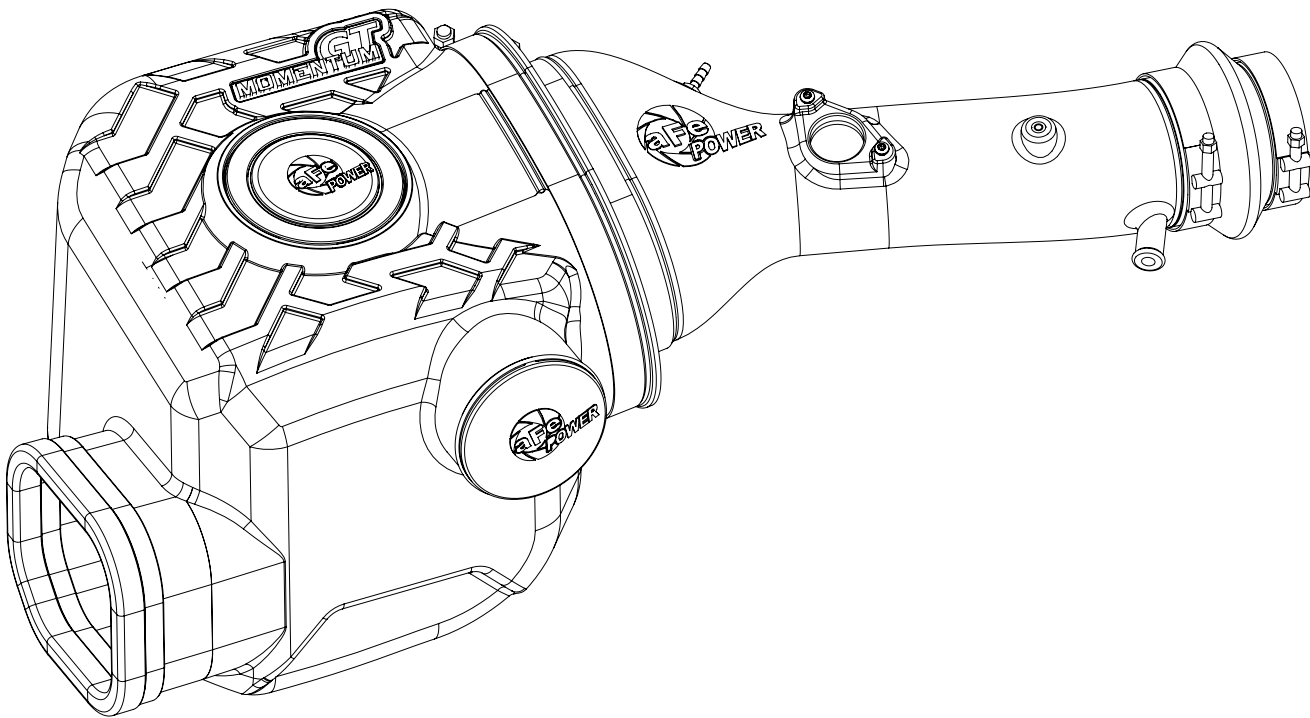


GT
MOMENTUM™



advanced FLOW engineering

Instruction Manual P/N: 51-76004 / 54-76004 / 75-76004

Make: **Toyota** Model: **Tacoma** Year: **2005-2011** Engine: **V6-4.0L**



- Please read the entire instruction manual before proceeding.
- Ensure all components listed are present.
- If you are missing any of the components, call customer support at 951-493-7100.
- Ensure you have all necessary tools before proceeding.
- Do not attempt to work on your vehicle when the engine is hot.

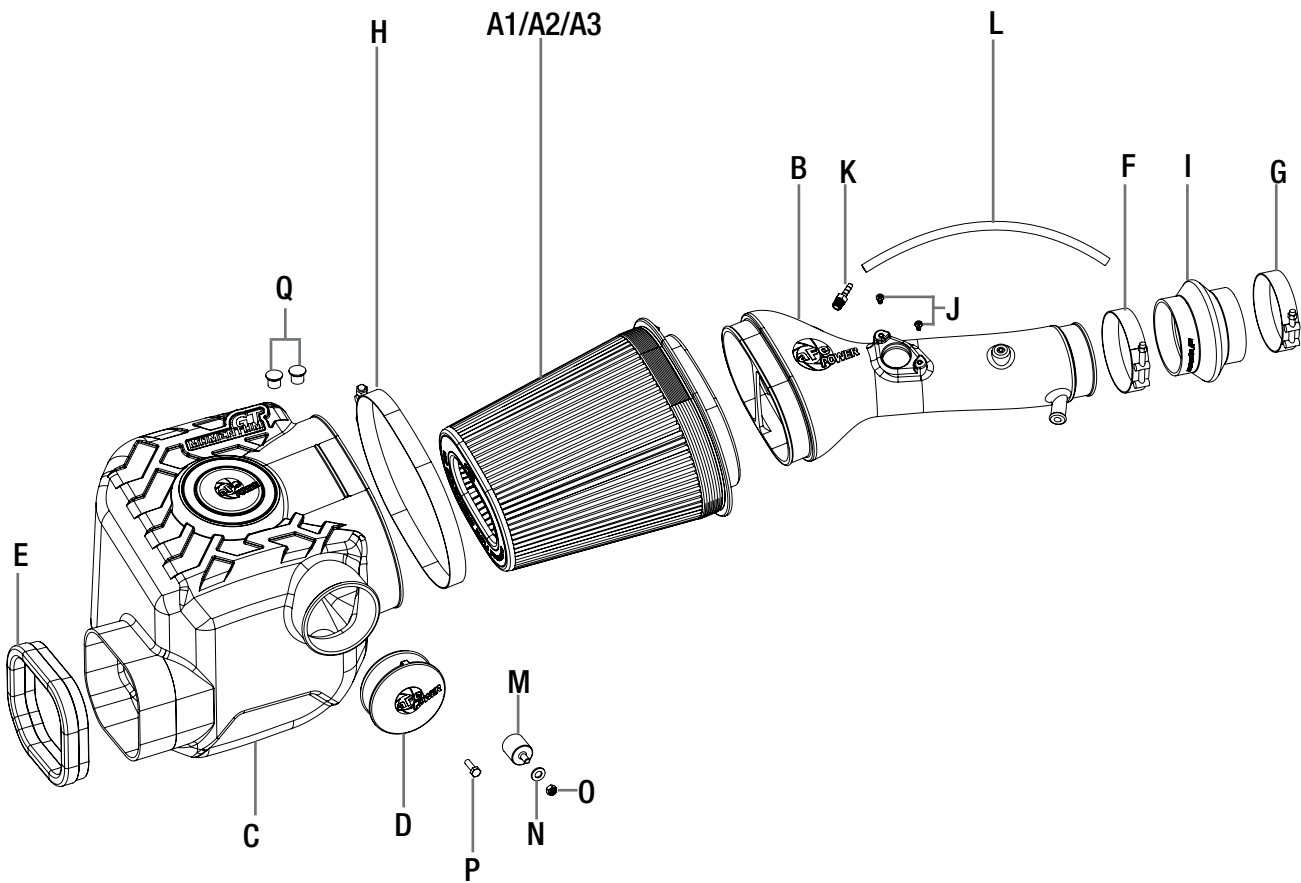
Retain factory parts for future use.

Label	Qty.	Description	Part Number
A1	1	Air Filter (Pro 5R)	24-91123
A2	1	Air Filter (Pro DRY S)	21-91123
A3	1	Air Filter (Pro-GUARD 7)	72-91123
B	1	Tube	05-76004B1
C	1	Housing	05-76004B2
D	1	Plug, Urethane	05-01361
E	1	Seal, Trim (17")	05-00007
F	1	Clamp, T-bolt (3-1/4" - 3-9/16")	05-50292
G	1	Clamp, T-bolt (3-1/16" - 3-3/8")	05-50320
H	1	Clamp, T-bolt (8-5/16" - 8-5/8")	05-50267
I	1	Coupling, Silicone Bellow	05-01470
J	2	Screw, Torx: M4	05-50491
K	1	Brass Hose Nipple	03-50191
L	1	Vacuum Hose: 5/32"ID (16")	05-00122
M	1	Isolation Mount	03-50063
N	1	Washer, Flat: M8 x 24mm OD	03-50065
O	1	Hex Nylon Nut	03-50244
P	1	Bolt, M8 x 1.25 x 25mm	03-50442
N	2	Retainer Clip, 1/4" Hole	05-01350

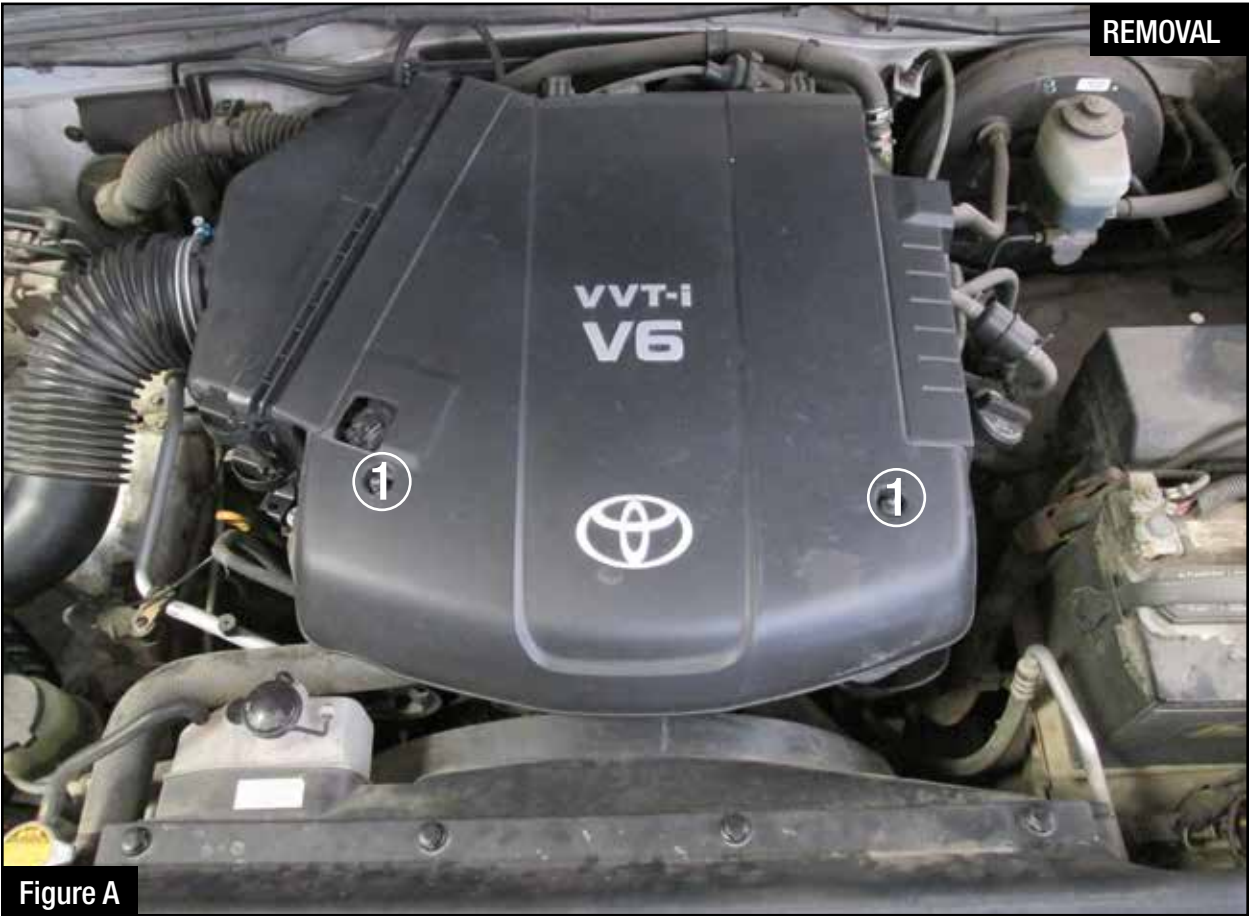
Installation will require the following tools:

10mm nut driver, #1 Phillips screwdriver, 11mm deep socket, 12mm & 13mm sockets and drivers, T20 driver and E6 size star socket.

Warranty Information available at <https://afepower.com/contact#warranty>



Note: Legal in California for use on race vehicles only. The use of this device on vehicles used on public streets or highways is strictly prohibited in California and others states that have adopted California emission regulations.

**Figure A****Refer to Figure A for Step 1**

Step 1: Using a 10mm nut driver, remove the two nuts ① holding the engine cover and set the cover aside.



Figure B

Refer to Figure B for Steps 2-6

Step 2: Using a 10mm nut driver, remove the two screws (2) securing the OE airbox and loosen the clamps (3) at the throttle body and intake snorkel.

Step 3: Disconnect the MAF sensor (4) and wire clips.

Step 4: Disconnect the crank case vent line (5).

Step 5: Disconnect the small vacuum line on the rear of the OE intake (6).

Step 6: Remove the entire stock intake housing by gently pulling it away from the throttle body, then disconnecting from the intake snorkel.

**Figure C****Refer to Figure C for Step 7**

Step 7: Using a 12mm socket and extension remove the two screws ⑦ holding the OE air intake snorkel and remove.

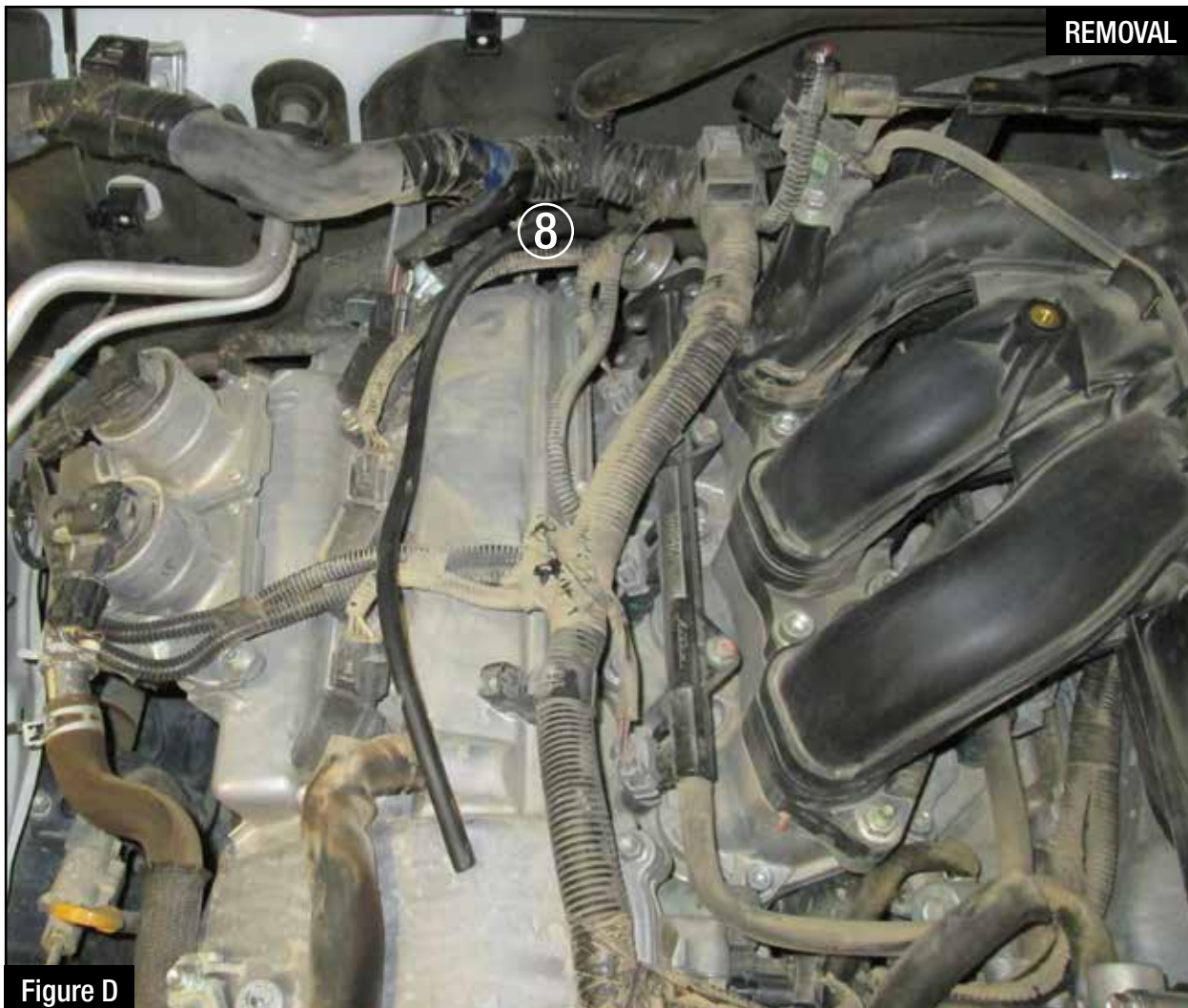


Figure D

Refer to Figure D for Step 8

Step 8: Replace the stock 5/32" vacuum line (8) with the supplied 5/32" hose.



Figure E

Refer to Figure E for Step 9

Step 9: Remove and transfer two steel sleeves and two rubber isolation grommets (9) from the stock intake housing to the aFe housing in the rear-most mounting points (10) .



Figure F

Refer to Figure F for Steps 10-12

Step 10: Remove the MAF sensor (11) from the OE airbox using a #1 Philips head screwdriver and reinstall into the aFe intake tube using the supplied T20 torx screws.

Step 11: Using an E6 star socket, remove the mounting stud (12) from the OE intake and install into the threaded insert on the aFe intake tube.

Step 12: Install the brass hose fitting (13) into the aFe intake tube, and tighten using an 11mm wrench.

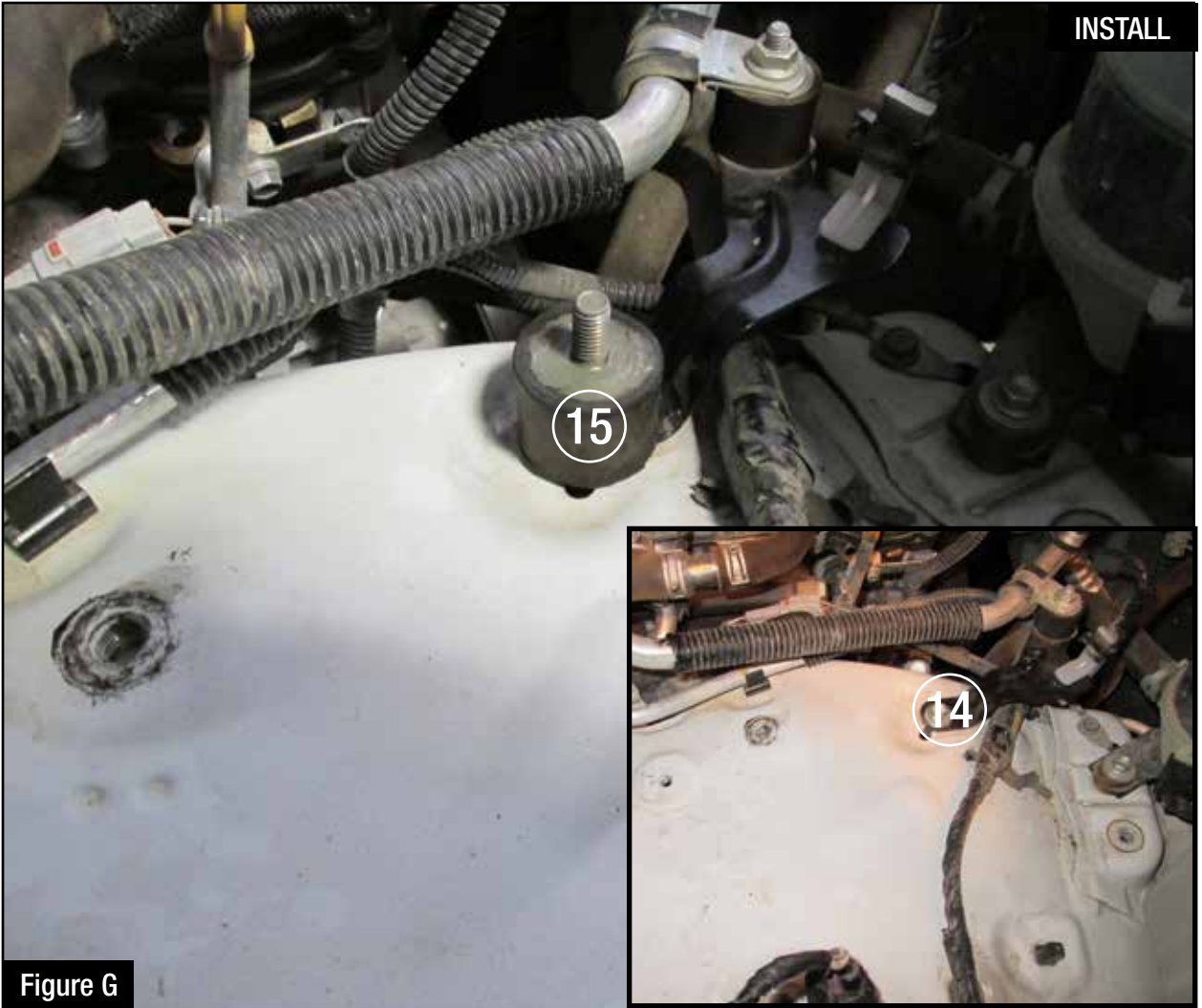


Figure G

Refer to Figure G for Step 13

Step 13: Using a 10mm socket remove the screw (14) holding the A/C bracket and replace it with the supplied M8 isolation mount (15). Hand tighten the rubber isolation mount only.



Figure H

Refer to Figure G for Step 14

Step 14: Install the supplied trim seal on the aFe airbox. Trim to fit.

**Figure I****Refer to Figure H for Step 15**

Step 15: Place the aFe airbox into the vehicle and secure using one of the 12mm screws removed in Step 7 in the left-most mounting location (16). Use the supplied M8 screw in the right-rear mounting location (17) and tighten using a 12mm socket. Using the supplied M8 nut and washer, tighten down the airbox onto the isolation mount (18) using a 13mm socket.



Figure J

Refer to Figure J for Step 16

Step 19: Install the supplied large T-bolt clamp (19) onto the airbox and slide the air filter into the airbox. Do not tighten the clamp at this time.

**Figure K****Refer to Figure K for Steps 17-18**

Step 17: Install the supplied reducer coupling with the smaller T-bolt clamp ②0 onto the throttle body (Lettering on the coupler should be away from the throttle body). Tighten the clamp at the throttle body.

Step 18: Place the larger T-bolt clamp ②1 on the coupler, but do NOT tighten at this time.



Figure L

Refer to Figure L for Step 19

Step 19: Install the intake tube into the vehicle by sliding the tube first into the coupler on the throttle body, then into the air filter. Tighten all clamps.

**Figure M****Refer to Figure M for Step 20**

Step 20: Reconnect the crank case vent hose (22) and 5/32" vacuum line (23) to the aFe intake tube. Reconnect the MAF sensor (24).

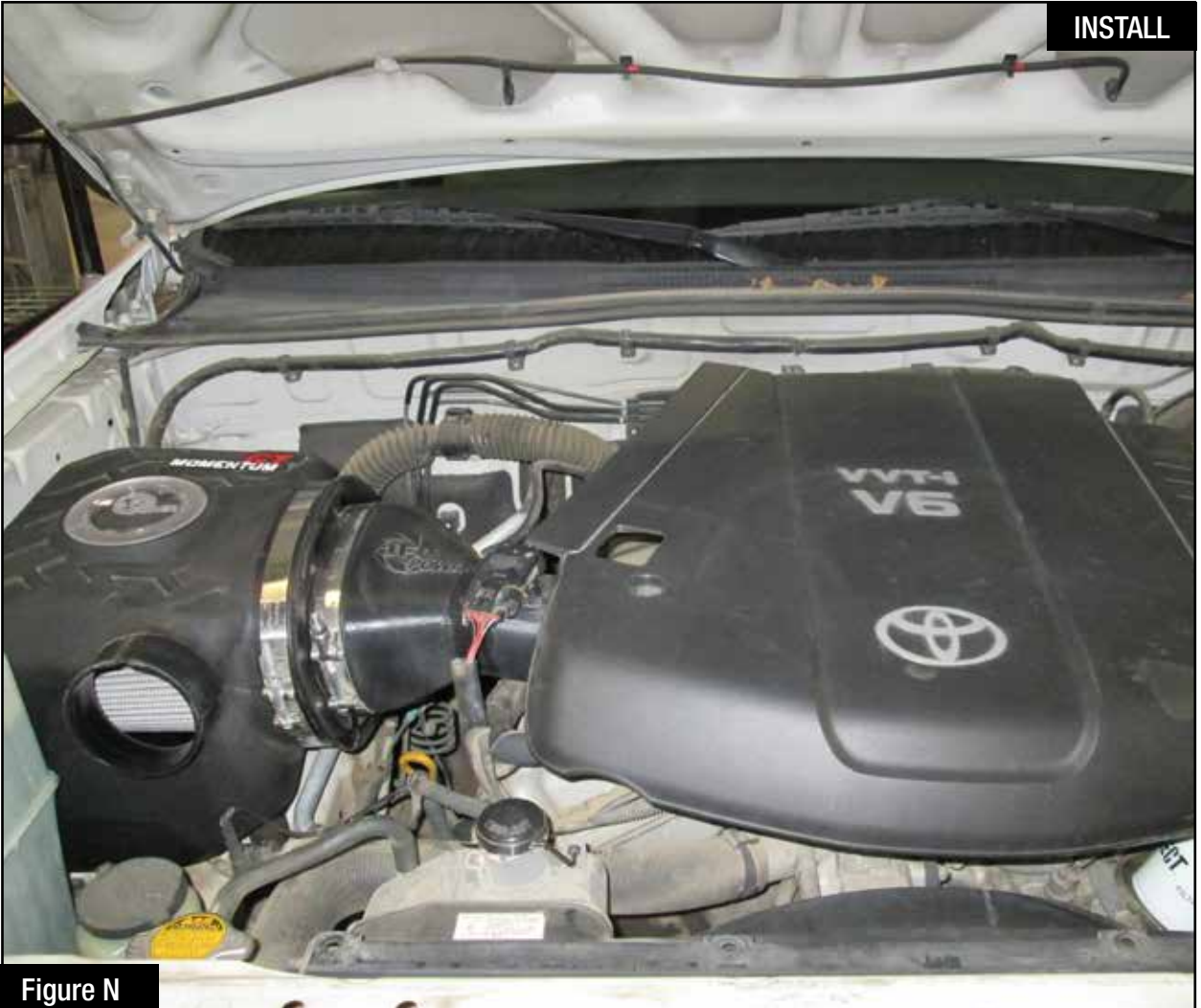


Figure N

Refer to Figure N for Steps 21-22

- Step 21: (Optional) Reinstall the engine cover utilizing the M6 stud on the aFe intake tube and secure using the stock 10mm nuts.
- Step 22: Use the provided plug to close the additional air inlet if you want to completely seal the airbox. Best performance gains are obtained without the plug. Check that all components are tight and secure. Your installation is now complete. Thank you for choosing aFe Power!

NOTE: Check all bolts, clamps, and connectors after 100-200 miles.

Page left blank intentionally

Page left blank intentionally



advanced FLOW engineering, inc.
252 Granite Street Corona, CA 92879
<https://afepower.com/contact>