

advanced FLOW engineering

Instruction Manual P/N: 51-76104 / 54-76104 / 75-76104

Make: **Nissan** Model: **Patrol (Y62)** Year: **2010-2017** Engine: **V8-5.6L (320 hp) VK56DE**



- Please read the entire instruction manual before proceeding.
- Ensure all components listed are present.
- If you are missing any of the components, call customer support at 951-493-7100.
- Ensure you have all necessary tools before proceeding.
- Do not attempt to work on your vehicle when the engine is hot.
- Disconnect the negative battery terminal before proceeding.
- Retain factory parts for future use.

Label	Qty.	Description	Part Number
A1	1	Air Filter (Pro DRY S)	21-91061
A2	1	Air Filter (Pro 5R)	24-91061
A3	1	Air Filter (Pro GUARD-7)	72-91061
B	1	Tube	05-76104B1
C	1	Housing	05-76103B2
D	1	Clamp, T-Bolt (8-5/16"-8-5/8") SS	03-50267
E	1	Clamp, T-Bolt (3-3/4"-4-1/16") SS	03-50265
F	1	Coupling, Elbow Reducer: (4"x3-1/2")ID	05-01363
G	1	Clamp, 056 (3-1/16"-4")	03-50009
H	1	Plug, Urethane	05-01202
I	4	Ties, Nylon Cable, Black	05-60167

Tools needed: 7mm Nut Driver, 8mm Nut driver, 10mm Nut Driver, 11mm Deep Socket, 1/4" Ratchet, 10mm deep Socket, Flathead Screw Driver, Phillips Screw Driver, Pliers.

Recommended: Acetone

Note: Legal in California for use on race vehicles only. The use of this device on vehicles used on public streets or highways is strictly prohibited in California and others states that have adopted California emission regulations.

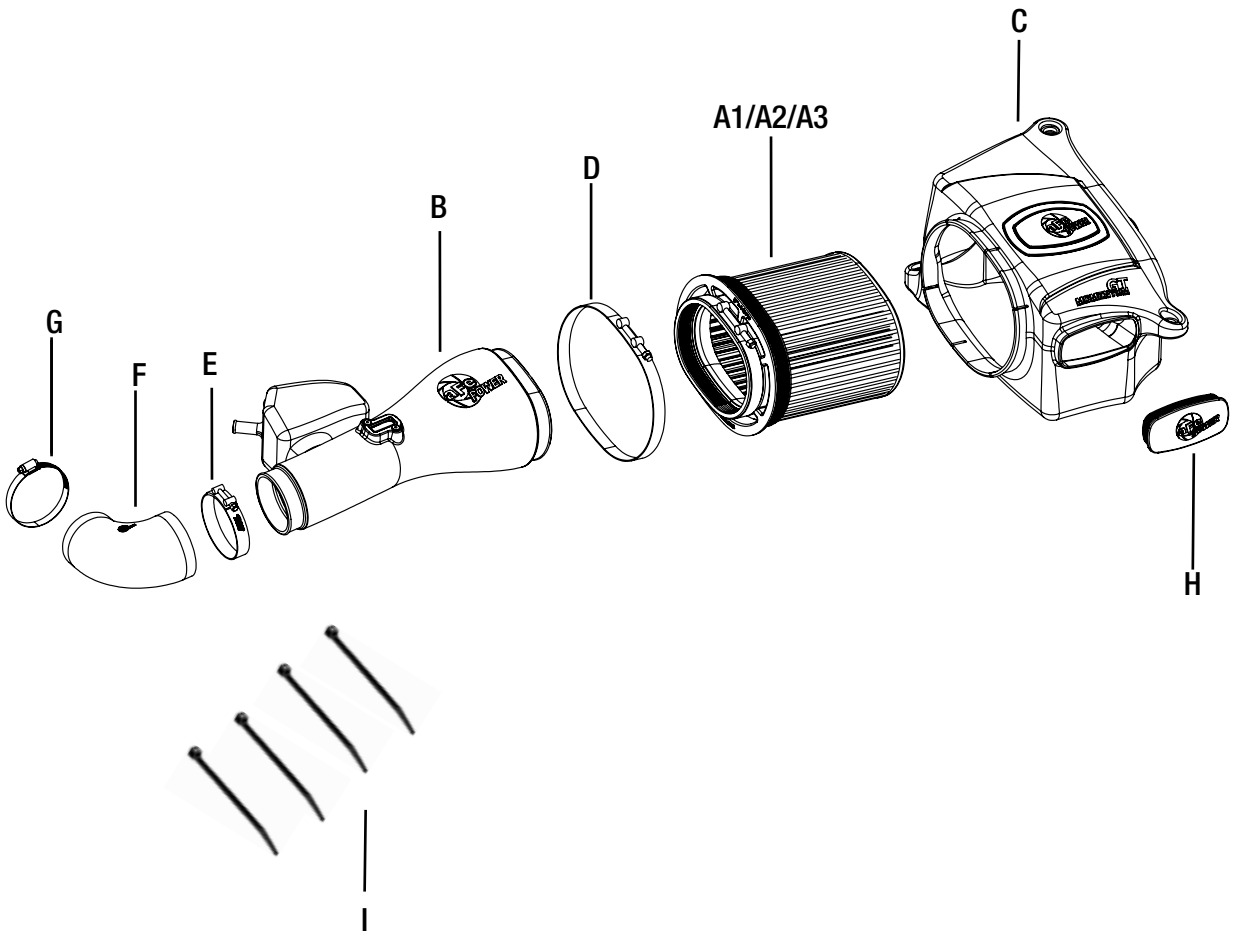



Figure A
Refer to Figure A for Steps 1-5

Step 1: Using a 10mm nut driver, remove the two bolts (1) securing the engine cover.

Step 2: Lift and pull the engine cover towards you to remove.

Step 3: Unclip the Mass Air Flow (MAF) sensor (2) from the tube.

Step 4: Carefully detach the clip (3) securing the wiring harness to the OE housing.

Step 5: Using a 10mm nut driver, remove the three bolts (4) securing the OE housing in place.

**Figure B****Refer to Figure B for Steps 6-8**

Step 6: Disconnect both Crank Case Vent (CCV) hoses (5) from the resonance chamber.

Step 7: Using an 8mm nut driver, loosen the hose clamp (6) at the throttle body.

Step 8: At this time, lift up and remove the entire intake assembly.


Figure C
Refer to Figure C for Steps 9-13

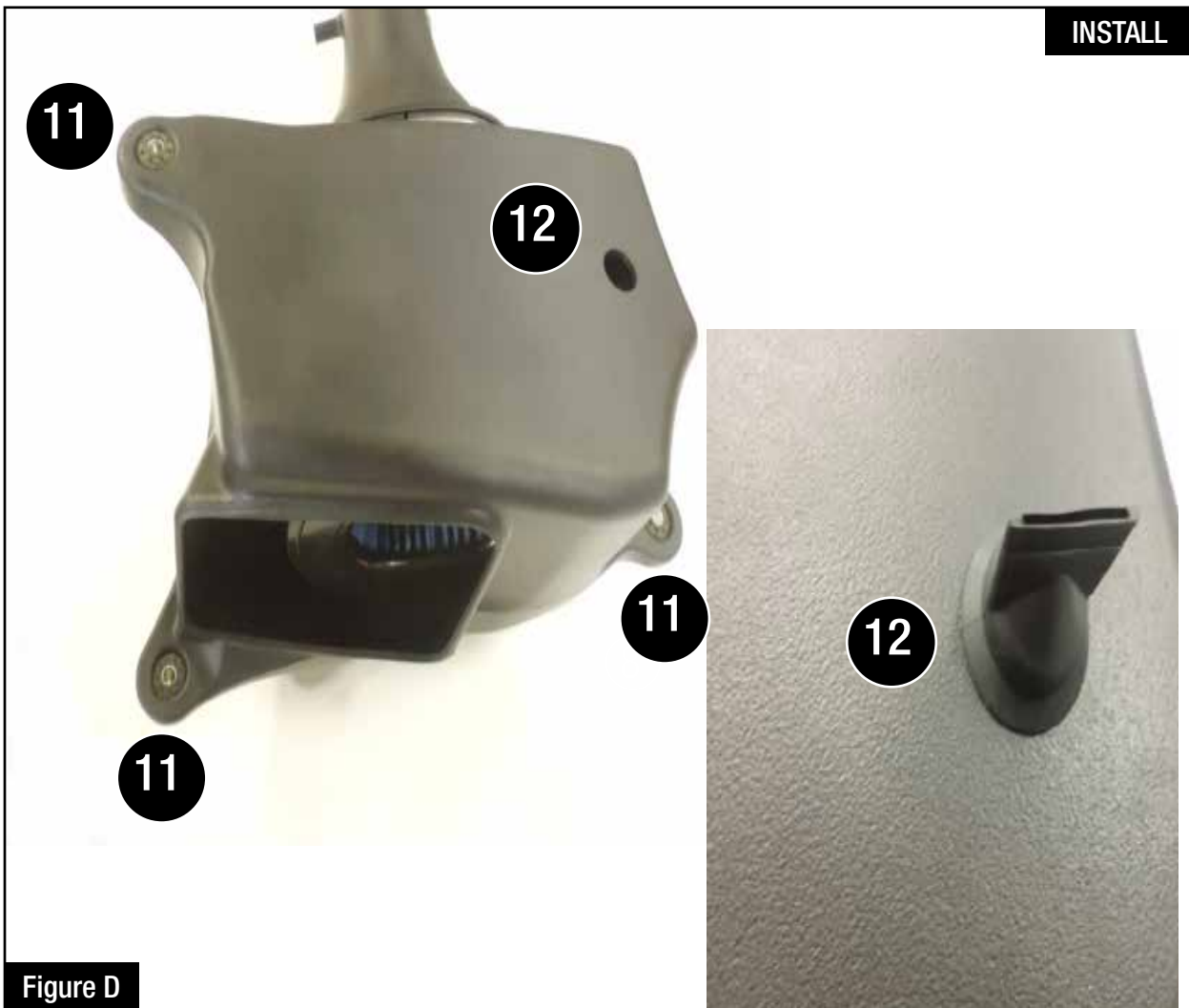
Step 9: Slide large T-bolt clamp over the aFe housing flange as shown.

Step 10: Clean the inside of the rotomold housing flange and both mating surfaces of the filter flange (acetone recommended).

Step 11: Insert the filter into the housing then the tube into the filter (8) and tighten both clamps at this time.

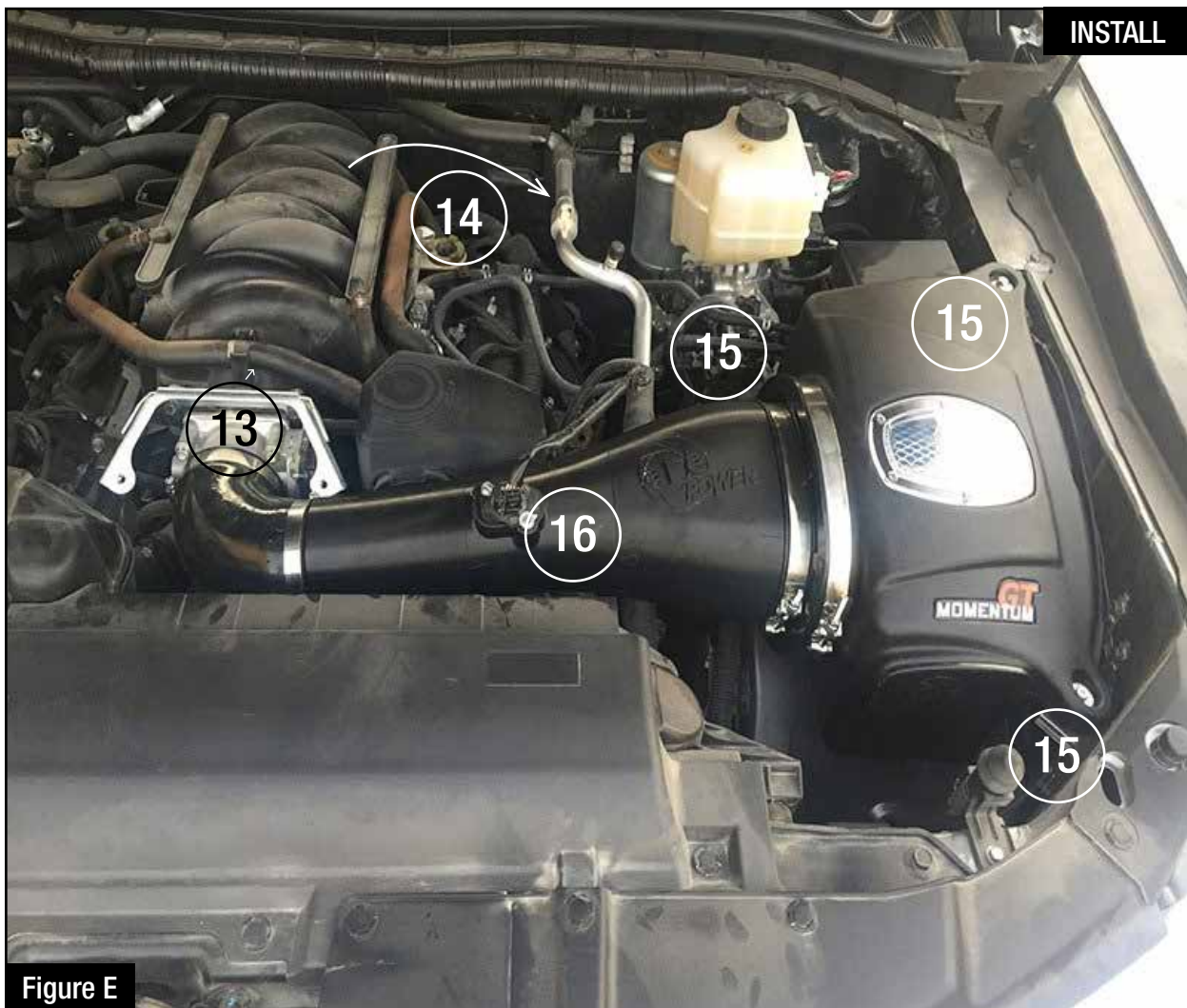
Step 12: Assemble the two smaller clamps and silicone elbow coupling as shown above (9).

Step 13: Reinstall the MAF sensor at this time (10), using the screws you removed in Step 3.

**Refer to Figure D for Steps 14-15**

Step 14: Remove the 3 steel sleeves and rubber grommets (11) from the OE housing and install on the aFe housing as shown.

Step 15: If equipped with rubber duck-billed drain plug (12) install here, otherwise leave open.


Figure E
Refer to Figure E for Steps 16-20

Step 16. Now take the entire intake assembly (13) and slide the silicone elbow coupling over the throttle body.

Step 17. While still holding, rotate the intake assembly clockwise (14), aligning the three mounting locations.

Step 18. Install (15) and tighten the three bolts previously removed in Step 5, securing the aFe housing in place.

Step 19. Using an 8mm nut driver, tighten the clamp over the throttle body.

Step 20. Connect the MAF sensor to the aFe tube at this time (16).



Figure F

Refer to Figure F for Step 21

Step 21. Reconnect the CCV hoses to the aFe tube as shown above (17).


Figure G

Refer to Figure G for Steps 22-24

- Step 22. Using the provided cable ties, secure the MAF sensor wiring harness in a safe location to prevent from moving around.
- Step 23. Make sure all clamps and connections are secured.
- Step 24. Reinstall engine cover at this time with the bolts removed in Step 1.

Your installation is now complete. Thank you for choosing aFe Power!

*Verify all connections are secure 100-200 miles after installation

Page left blank intentionally



Page left blank intentionally

Page left blank intentionally



Pro DRY S Air Filter



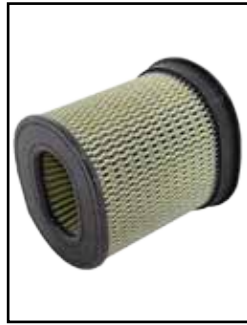
P/N: 21-91061

Pro 5R Air Filter



P/N: 24-91061

Pro-GUARD 7 Air Filter



P/N: 72-91061

Pro DRY S Restore Kit



P/N: 90-59999

Blue Squeeze Restore Kit



P/N: 90-50501

Blue Aerosol Restore Kit



P/N: 90-50001

Gold Squeeze Restore Kit



P/N: 90-50500

aFe Watch



P/N: 40-10125

License Plate w/ Frame



P/N: 40-10135

aFe Power Hat



P/N: 40-10043

To purchase any of the items above, view airflow charts, dyno graphs, photos, and video; please go to aFepower.com.

Warranty

General Terms:

- aFe warrants their products to be free from manufacturer's defects due to workmanship and material.
- This warranty applies only to the original purchaser of the product and is nontransferable.
- Proof of purchase of the aFe product is required for all warranty claims.
- Warranty is valid provided aFe instructions for installation and/or cleaning were properly followed.
- Proper maintenance with regular inspections of product is required to insure warranty coverage.
- Damage due to improper installation, abuse, unauthorized repair or alteration is not warranted.
- Incidental or consequential damages or cost, including installation and removal of part, incurred due to failure of aFe product is not covered under this warranty.
- All warranty is limited to the repair and/or replacement of the aFe part. To request Return Goods Authorization ("RGA"), email RGA@afepower.com or call (951)493-7100. Upon receipt of the RGA, you must return the product to the address provided in the RGA, freight prepaid and accompanied with a dated proof of purchase and the RGA. Upon receipt of the defective product and upon verification of proof of purchase, aFe will either repair or replace the defective product within a reasonable time, not to exceed thirty days.

Product Category	P/N Prefix	Warranty duration
Direct OE Replacement Filters	10, 11, 30, 31, 71, 73	Life of the vehicle
Racing Filters	18	1 year
Universal	21, 24, 72	2 years
Air Intake Systems	50, 51, 54, 55, 75	2 years
Exhaust Systems	49	2 years
Intercoolers & Intercooler Tubes	46-2	2 years
Intake Manifolds	46-1	2 years
Differential Cover	46-7	Life of the vehicle
Exhaust Manifolds	46	2 years
Throttle Body Spacers	46-3	2 years
Fluid Filters	44	90 days
Pre-Filters	28	2 years
Heavy Duty OE Replacement	70	2 years
PowerSports OE Replacement	81, 87	2 years
PowerSports Intake Systems	85	2 years

No other warranty expressed or implied applies nor is any person or advanced FLOW engineering authorized to assume any other warranty. Some States do not allow the exclusion or limitation of incidental or consequential damages or do not allow limitations on how long an implied warranty lasts, so the above limitations or exclusions may not apply to you. This warranty gives you specific legal rights, and you may also have other rights which vary from State to State.



advanced FLOW engineering, inc.
252 Granite Street Corona, CA 92879
TEL: 951.493.7155 • TECH: 951.493.7100
E-Mail: Tech@aFepower.com