

advanced FLOW engineering Quantum Cold Air Intake System

Instruction Manual P/N: 53-10020D / 53-10020R

Make: Toyota

Model: Tundra

Year: 2007-2020

Engine: V8-5.7L



- Please read the entire instruction manual before proceeding.
- Ensure all components listed are present.
- If you are missing any of the components, call customer support at 951-493-7185.
- Ensure you have all necessary tools before proceeding.
- Do not attempt to work on your vehicle when the engine is hot.
- Disconnect the negative battery terminal before proceeding.
- Retain factory parts for future use.

Label	Qty.	Description	Part Number
A1	1	Air Filter (Pro 5R)	23-91129
A2	1	Air Filter (Pro DRY S)	21-90098
B	1	Housing	05-5310020B2
C	1	Tube	05-5310020B1
D	1	Seal, Trim: 3/4" Bulb (16"L)	05-00007
E	1	Coupling, Silicone Bellow	05-01457
F	1	Coupling, Silicone	05-01280
G	1	Clamp, 080 (3-1/2" – 5-1/2")	03-50011
H	1	Clamp, 072 (3" – 5")	03-50010
I	2	Clamp, 052 (2-13/16" – 3-3/4")	03-50008
J	2	Screw, Torx: M4 x 0.7 x 8mm	03-50491
K	1	Hose, Silicone Breather, Black (18"L)	05-01396
L	1	Nipple, Brass: 1/8 NPT x 3/16"	03-50191

Installation will require the following tools:

8mm and 10mm nut drivers, 1/2" wrench or adjustable wrench, Phillips #2 and #3 Screwdrivers, T20 Torx driver, 10mm open face wrench.

Emissions Disclaimer: This product is not currently CARB exempt and is not available for purchase in California or for use on any vehicle registered with the California Department of Motor Vehicles.

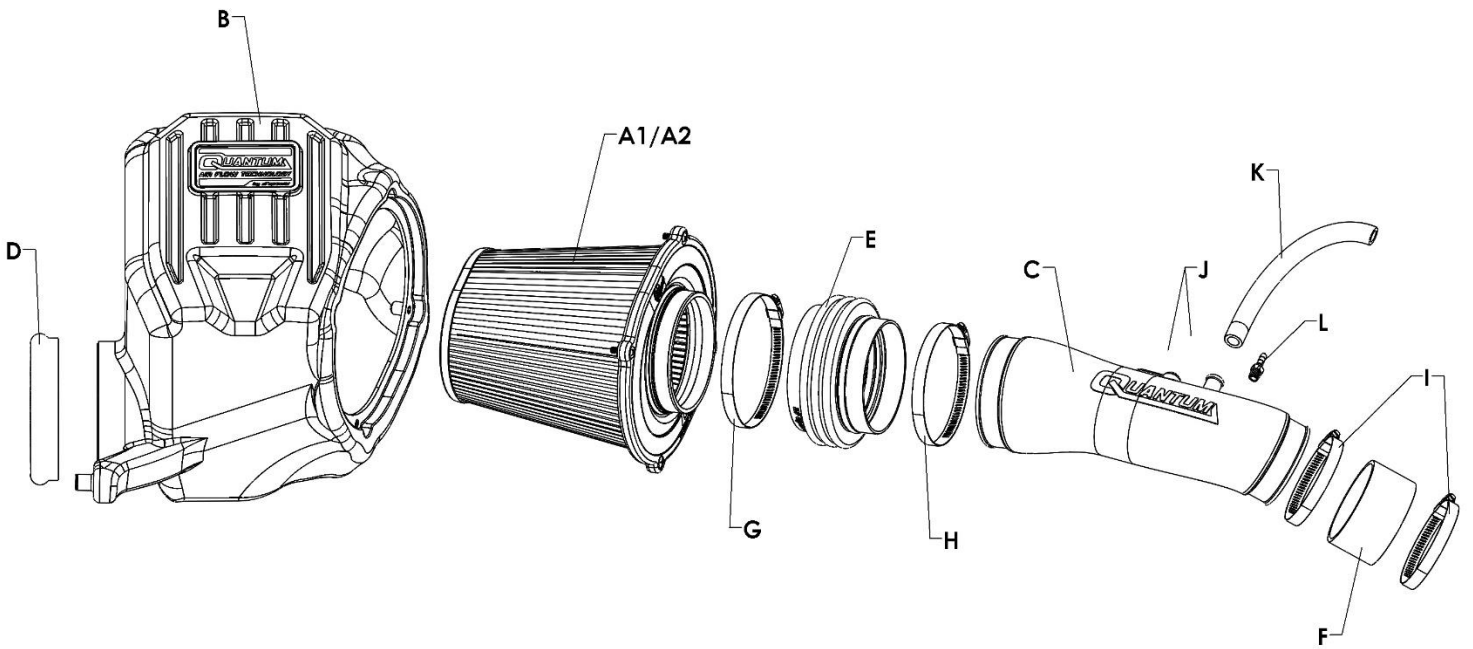




Figure A

Refer to Figure A for Step 1

Step 1: Remove the engine cover ① and set aside.



Figure B

Refer to Figure B for Steps 2-3

Step 2: Using a 10mm nut driver, loosen the clamps at the factory filter housing (2) and the throttle body (3).

Step 3: Disconnect the large CCV line (4) and the smaller vent line (5) from the back of the factory intake tube.

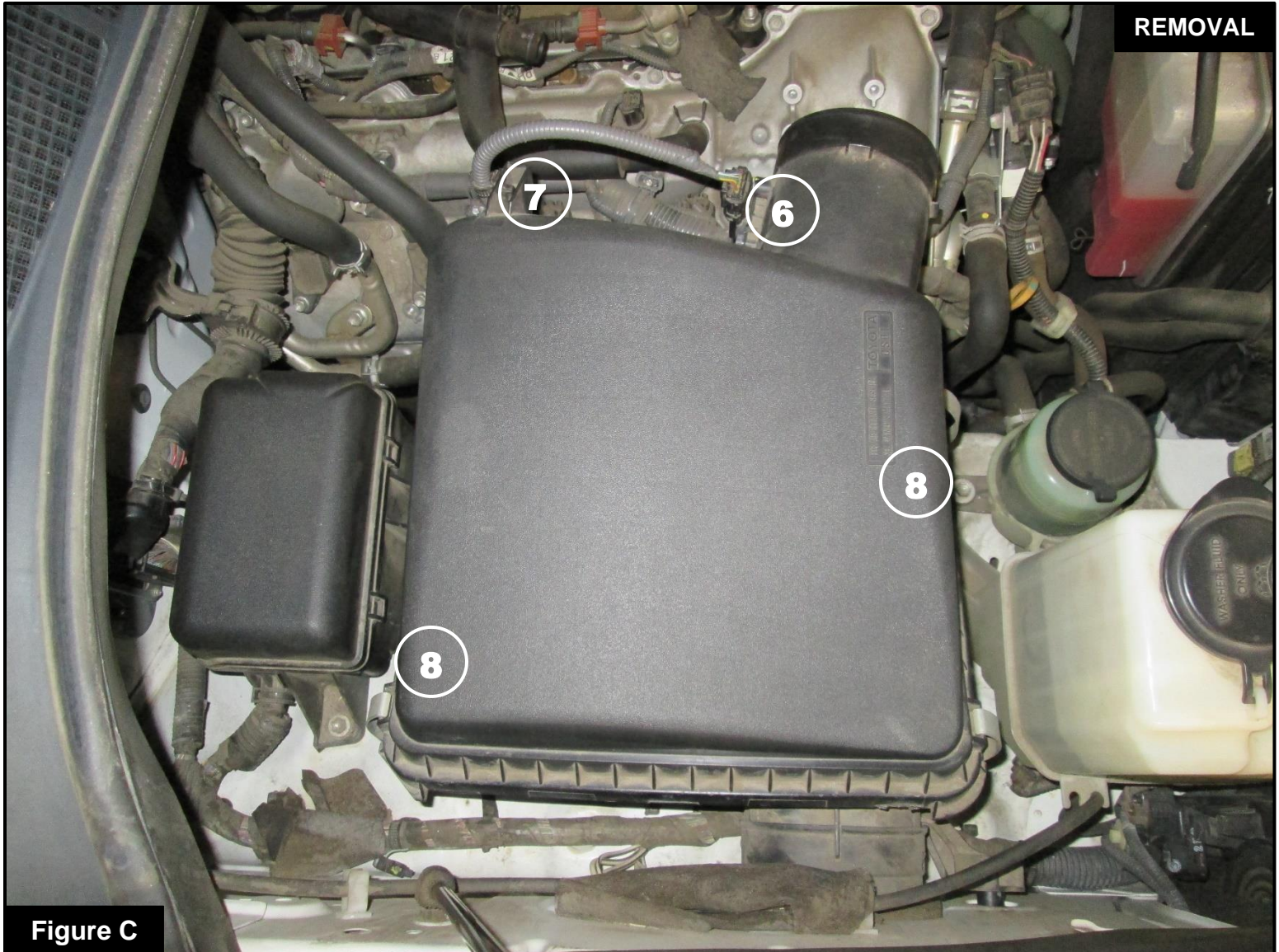


Figure C

Refer to Figure C for Steps 4-5

Step 4: Disconnect the MAF sensor wire harness from the sensor (6) and the factory filter housing (7).

Step 5: Using a 10mm nut driver, loosen the two screws (8) securing the factory filter housing to the vehicle.

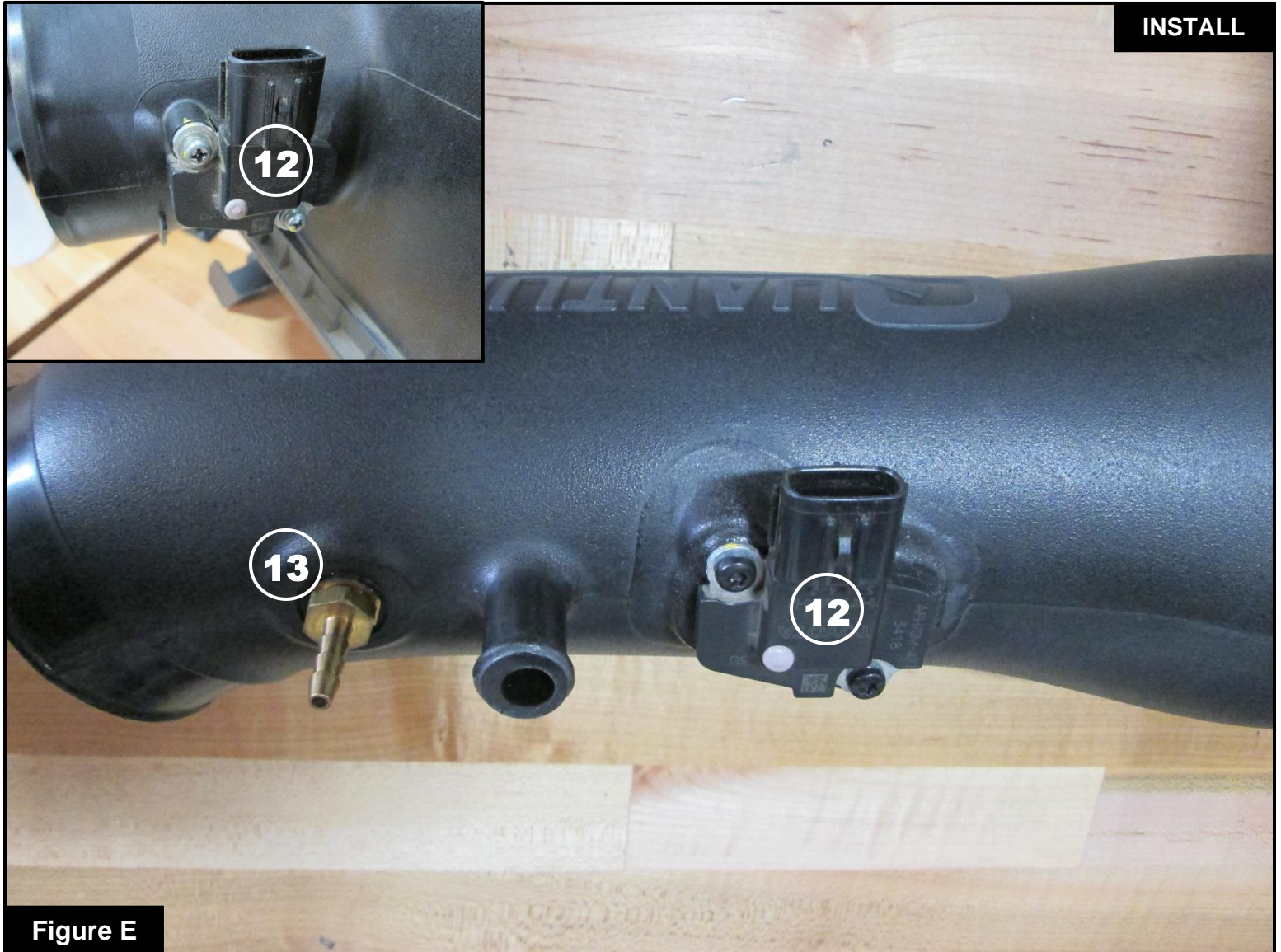
NOTE: The screws are captured in the factory grommets and will not be fully removed.

**Figure D****Refer to Figure D for Steps 6-8**

Step 6: Transfer two grommets with inserts (9) to your aFe Power housing.

Step 7: Transfer the factory grommet (10) from the fender mount on the factory filter housing to your aFe Power housing.

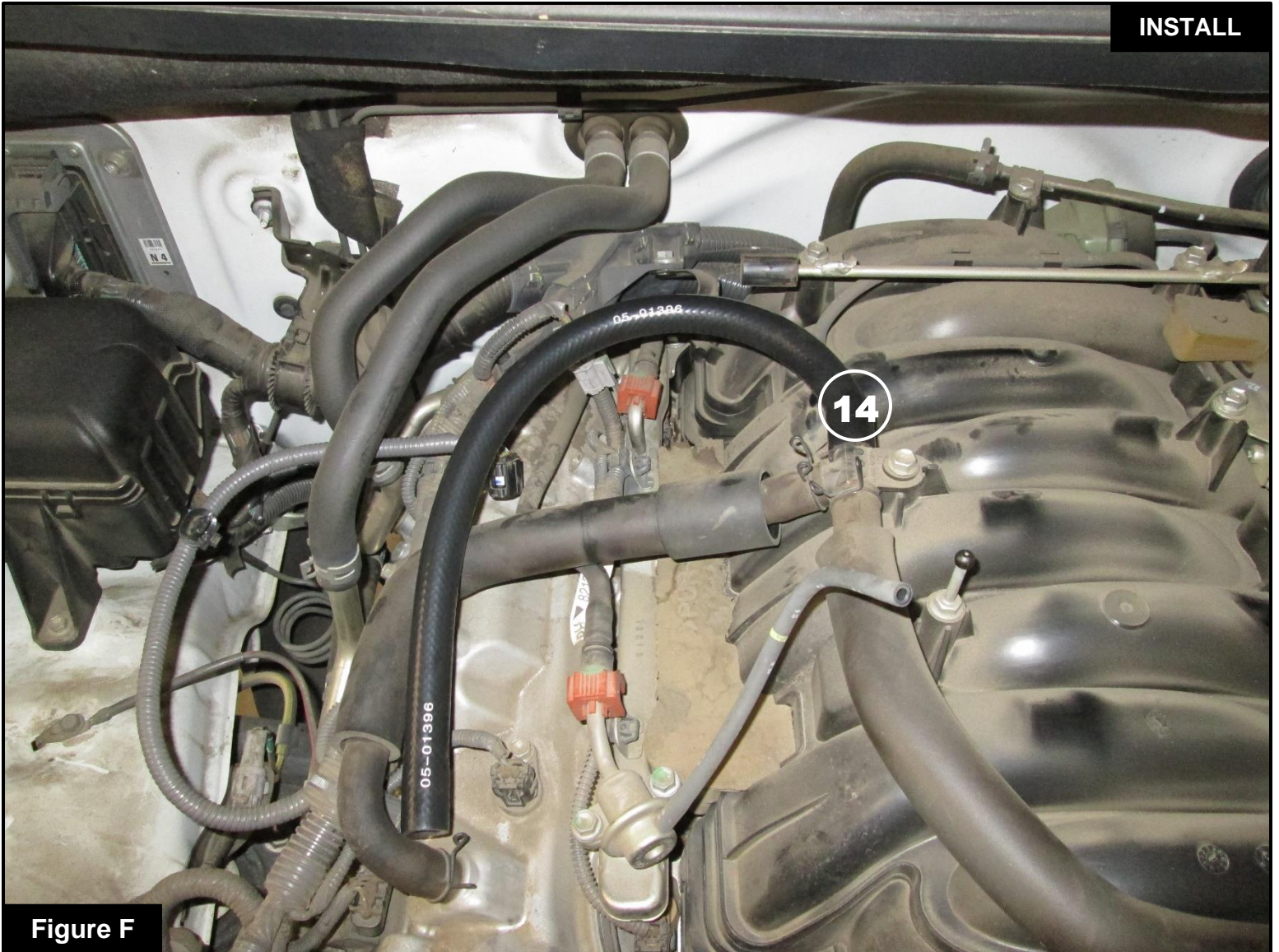
Step 8: Install the trim seal (11) on the air inlet on your aFe Power housing. Trim to fit.



Refer to Figure E for Steps 9-10

Step 9: Remove the MAF sensor (12) from the factory intake tube using a #2 Phillips screwdriver and install it into your aFe Power intake tube using the supplied screws. Tighten using a T20 Torx driver.

Step 10: Install the supplied NPT fitting (13) into your aFe Power intake tube and tighten using a 1/2" wrench or adjustable wrench. Do not overtighten the fitting – There will be exposed threads when tight.

**Figure F****Refer to Figure F for Step 11**

Step 11: Replace the factory vent line with the supplied length of silicone hose (14) as shown.

**Figure G****Refer to Figure G for Step 12**

Step 12: Install your aFe Power housing into the vehicle by inserting the side mounting grommet (15) into the mounting hole in the fender, then lining up the two screws with the bottom mounting points. Tighten the rear mounting screw (16) with an open face 10mm wrench and the front screw (17) with a 10mm nut driver.



Refer to Figure H for Step 13

Step 13: Install your aFe Power air filter (18) into your filter housing and secure in place using the four captive screws, tightening with a #3 Phillips screwdriver.

**Figure I****Refer to Figure I for Steps 14-15**

Step 14: Install the supplied bellows coupling (19) with the #080 clamp (20) onto the air filter as shown.

Tighten the clamp using an 8mm nut driver.

Step 15: Install the #072 clamp (21) loosely on the end of the coupler. Do not tighten.

**Figure J****Refer to Figure J for Steps 16-17**

Step 16: Install the supplied hump coupler (22) onto the throttle body with one of the #052 clamps (23).

Tighten using an 8mm nut driver.

Step 17: Install the remaining #052 clamp (24) loosely on the open end of the coupler. Do not tighten.

**Figure K****Refer to Figure K for Steps 18-21**

Step 18: Install your aFe Power intake tube into the vehicle by sliding the larger end into the bellow coupling at the air filter then the smaller end into the coupling at the throttle body.

Step 19: Using an 8mm nut driver, tighten the clamps at the air filter (25) and at the throttle body (26) .

Step 20: Reconnect the CCV line (27) and the valve cover vent line (28) to the intake tube.

Step 21: Reconnect the MAF sensor (29) .

**Figure J****Refer to Figure J for Steps 22-23**

Step 22: Reinstall your engine cover (30).

Step 23: Check all the components are tight and secure. Your intallation is now complete. Thank you for choosing aFe POWER!

NOTE: Check all screws, clamps, and connectors are secure after 100-200 miles.



Page left blank intentionally



Page left blank intentionally

Pro DRY S Air Filter Inv.



P/N: 21-91129

Pro 5R Air Filter Inv.



P/N: 23-91129

Pro-GUARD 7 Air Filter Inv.



P/N: 72-91129

Pro DRY S Air Filter



P/N: 21-90098

Pro DRY S Restore Kit



P/N: 90-59999

Blue Squeeze Restore Kit



P/N: 90-50501

Gold Squeeze Restore Kit



P/N: 90-50500

Pre-Filter



P/N: 28-10423

SCORCHER PRO Tune



P/N: 77-36001

Sprint Booster



P/N: 77-16507

Silver Bullet TBS



P/N: 46-38005

Cat-Back Exhaust System



P/N: 46-34016



To purchase any of the items above, view airflow charts, dyno graphs, photos, and video; please go to aFepower.com.

Warranty

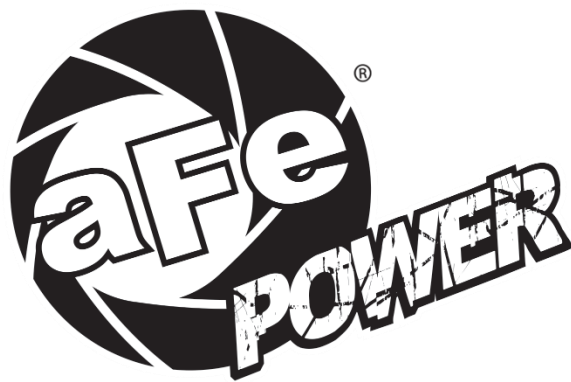
General Terms:

- aFe warrants their products to be free from manufacturer’s defects due to workmanship and material.
- This warranty applies only to the original purchaser of the product and is non-transferrable.
- Proof of purchase of the aFe product is required for all warranty claims.
- Warranty is valid provided aFe instructions for installation and/or cleaning were properly followed.
- Proper maintenance with regular inspections of product is required to insure warranty coverage.
- Damage due to improper installation, abuse, unauthorized repair or alteration is not warranted.
- Incidental or consequential damages or cost, including installation and removal of part, incurred due to failure of aFe product is not covered under this warranty.
- All warranty is limited to the repair and/or replacement of the aFe part. To request Return Goods Authorization (“RGA”), email RGA@aFepower.com or call (951)493-7100. Upon receipt of the RGA, you must return the product to the address provided in the RGA, freight prepaid and accompanied with a dated proof of purchase and the RGA. Upon receipt of the defective product and upon verification of proof of purchase, aFe will either repair or replace the defective product within a reasonable time, not to exceed thirty days.

Product Category	P/N Prefix	Warranty duration
Direct OE Replacement Filters	10, 11, 30, 31, 71, 73	Life of the vehicle
Racing Filters	18	1 year
Universal	20, 21, 23, 24, 72, TF	2 years
Air Intake Systems	50, 51, 53, 54, 55, 56, 57, 58, 75, TR, TA, TL, TM	2 years
Exhaust Systems	49	2 years
Intercoolers & Intercooler Tubes	46-2	2 years
Intake Manifolds	46-1	2 years
Differential Cover	46-7	Life of the vehicle
Exhaust Manifolds	46	2 years
Throttle Body Spacers	46-3	2 years
Turbochargers	46-6	2 years*
Fluid Filters	44	90 days
Pre-Filters	28	2 years
Heavy Duty OE Replacement	70	2 years
PowerSports OE Replacement	81, 87	2 years
PowerSports Intake Systems	85	2 years

No other warranty expressed or implied applies nor is any person or advanced FLOW engineering authorized to assume any other warranty. Some States do not allow the exclusion or limitation of incidental or consequential damages or do not allow limitations on how long an implied warranty lasts, so the above limitations or exclusions may not apply to you. This warranty gives you specific legal rights, and you may also have other rights which vary from State to State.

*See turbocharger warranty for more info



advanced FLOW engineering, inc.

252 Granite Street Corona, CA 92879
TEL: 951.493.7100 • TECH: 951.493.7185
E-Mail: Tech@aFepower.com

P/N: 06-81311