

QUANTUMTM

advanced FLOW engineering Quantum Cold Air Intake System

Instruction Manual P/N: 53-10021D / 53-10021R

Make: Ford

Model: Ranger

Year: 2019-2023

Engine: L4-2.3L (t)



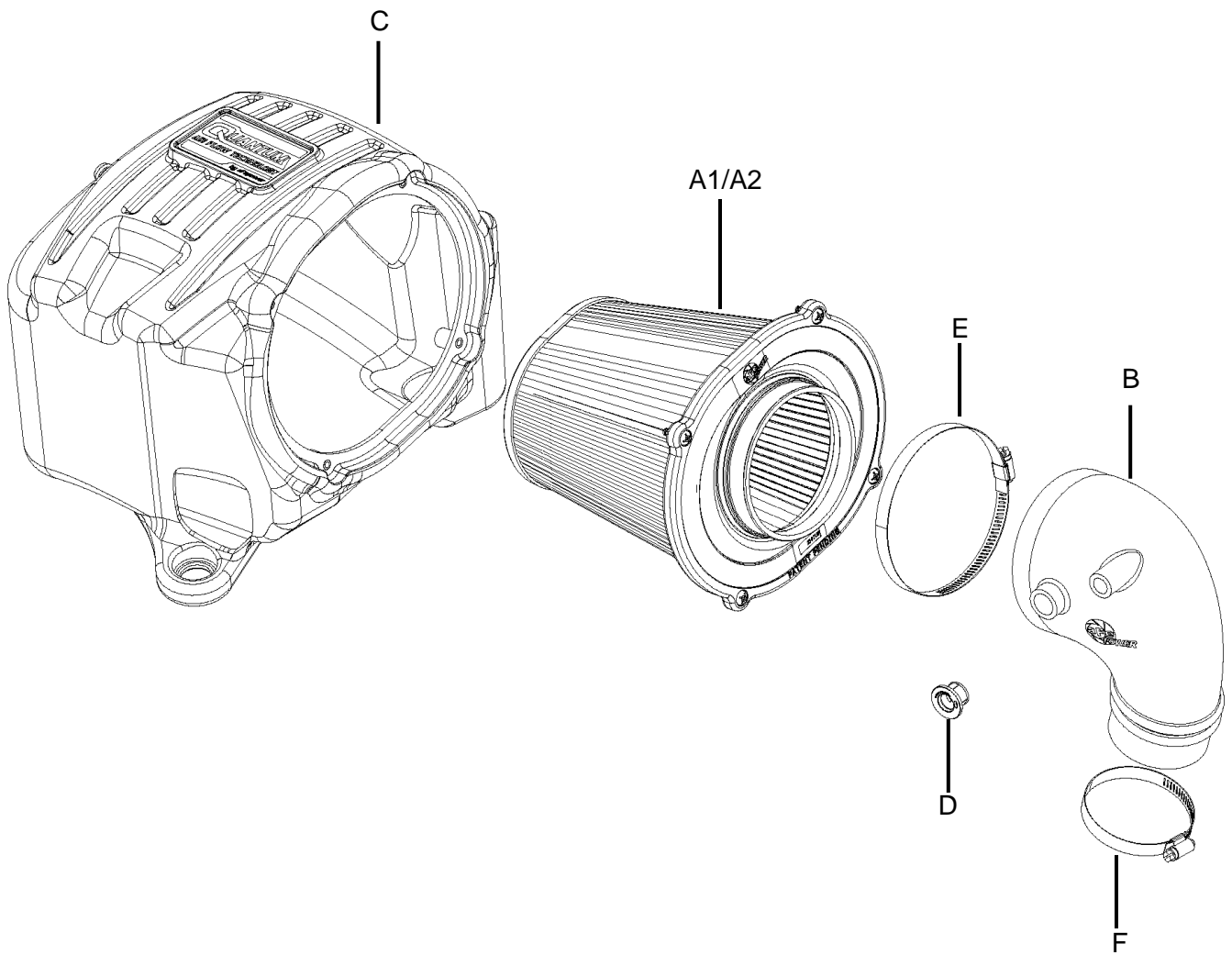
- Please read the entire instruction manual before proceeding.
- Ensure all components listed are present.
- If you are missing any of the components, call customer support at 951-493-7100.
- Ensure you have all necessary tools before proceeding.
- Do not attempt to work on your vehicle when the engine is hot.
- Disconnect the negative battery terminal before proceeding.
- Retain factory parts for future use.

Label	Qty.	Description	Part Number
A1	1	Air Filter (Pro 5R)	23-91129
A2	1	Air Filter (Pro DRY S)	21-90098
B	1	Tube	05-5310021B1
C	1	Housing	05-5310021B2
D	1	Adaptor, Air Temp Sensor	05-01454
E	1	Clamp, 080 (3-1/2" – 5-1/2")	03-50011
F	1	Clamp, 048 (2-9/16" - 3-1/2")	03-50007

Installation will require the following tools:

Panel clip remover, 7mm & 8mm nut drivers, T-30 Torx driver, Phillips #3 screwdriver, small flat-head screwdriver, 8mm socket, extension, and driver.

Emissions Disclaimer: This product is not currently CARB exempt and is not available for purchase in California or for use on any vehicle registered with the California Department of Motor Vehicles.





Refer to Figure A for Steps 1-4

Step 1: Using a panel clip remover, remove the coolant line ① attached to the upper intake tube.

Step 2: Disconnect the vent hose ② from the upper intake tube .

Step 3: Disconnect the air temperature sensor ③.

Step 4: Using a 7mm nut driver, loosen the clamps ④ attaching the upper intake tube. Remove the intake tube and set aside.



Refer to Figure B for Steps 5-6

Step 5: Using the clip remover, remove the two clips (5) holding down the air temperature sensor wire harness.

Step 6: Using a T30 torx drive, remove the two screws (6) holding down the air scoop (7). Remove the scoop and set aside.



Figure C

Refer to Figure C for Steps 7-8

Step 7: Using an 8mm socket, extension & driver, remove the two screws ⑧ holding down the stock housing.

Step 8: Remove the stock housing by lifting up and to the side to clear the side pin mount of the housing.



INSTALL

Figure D

Refer to Figure D for Steps 9-11

Step 9: Using a small flat-head screwdriver, pry open the small clamp (9) to remove the vent fitting (10) from the stock upper intake tube. Install the vent fitting into the aFe POWER intake tube.

Step 10: Remove the air temperature sensor (11) from the stock housing by gently lifting on the small plastic release tab and rotating a quarter turn counterclockwise and gently pulling outward.

Step 11: Install the provided air temperature sensor adaptor (12) into the aFe POWER intake tube and install the sensor into the adaptor by rotating a quarter turn clockwise to lock it into place.



Figure E

Refer to Figure E for Step 12

Step 12: Remove the pin grommet (13) and the two metal inserts and grommets (14) from the stock housing and install them onto the aFe POWER housing.



Figure F

Refer to Figure F for Step 13

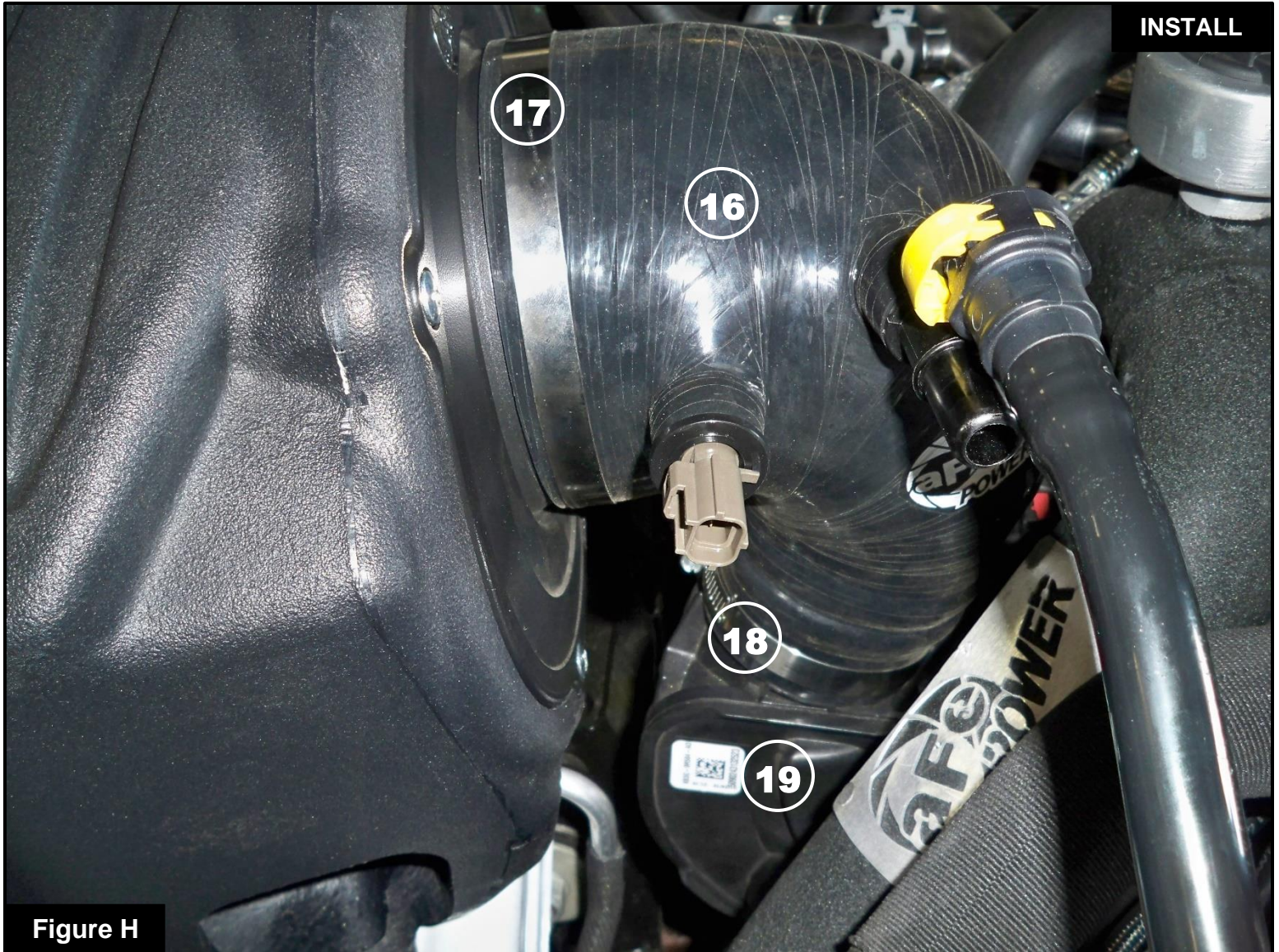
Step 13: Install the aFe POWER housing in the truck by sliding the side pin mount into the side panel hole and using the two screws (15) removed in step 7.



Figure G

Refer to Figure G for Step 14

Step 14: Slide the aFe POWER filter into the aFe POWER housing. Install the aFe POWER filter using a #3 Phillips screwdriver. Tighten all four screws.

**Figure H****Refer to Figure H for Steps 15-16**

Step 15: Install the aFe POWER intake tube assembly (16) using the #080 clamp (17) at the filter and the #048 clamp (18) at the stock lower intake tube (19).

Step 16: Align and tighten both clamps.

**Figure I****Refer to Figure I for Steps 17-20**

Step 17: Reinstall the air scoop using the two screws ②① removed in step 6.

Step 18: Reconnect the air temperature sensor ②①.

Step 19: Reconnect the vent hose ②②.

Step 20: Check all the components are tight and secure. Your installation is now complete. Thank you for choosing aFe POWER!

NOTE: Check all screws, clamps, and connectors are secure after 100-200 miles.



Page left blank intentionally



Pro DRY S Air Filter Inv.



P/N: 21-91129

Pro 5R Air Filter Inv.



P/N: 23-91129

Pro-GUARD 7 Air Filter Inv.



P/N: 72-91129

Pro DRY S Air Filter



P/N: 21-90098

Pro DRY S Restore Kit



P/N: 90-59999

Blue Squeeze Restore Kit



P/N: 90-50501

Gold Squeeze Restore Kit



P/N: 90-50500

Pre-Filter



P/N: 28-10423

SCORCHER PRO Tune



P/N: 77-340100

Differential Cover



P/N: 46-71170A (Raw)
46-71170B (Black)

Cat-Back Exhaust System



P/N: 49-33110-B (Blk. Tips)
49-33110-P (Pol. Tips)

Cat-Back Exhaust System



P/N: 49-33111-B (Blk. Tips)
49-33111-P (Pol. Tips)



To purchase any of the items above, view airflow charts, dyno graphs, photos, and video; please go to aFepower.com.

Warranty

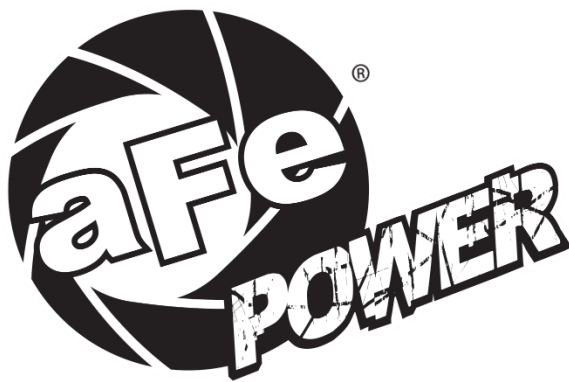
General Terms:

- aFe warrants their products to be free from manufacturer’s defects due to workmanship and material.
- This warranty applies only to the original purchaser of the product and is non-transferrable.
- Proof of purchase of the aFe product is required for all warranty claims.
- Warranty is valid provided aFe instructions for installation and/or cleaning were properly followed.
- Proper maintenance with regular inspections of product is required to insure warranty coverage.
- Damage due to improper installation, abuse, unauthorized repair or alteration is not warranted.
- Incidental or consequential damages or cost, including installation and removal of part, incurred due to failure of aFe product is not covered under this warranty.
- All warranty is limited to the repair and/or replacement of the aFe part. To request Return Goods Authorization (“RGA”), email RGA@aFepower.com or call (951)493-7100. Upon receipt of the RGA, you must return the product to the address provided in the RGA, freight prepaid and accompanied with a dated proof of purchase and the RGA. Upon receipt of the defective product and upon verification of proof of purchase, aFe will either repair or replace the defective product within a reasonable time, not to exceed thirty days.

Product Category	P/N Prefix	Warranty duration
Direct OE Replacement Filters	10, 11, 30, 31, 71, 73	Life of the vehicle
Racing Filters	18	1 year
Universal	20, 21, 23, 24, 72, TF	2 years
Air Intake Systems	50, 51, 53, 54, 55, 56, 57, 58, 75, TR, TA, TL, TM	2 years
Exhaust Systems	49	2 years
Intercoolers & Intercooler Tubes	46-2	2 years
Intake Manifolds	46-1	2 years
Differential Cover	46-7	Life of the vehicle
Exhaust Manifolds	46	2 years
Throttle Body Spacers	46-3	2 years
Turbochargers	46-6	2 years*
Fluid Filters	44	90 days
Pre-Filters	28	2 years
Heavy Duty OE Replacement	70	2 years
PowerSports OE Replacement	81, 87	2 years
PowerSports Intake Systems	85	2 years

No other warranty expressed or implied applies nor is any person or advanced FLOW engineering authorized to assume any other warranty. Some States do not allow the exclusion or limitation of incidental or consequential damages or do not allow limitations on how long an implied warranty lasts, so the above limitations or exclusions may not apply to you. This warranty gives you specific legal rights, and you may also have other rights which vary from State to State.

*See turbocharger warranty for more info



advanced FLOW engineering, inc.

252 Granite Street Corona, CA 92879
TEL: 951.493.7100 • TECH: 951.493.7185
E-Mail: Tech@aFepower.com

P/N: 06-81237