

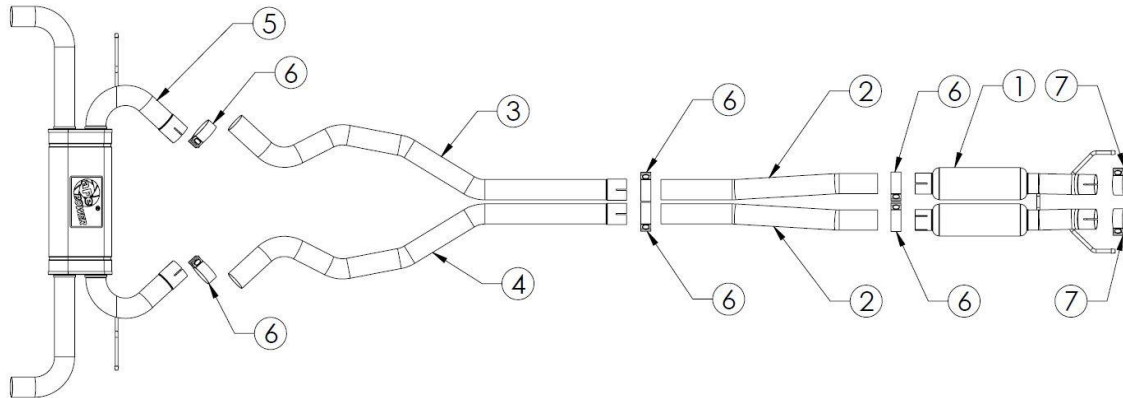


INSTALLATION INSTRUCTIONS

Cat-Back Exhaust

49-33133

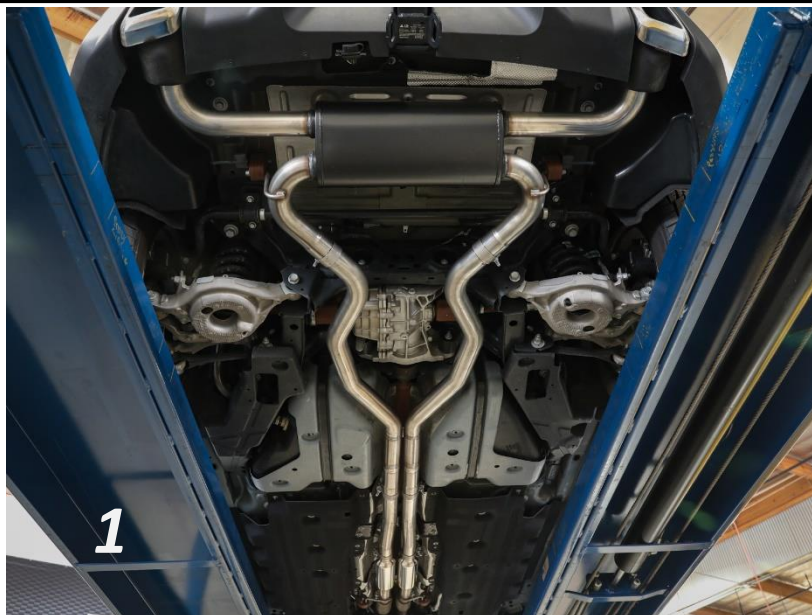
MAKE: Ford
 MODEL: Edge ST
 YEAR: 2015-2023
 ENGINE: V6-2.7L (tt)



Item	Description	Part Number	Quantity
1	Resonator Assembly	05-245144	1
2	Mid-Pipe	05-245145	2
3	Rear Tube, Left	05-245146	1
4	Rear Tube, Right	05-245147	1
5	Muffler Assembly	05-245148	1
6	Band Clamp, 2 1/2"	05-41061	6
7	Band Clamp, 2 1/4"	05-41210	2

aFe POWER recommends professional installation on this product. Thoroughly inspect the aFe POWER exhaust system to make sure there is no damage from shipping (if damage is noted, immediately contact aFe POWER customer service). Allow time for your vehicle to cool down prior to installation. When working on your vehicle proceed with caution. Wear protective safety equipment; eye goggles and gloves to ensure a safe installation.

Install band clamps to proper torque specifications of 40-45 ft-lb.





INSTALLATION INSTRUCTIONS

Cat-Back Exhaust

MAKE: Ford
MODEL: Edge Sport, Edge ST
YEAR: 2015-2022
ENGINE: V6-2.7L (tt)

49-33133

-
1. **(Read instructions prior to installation.)** It is recommended to not fully tighten the exhaust until it has been fully installed. Leave loose for adjustability.
 2. Secure vehicle on jack stands (refer to your manual for specified jack stand positions).
 3. For faster installation, spread out the parts of the exhaust alongside your vehicle as shown in the diagram above.
 4. Secure the stock exhaust with jack/stands.
 5. Loosen the band clamps on the front for the OE exhaust system.
 6. Remove the four (4) OE hangers from the rubber isolators and remove the OE exhaust system.
 7. Install the provided 2 ¼" band clamps over the front of the resonator assembly and slide it onto the vehicle.
 8. Install the hangers on the resonator assembly onto the front rubber isolators.
 9. Install two 2 ½" band clamps onto the rear of the resonator assembly, then install the two mid-pipes. The shorter straight section will slide into the resonators.
 10. Install two 2 ½" clamps on the muffler assembly, then install the right and left rear tubes onto the muffler assembly.
 11. Install Two 2 ½" clamps over the rear tubes.
 12. Slide the rear tubes onto the mid-pipes and install the muffler hangers into the rubber isolators.
 13. Ensure that all the components of the aFe POWER exhaust system are aligned and are at a safe clearance from all wires, hoses, brake lines, body parts, and tires.
 14. Start from the front of the aFe POWER exhaust system and evenly tighten all clamps and fasteners.
 15. Start the vehicle and check for any leaks. If any leaks are found, determine cause and repair as necessary.
 16. Remove vehicle from jacks stands.
 17. It is recommended to re-tighten all clamps and hardware after 50-100 miles.